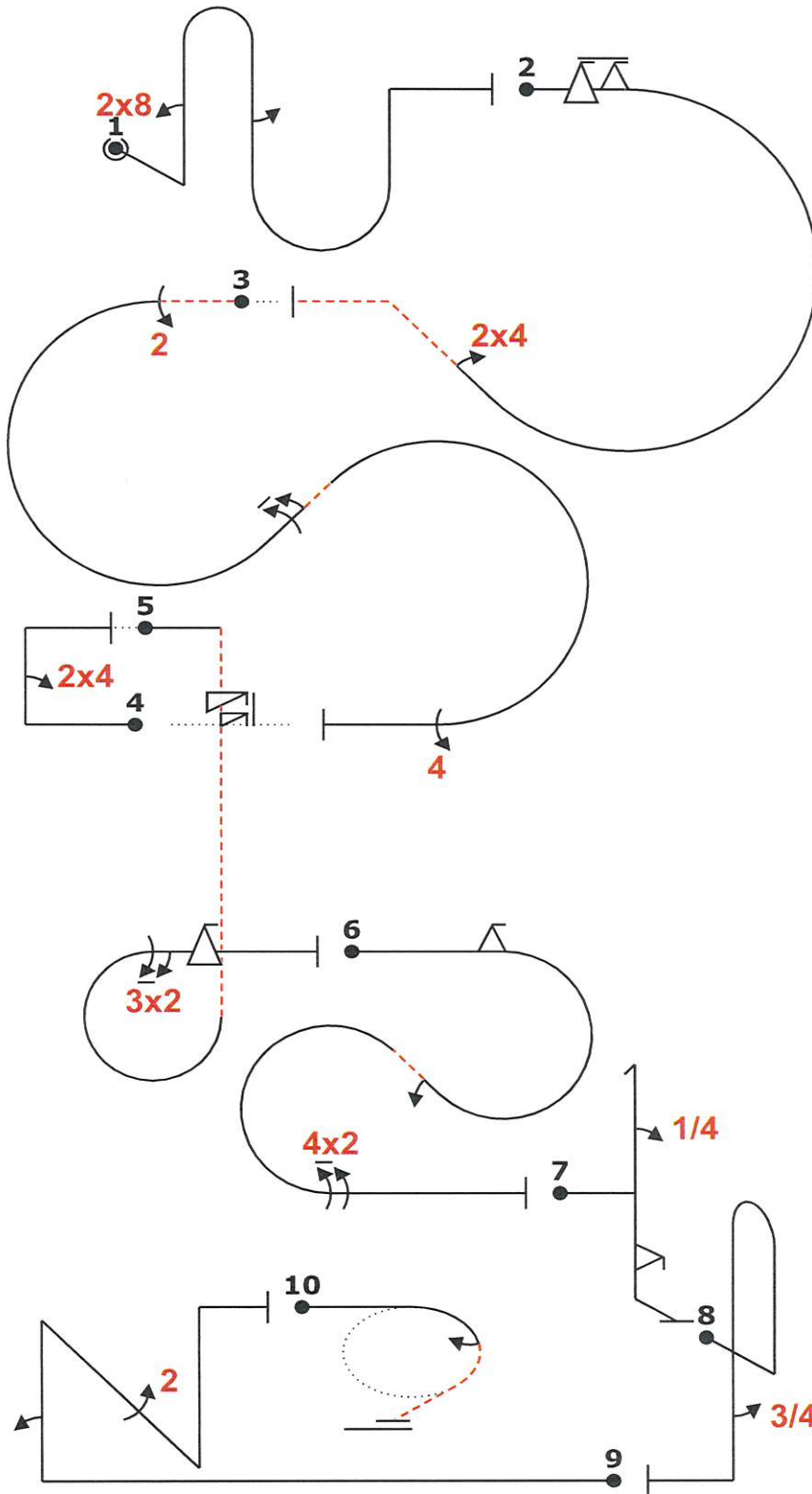




## FREE KNOWN SEQUENCE SET

USE ONLY FOR STUDY PURPOSES



ej "@C" /8.bb(.....2) "@A" 18% .....6fic",24" .....(1,0) 12% .....22iac("6")44+  
 (-7,0) ~mV",24~ (-2,0) "@B" 6s....'irp,32,f 3% .....2fiac("2")42+ ..... "@E" ,4h2f b..3+ "  
 @D" ~m+++++2pn(22') /1j5-

Fig	Grade	Pos	Remarks
1	.		
2	.		
3	.		
4	.		
5	.		
6	.		
7	.		
8	.		
9	.		
10	.		

Positioning	30	.
-------------	----	---

Too Low		Trg Violation	
Too High		Wing Rocks	
Interruptions		Disqual Fig	
Insertions		Other(note...)	

Fig 1 C	K	Fig 2 A	K	Fig 3	K	Fig 4	K	Fig 5 B	K	Fig 6	K	Fig 7 E	K	Fig 8	K	Fig 9 D	K	Fig 10	K
8.8.2.1	19	8.5.8.3	11	7.5.2.4	15	1.1.6.1	10	8.6.4.3	13	7.5.5.3	15	5.2.1.1	17	8.4.1.1	13	1.3.13.1	22	2.1.2.1	14
9.8.1.1	7	9.9.3.6	14	9.2.3.4	9	9.4.1.2	9	9.11.1.6	3	9.9.3.2	11	9.1.1.1	6	9.1.5.3	6	9.1.1.2	8		
9.1.5.2	4	9.4.2.2	7	9.1.2.6	12			9.2.3.6	12	9.1.2.2	6	9.9.5.2	11			9.2.4.4	9		
	30		32	9.4.3.4	11		19	9.9.3.4	11	9.2.3.8	15				39				14

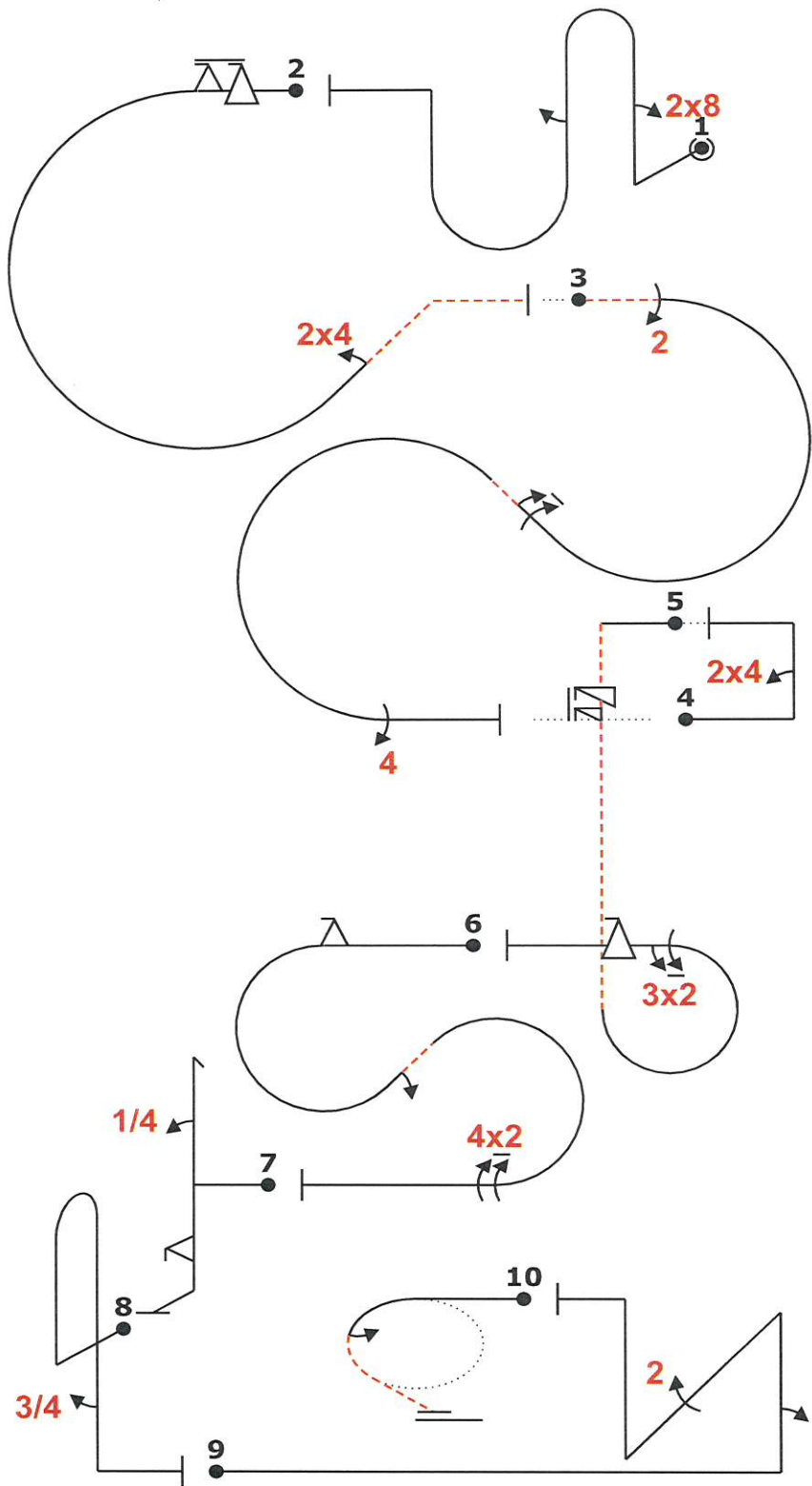


Fig	Grade	Pos	Remarks
1	.		
2	.		
3	.		
4	.		
5	.		
6	.		
7	.		
8	.		
9	.		
10	.		

Positioning  
30 .

Too Low		Trg Violation	
Too High		Wing Rocks	
Interruptions		Disqual Fig	
Insertions		Other(note...)	

ej "@C" /8.bb("2) "@A" 18% "6fic" ,24 (1,0) 12% "22iac("6")44+  
(-7,0) ~v ,24 ~ (-2,0) "@B" 6s... 'irp,32,f 3% "2fiac("2')42+ "@E" ,4h2f b..3+ "  
@0" ~+++++2pn(22') /1j5-

Fig 1 C	K	Fig 2 A	K	Fig 3	K	Fig 4	K	Fig 5 B	K	Fig 6	K	Fig 7 E	K	Fig 8	K	Fig 9 D	K	Fig 10	K
8.8.2.1	19	8.5.8.3	11	7.5.2.4	15	1.1.6.1	10	8.6.4.3	13	7.5.5.3	15	5.2.1.1	17	8.4.1.1	13	1.3.13.1	22	2.1.2.1	14
9.8.1.1	7	9.9.3.6	14	9.2.3.4	9	9.4.1.2	9	9.11.1.6	3	9.9.3.2	11	9.1.1.1	6	9.1.5.3	6	9.1.1.2	8		
9.1.5.2	4	9.4.2.2	7	9.1.2.6	12			9.2.3.6	12	9.1.2.2	6	9.9.5.2	11			9.2.4.4	9		
	30		32	9.4.3.4	11		19	9.9.3.4	11	9.2.3.8	15		34		19		39		14

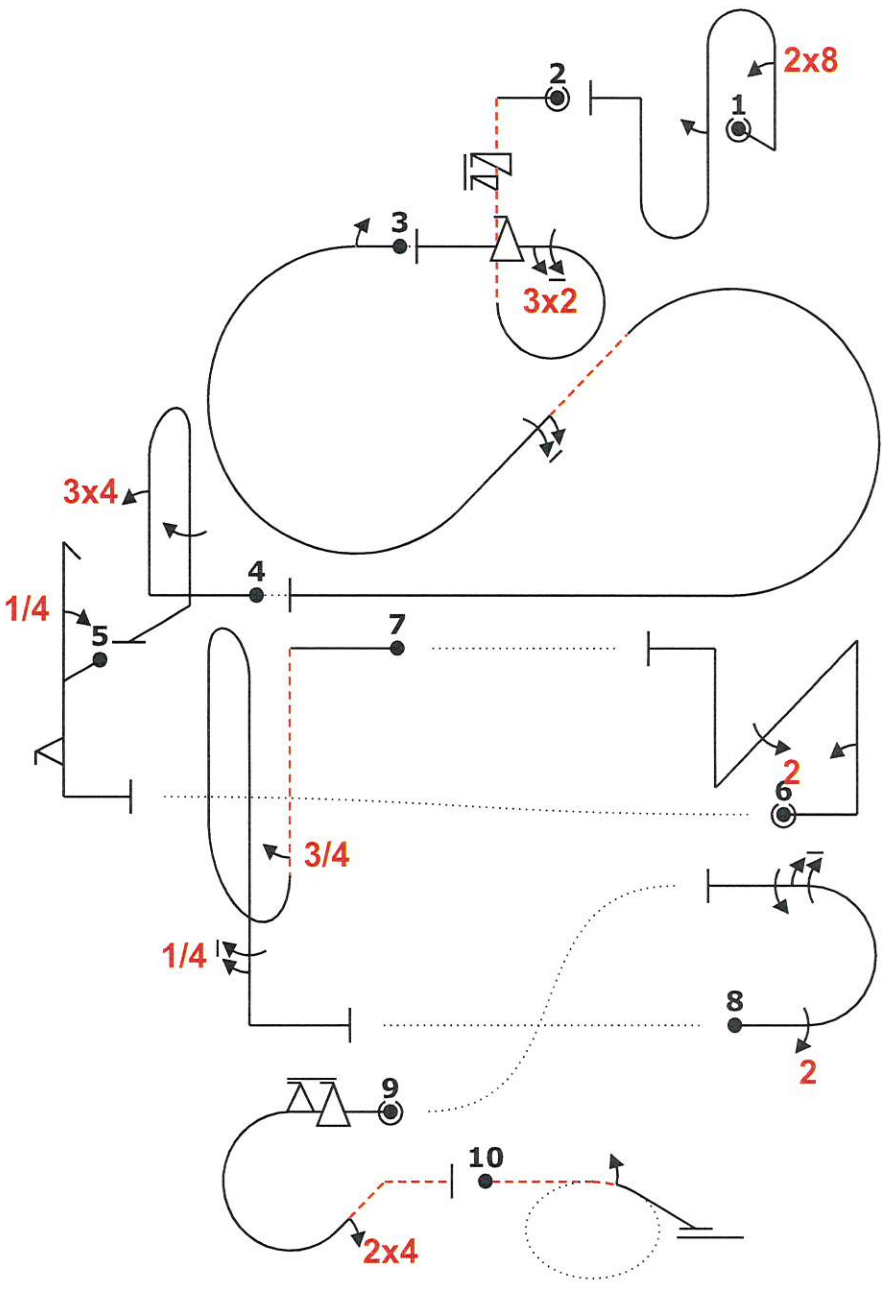


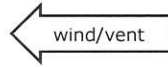
Fig	Grade	Pos	Remarks
1	.		
2	.		
3	.		
4	.		
5	.		
6	.		
7	.		
8	.		
9	.		
10	.		

Positioning  
**30**

Too Low		Trg Violation	
Too High		Wing Rocks	
Interruptions		Disqual Fig	
Insertions		Other(note...)	

ej "@C" ..... +, "l" 8bb(..... 2)+ ..... eu "@B" -2% 6sirp,32,f (-3,0) 12% ..... 2iac(6)+ ..... (-2,0) /,34b1 "@  
E" + "l" 4h2f (-35,1) ed "@D" /,2pn(,22) ..... (11,0) ..... "l" 3iBb(.....) ..... '5' (-19,0) 22m6,1 (15,13) eu "@A"  
6fic ..... 24' ..... -1jo5

Fig 1 C	K	Fig 2 B	K	Fig 3	K	Fig 4	K	Fig 5 E	K	Fig 6 D	K	Fig 7	K	Fig 8	K	Fig 9 A	K	Fig 10	K
8.8.2.1	19	8.6.4.3	13	7.5.5.3	15	8.4.1.1	13	5.2.1.1	17	1.3.13.1	22	8.8.8.3	19	7.2.2.1	6	8.5.8.3	11	2.1.2.4	15
9.8.1.1	7	9.11.1.6	3	9.1.3.2	4	9.4.1.3	12	9.1.1.1	6	9.1.1.2	8	9.1.5.3	6	9.2.3.4	9	9.9.3.6	14		
9.1.5.2	4	9.2.3.6	12	9.1.2.6	12	9.1.5.4	8	9.9.5.2	11	9.2.4.4	9	9.1.5.5	9	9.1.3.6	10	9.4.2.2	7		
	<b>30</b>	9.9.3.4	11		<b>31</b>		<b>33</b>		<b>34</b>		<b>39</b>		<b>34</b>		<b>33</b>		<b>32</b>		<b>15</b>



**R**

Figure K  
320  
Total K  
350

Judges Name	
Signature	Number

Flight #  
**WU 2**

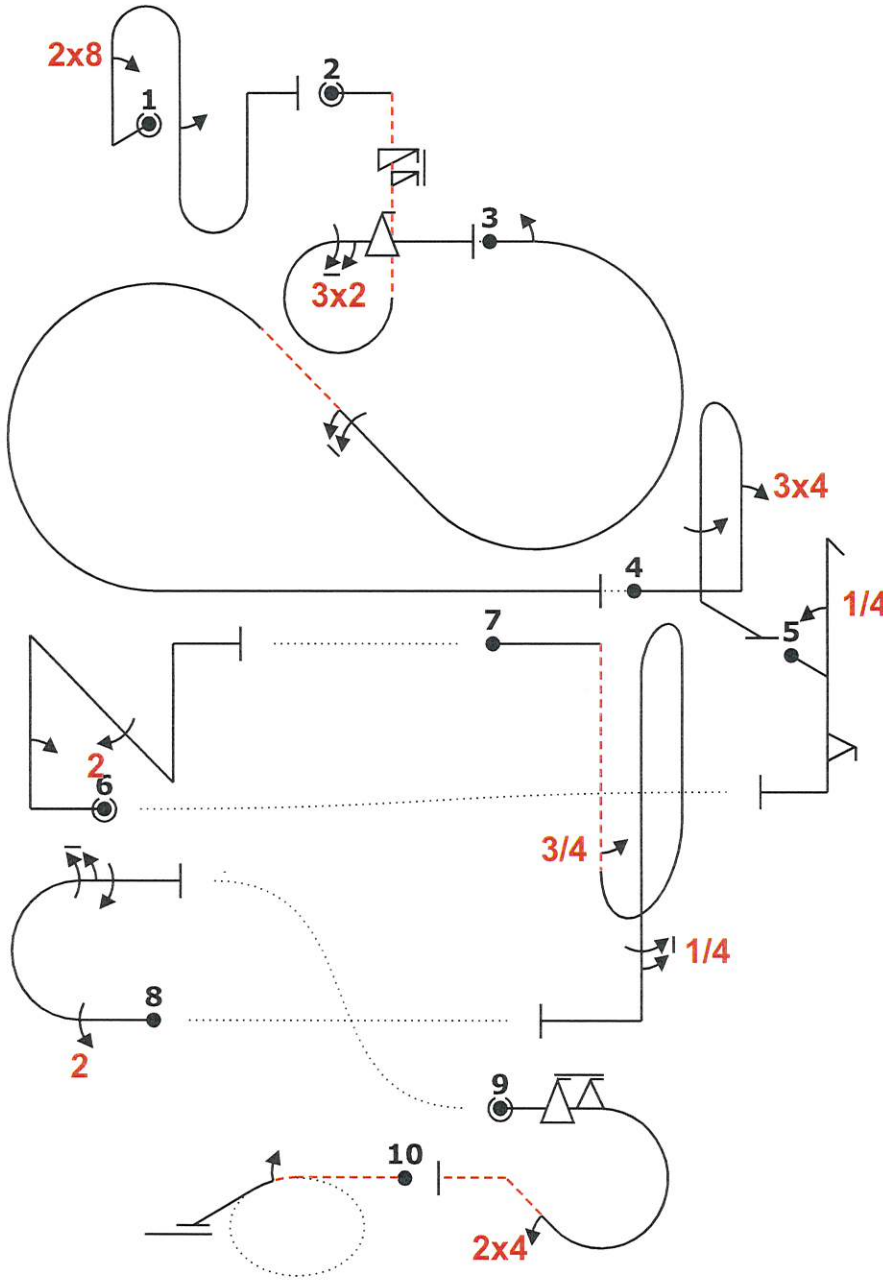


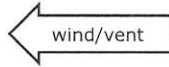
Fig	Grade	Pos	Remarks
1	.		
2	.		
3	.		
4	.		
5	.		
6	.		
7	.		
8	.		
9	.		
10	.		

Positioning  
30 .

Too Low		Trg Violation	
Too High		Wing Rocks	
Interruptions		Disqual Fig	
Insertions		Other(note...)	

ej "@C" +, "8bb( 2)+ eu "@B" -2% 6sirr,32,f (-3,0) 12% ..... 2iac(6)+ ..... (-2,0) /,34b1 "E" +|"4h2f (-35,1) ed "@D" /,2pn(,22) (11,0) ...|"31bb(.....).....'5' (-19,0) 22m6,1 (15,13) eu "@A" ..... 6fic 24 -1jo5

Fig 1 C	K	Fig 2 B	K	Fig 3	K	Fig 4	K	Fig 5 E	K	Fig 6 D	K	Fig 7	K	Fig 8	K	Fig 9 A	K	Fig 10	K
8.8.2.1	19	8.6.4.3	13	7.5.5.3	15	8.4.1.1	13	5.2.1.1	17	1.3.13.1	22	8.8.8.3	19	7.2.2.1	6	8.5.8.3	11	2.1.2.4	15
9.8.1.1	7	9.11.1.6	3	9.1.3.2	4	9.4.1.3	12	9.1.1.1	6	9.1.1.2	8	9.1.5.3	6	9.2.3.4	9	9.9.3.6	14		
9.1.5.2	4	9.2.3.6	12	9.1.2.6	12	9.1.5.4	8	9.9.5.2	11	9.2.4.4	9	9.1.5.5	9	9.1.3.6	10	9.4.2.2	7		
		9.9.3.4	11											9.1.3.4	8				
	<b>30</b>		<b>39</b>		<b>31</b>		<b>33</b>		<b>34</b>		<b>39</b>		<b>34</b>		<b>33</b>		<b>32</b>		<b>15</b>



**R**

Figure K  
320  
Total K  
350

Judges Name	
Signature	Number

Flight #  
**1**

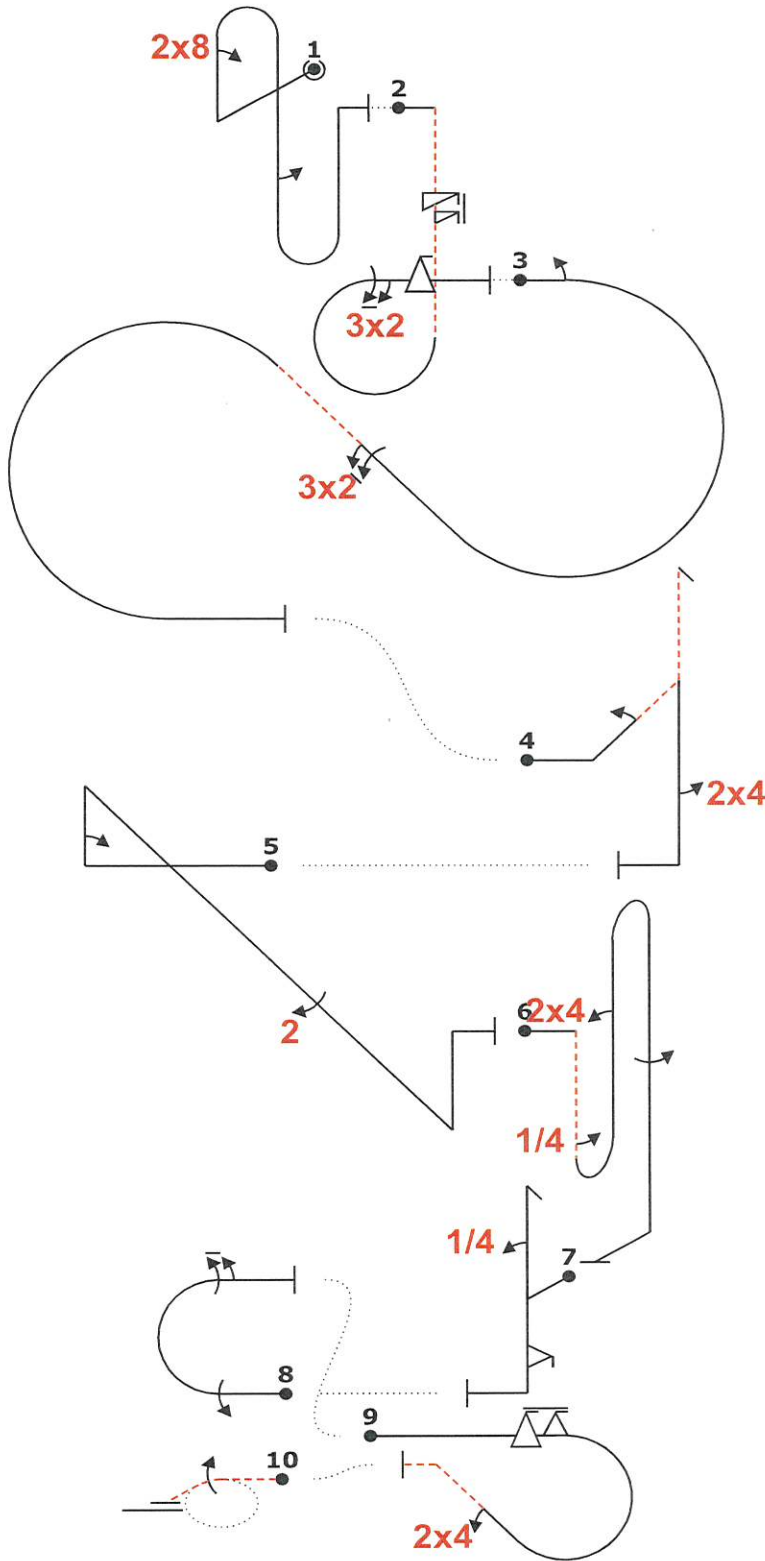


Fig	Grade	Pos	Remarks
1	.		
2	.		
3	.		
4	.		
5	.		
6	.		
7	.		
8	.		
9	.		
10	.		

Positioning  
30

Too Low		Trg Violation	
Too High		Wing Rocks	
Interruptions		Disqual Fig	
Insertions		Other(note...)	

ej "@C" ~+,,"| "8bb(2).+ ..... (-2,0) "@B" ~+ "6sirr,32,f+ ..... (-2,0) 16% ..... 2iac(32)+ ..... (1  
2,10) 2dh. '24. (-19,0) "@D" -3% ~++++ ,2'pn(..... ,22.....' )+ ..... | "4ibb('24')... '1... " @E" 4h2F (-8,0) 1  
m6 (1,11) "@A" 1% ..... 6fic24 ..... (-4,1) -4% -1j01-

Fig 1 C	K	Fig 2 B	K	Fig 3	K	Fig 4	K	Fig 5 D	K	Fig 6	K	Fig 7 E	K	Fig 8	K	Fig 9 A	K	Fig 10	K
8.8.2.1	19	8.6.4.3	13	7.5.5.3	15	5.3.2.1	24	1.3.13.1	22	8.8.8.3	19	5.2.1.1	17	7.2.2.1	6	8.5.8.3	11	2.1.3.4	16
9.8.1.1	7	9.11.1.6	3	9.1.3.2	4	9.1.2.2	6	9.1.1.2	8	9.1.5.1	2	9.1.1.1	6	9.1.3.4	8	9.9.3.6	14		
9.1.5.2	4	9.2.3.6	12	9.2.2.6	14	9.4.5.2	5	9.2.4.4	9	9.4.1.2	9	9.9.5.2	11	9.1.3.6	10	9.4.2.2	7		
	<b>30</b>	9.9.3.4	11		<b>33</b>		<b>35</b>		<b>39</b>	9.1.5.4	8		<b>34</b>		<b>24</b>		<b>32</b>		<b>16</b>



CIVA Advanced

Free Known

Figure K

320

Total K

350

Judges Name	
Signature	Number

Flight #  
**1**

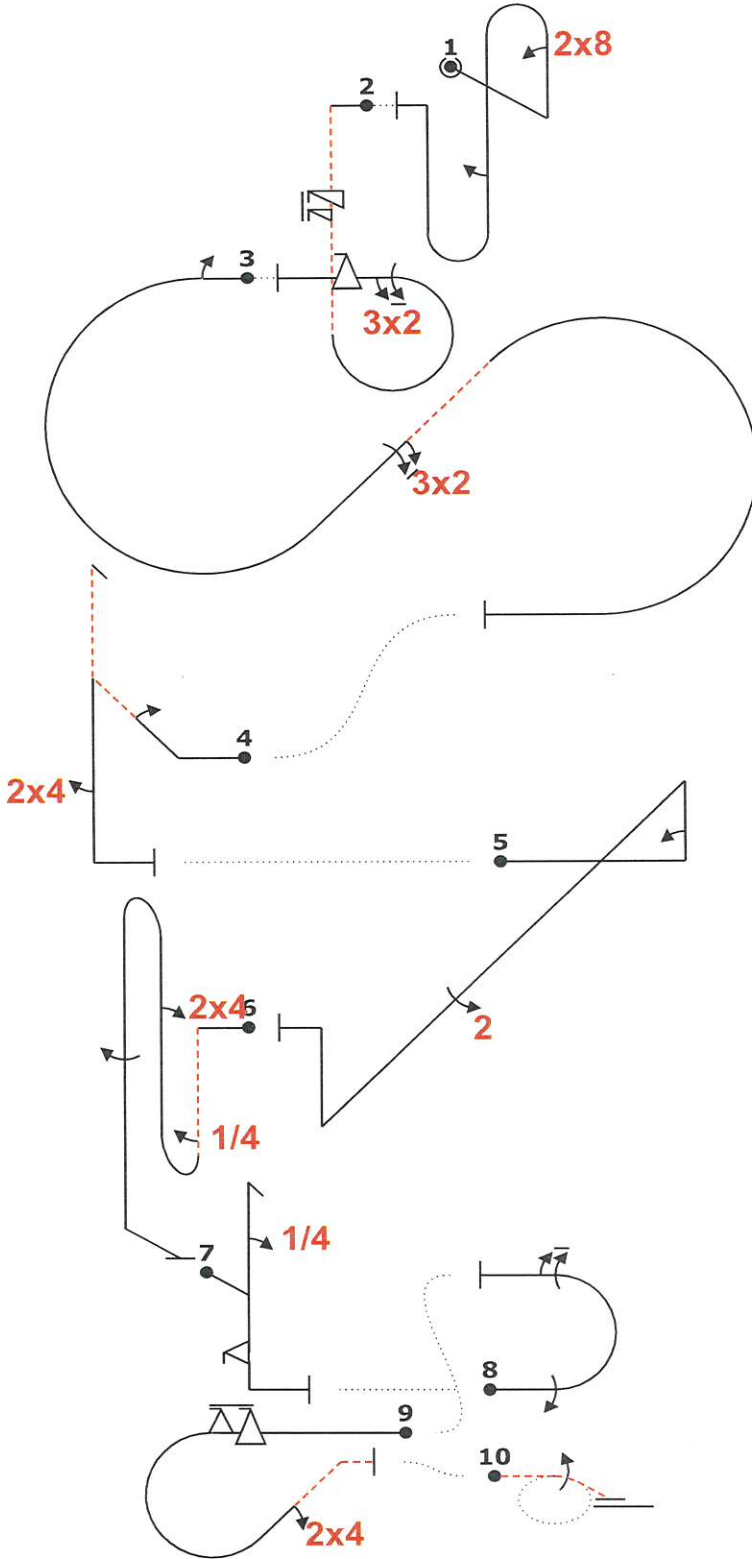


Fig	Grade	Pos	Remarks
1	.		
2	.		
3	.		
4	.		
5	.		
6	.		
7	.		
8	.		
9	.		
10	.		

Positioning  
**30**

Too Low		Trg Violation	
Too High		Wing Rocks	
Interruptions		Disqual Fig	
Insertions		Other(note...)	

ej "@C" ~+,"|8bb(2).+ (-2,0) "@B" +6s1rp,32,f+ (-2,0) 16% ..... 2iac(32)+ ..... (1 2,10) 2dh. '24. (-19,0) "@0" -3% ~++++, '2'pn(.....,22.....'') .....+,"|4ibb('24').....'1..... "@E" 4h2f (-8,0) 1 m6 (1,11) "@A" 1% ..... 6fic24'..... (-4,1) -4% -1jo1-

Fig 1 C	K	Fig 2 B	K	Fig 3	K	Fig 4	K	Fig 5 D	K	Fig 6	K	Fig 7 E	K	Fig 8	K	Fig 9 A	K	Fig 10	K
8.8.2.1	19	8.6.4.3	13	7.5.5.3	15	5.3.2.1	24	1.3.13.1	22	8.8.8.3	19	5.2.1.1	17	7.2.2.1	6	8.5.8.3	11	2.1.3.4	16
9.8.1.1	7	9.11.1.6	3	9.1.3.2	4	9.1.2.2	6	9.1.1.2	8	9.1.5.1	2	9.1.1.1	6	9.1.3.4	8	9.9.3.6	14		
9.1.5.2	4	9.2.3.6	12	9.2.2.6	14	9.4.5.2	5	9.2.4.4	9	9.4.1.2	9	9.9.5.2	11	9.1.3.6	10	9.4.2.2	7		
		9.9.3.4	11							9.1.5.4	8								
	<b>30</b>		<b>39</b>		<b>33</b>		<b>35</b>		<b>39</b>		<b>38</b>		<b>34</b>		<b>24</b>		<b>32</b>		<b>16</b>

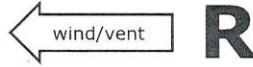


Figure K  
320  
Total K  
350

Judges Name	
Signature	Number

Flight #  
**2**

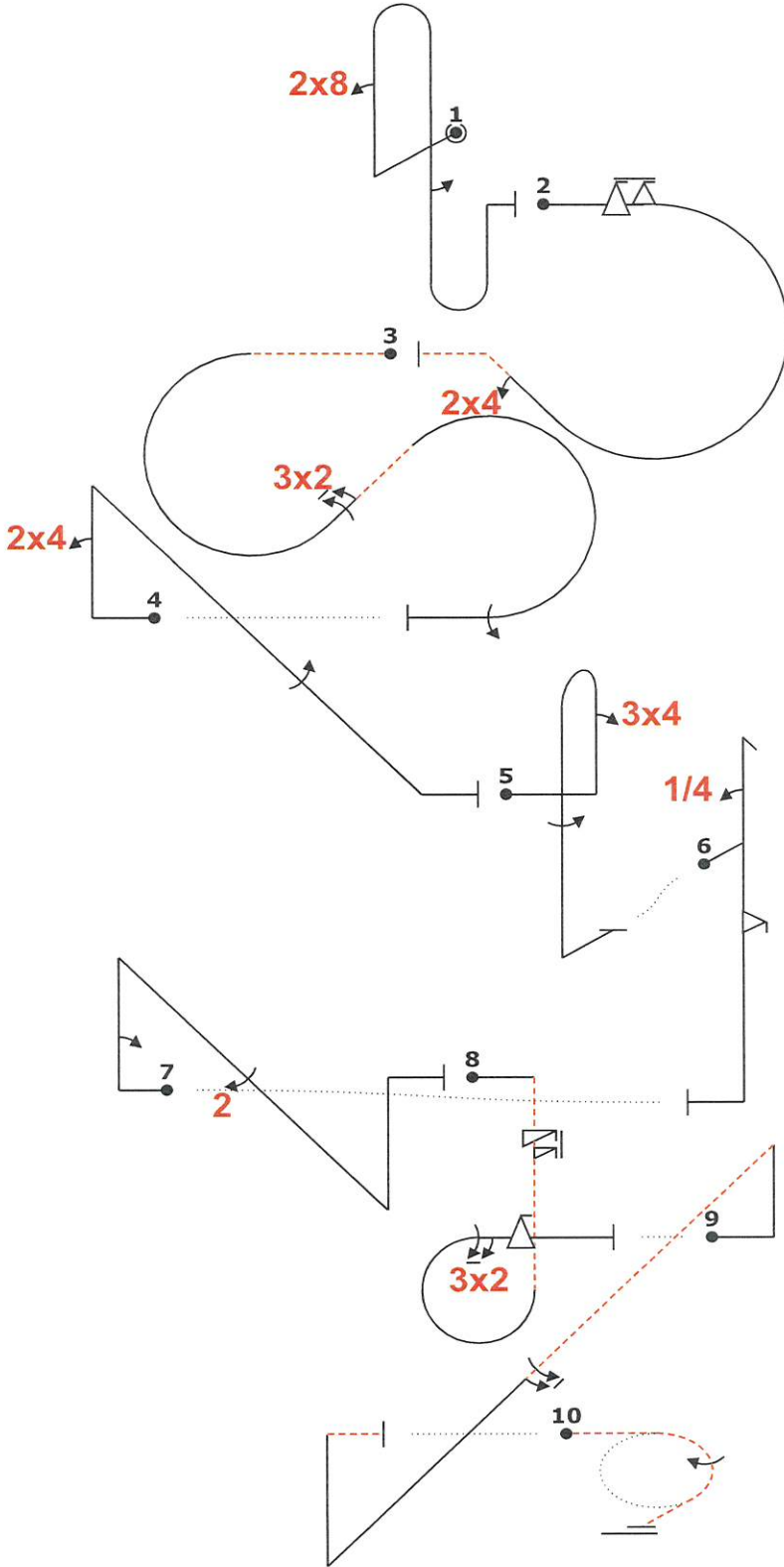


Fig	Grade	Pos	Remarks
1	.		
2	.		
3	.		
4	.		
5	.		
6	.		
7	.		
8	.		
9	.		
10	.		

Positioning  
30

Too Low		Trg Violation	
Too High		Wing Rocks	
Interruptions		Disqual Fig	
Insertions		Other(note...)	

ej "@C" + "8.bb('2.)+" "@A" 14% ..... "6fic"24" ..... 9% ..... iac('32)1+ ..... (-1  
4,0) 24k....'1.' ,34b.1..^ (3,-3) "@E" 4h'2f.....' (-33,-1) "@D" +,2pn('.,22...') "@B" 6s'irp,32,f (3,0)  
'n(.....'6.....')- (9,0) -1j1-

Fig 1 C	K	Fig 2 A	K	Fig 3	K	Fig 4	K	Fig 5	K	Fig 6 E	K	Fig 7 D	K	Fig 8 B	K	Fig 9	K	Fig 10	K
8.8.2.1	19	8.5.8.3	11	7.5.2.4	15	1.2.6.1	14	8.4.1.1	13	5.2.1.1	17	1.3.13.1	22	8.6.4.3	13	1.3.11.1	20	2.1.3.2	15
9.8.1.1	7	9.9.3.6	14	9.2.2.6	14	9.4.1.2	9	9.4.1.3	12	9.1.1.1	6	9.1.1.2	8	9.1.1.6	3	9.1.4.6	10		
9.1.5.2	4	9.4.2.2	7	9.1.3.4	8	9.1.4.4	8	9.1.5.4	8	9.9.5.2	11	9.2.4.4	9	9.2.3.6	12				
	<b>30</b>		<b>32</b>		<b>37</b>		<b>31</b>		<b>33</b>		<b>34</b>		<b>39</b>		<b>39</b>		<b>30</b>		<b>15</b>





Figure K  
320  
Total K  
350

Judges Name	
Signature	Number

Flight #  
**2**

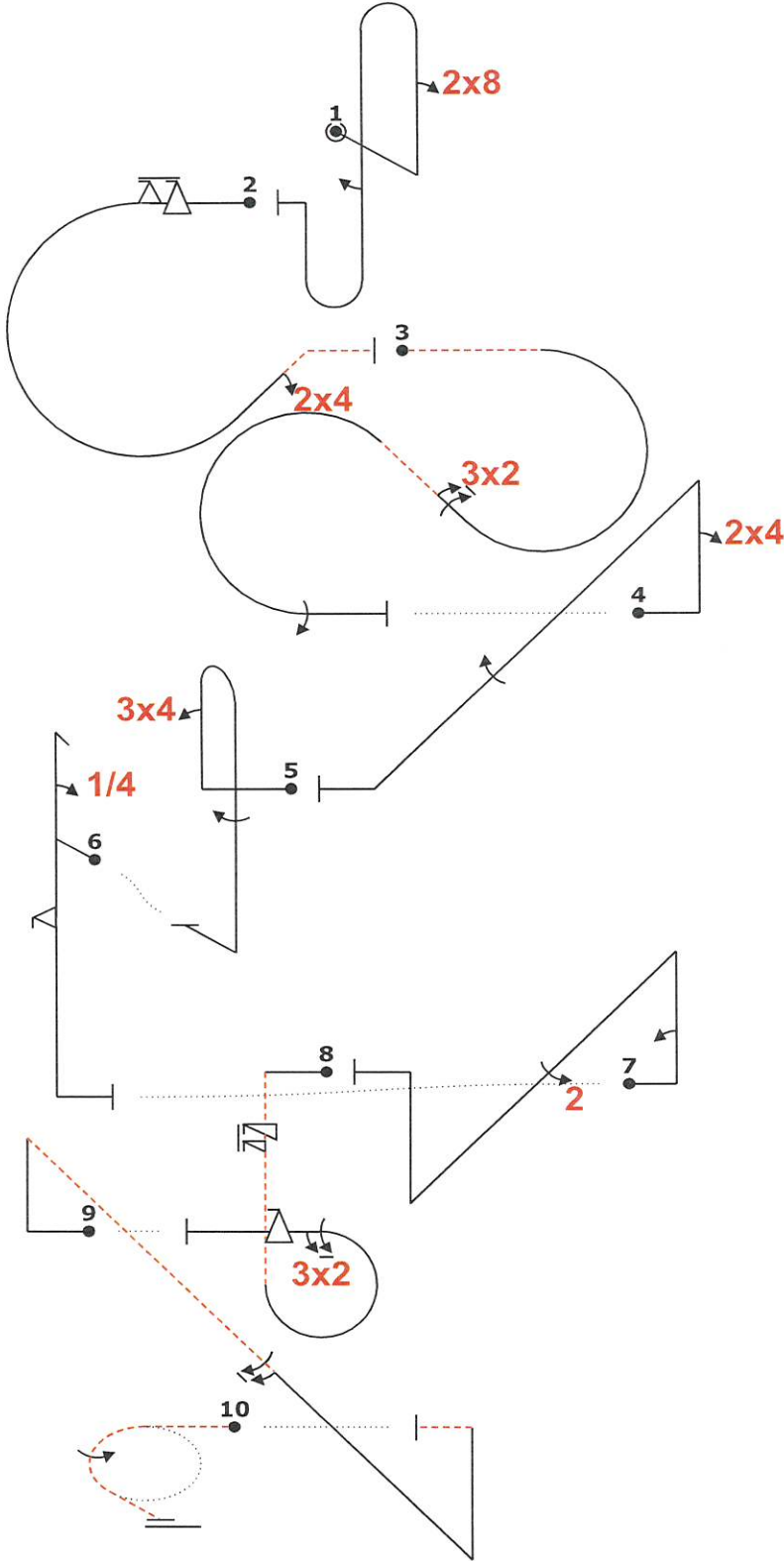


Fig	Grade	Pos	Remarks
1	.		
2	.		
3	.		
4	.		
5	.		
6	.		
7	.		
8	.		
9	.		
10	.		

Positioning  
30

Too Low		Trg Violation	
Too High		Wing Rocks	
Interruptions		Disqual Fig	
Insertions		Other(note...)	

ej "@C" + "8.bb("2.)+ " @A" 14% "6fic"24" 9% "iac("32)1+ (-1 4,0) 24k....'1.' ,34b.1..^ (3,-3) " @E" 4h'2F.... (-33,-1) "@D" "+.2pn('',22...." " @B" 6s''irp,32,f (3,0) ..n(.....'6.....')- (9,0) -1j1-

Fig 1 C	K	Fig 2 A	K	Fig 3	K	Fig 4	K	Fig 5	K	Fig 6 E	K	Fig 7 D	K	Fig 8 B	K	Fig 9	K	Fig 10	K
8.8.2.1	19	8.5.8.3	11	7.5.2.4	15	1.2.6.1	14	8.4.1.1	13	5.2.1.1	17	1.3.13.1	22	8.6.4.3	13	1.3.11.1	20	2.1.3.2	15
9.8.1.1	7	9.9.3.6	14	9.2.2.6	14	9.4.1.2	9	9.4.1.3	12	9.1.1.1	6	9.1.1.2	8	9.11.1.6	3	9.1.4.6	10		
9.1.5.2	4	9.4.2.2	7	9.1.3.4	8	9.1.4.4	8	9.1.5.4	8	9.9.5.2	11	9.2.4.4	9	9.2.3.6	12				
	<b>30</b>		<b>32</b>		<b>37</b>		<b>31</b>		<b>33</b>		<b>34</b>		<b>39</b>		<b>39</b>		<b>30</b>		<b>15</b>



Figure K  
320  
Total K  
350

Judges Name	
Signature	Number

Flight #  
**3**

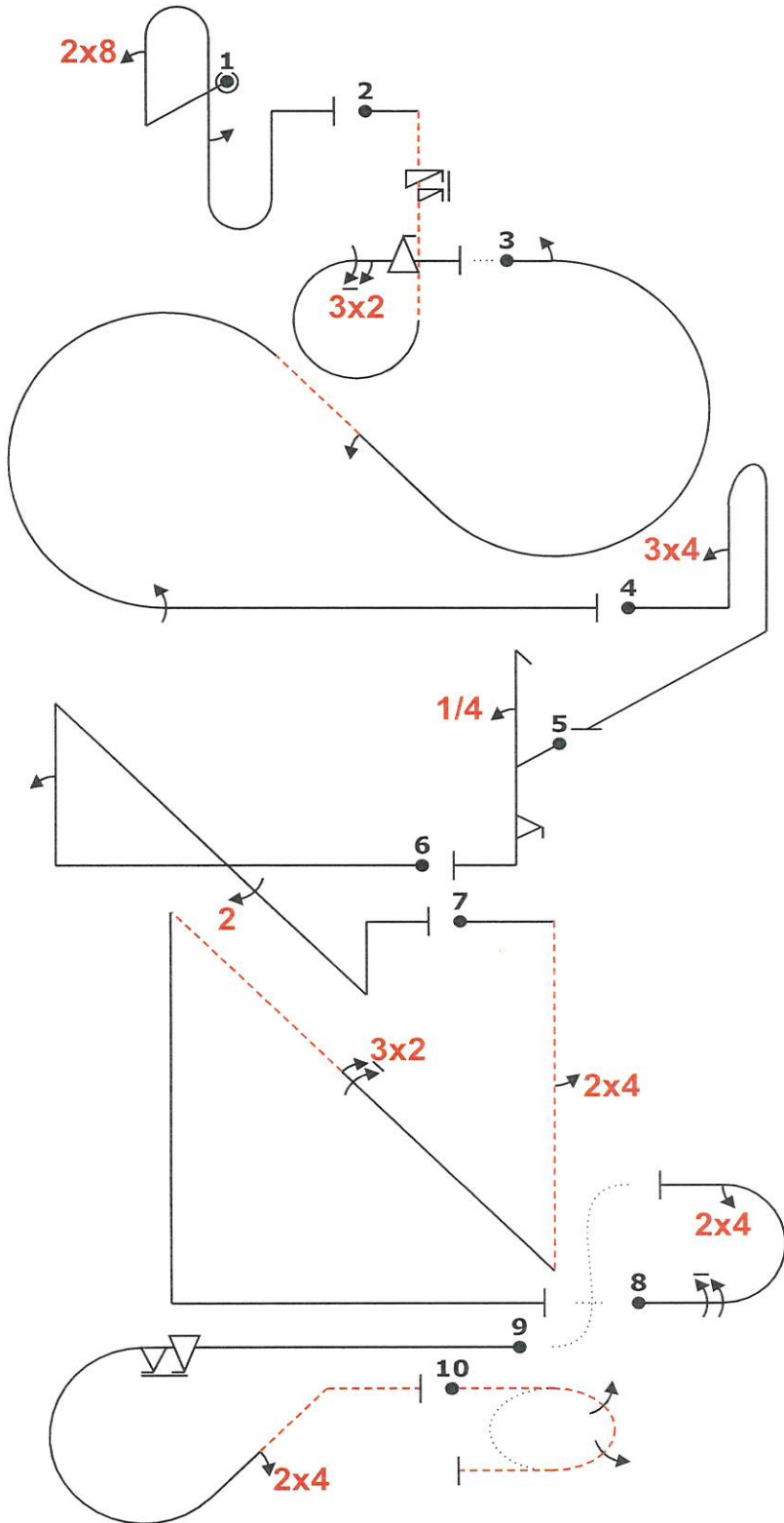


Fig	Grade	Pos	Remarks
1	.		
2	.		
3	.		
4	.		
5	.		
6	.		
7	.		
8	.		
9	.		
10	.		

Positioning  
30

Too Low		Trg Violation	
Too High		Wing Rocks	
Interruptions		Disqual Fig	
Insertions		Other(note...)	

ej "@C" ~-8bb("2)+ " @B" +6sirp,32,f+ (-1,0) 15% ~+ ..... 2iac(2)1+ ..... 34'b++++ " @E  
" 4h2f "@0" ~+++++'2'pn(...',22...) ..... 4% .24.in(...',32...).....++++ (2,0) 9m24 (-5,11) "@A" 5% 6fic,24'  
...-2jo2- eu

Fig 1 C	K	Fig 2 B	K	Fig 3	K	Fig 4	K	Fig 5 E	K	Fig 6 D	K	Fig 7	K	Fig 8	K	Fig 9 A	K	Fig 10	K
8.8.2.1	19	8.6.4.3	13	7.5.5.3	15	8.4.1.1	13	5.2.1.1	17	1.3.13.1	22	1.3.16.3	21	7.2.2.1	6	8.5.8.3	11	2.2.5.4	25
9.8.1.1	7	9.11.1.6	3	9.1.3.2	4	9.4.1.3	12	9.1.1.1	6	9.1.1.2	8	9.4.5.2	5	9.1.3.8	12	9.9.3.6	14		
9.1.5.2	4	9.2.3.6	12	9.1.2.2	6			9.9.5.2	11	9.2.4.4	9	9.2.2.6	14	9.4.3.2	5	9.4.2.2	7		
		9.9.3.4	11	9.1.3.4	8														
	<b>30</b>		<b>39</b>		<b>33</b>		<b>25</b>		<b>34</b>		<b>39</b>		<b>40</b>		<b>23</b>		<b>32</b>		<b>25</b>



CIVA Advanced  
Programme1

Figure K  
320  
Total K  
350

Judges Name  
Signature Number

Flight #  
**3**

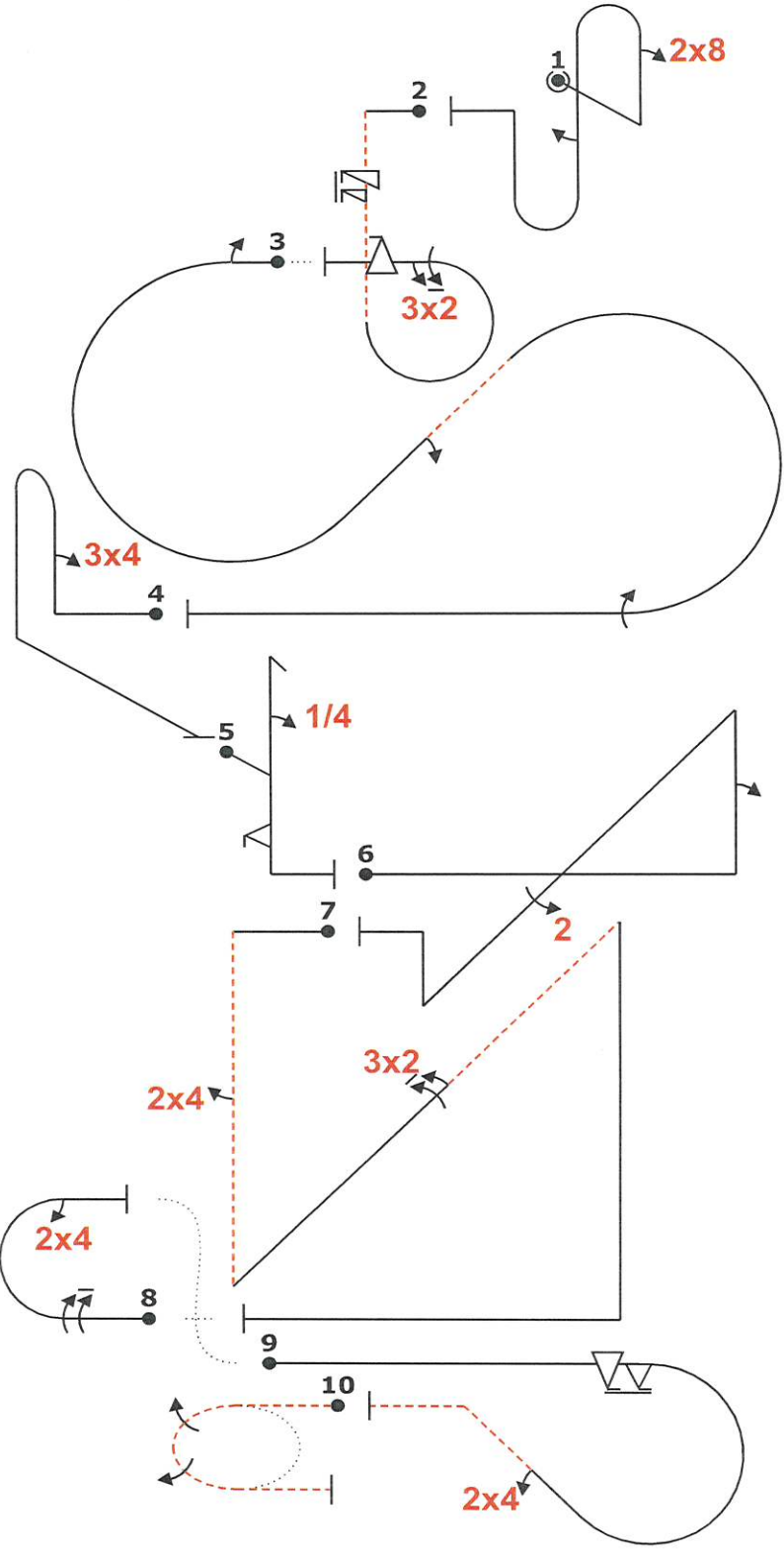


Fig	Grade	Pos	Remarks
1	.		
2	.		
3	.		
4	.		
5	.		
6	.		
7	.		
8	.		
9	.		
10	.		

Positioning  
30

Too Low		Trg Violation	
Too High		Wing Rocks	
Interruptions		Disqual Fig	
Insertions		Other(note...)	

ej "@C" ~8bb(2)+ " @B" +6s1rp,32,f+ (-1,0) 15% + 2iac(2)1+ 34'b++++ @E  
" 4h2f "@D" ~+++++ '2 pn(....,22...) 4% '24.in('',32...)..... (2,0) 9m24 (-5,11) "@A" 5% 6fic,24'  
-2jo2- eu

Fig 1 C	K	Fig 2 B	K	Fig 3	K	Fig 4	K	Fig 5 E	K	Fig 6 D	K	Fig 7	K	Fig 8	K	Fig 9 A	K	Fig 10	K
8.8.2.1	19	8.6.4.3	13	7.5.5.3	15	8.4.1.1	13	5.2.1.1	17	1.3.13.1	22	1.3.16.3	21	7.2.2.1	6	8.5.8.3	11	2.2.5.4	25
9.8.1.1	7	9.11.1.6	3	9.1.3.2	4	9.4.1.3	12	9.1.1.1	6	9.1.1.2	8	9.4.5.2	5	9.1.3.8	12	9.9.3.6	14		
9.1.5.2	4	9.2.3.6	12	9.1.2.2	6			9.9.5.2	11	9.2.4.4	9	9.2.2.6	14	9.4.3.2	5	9.4.2.2	7		
		9.9.3.4	11	9.1.3.4	8														
	<b>30</b>		<b>39</b>		<b>33</b>		<b>25</b>		<b>34</b>		<b>39</b>		<b>40</b>		<b>23</b>		<b>32</b>		<b>25</b>

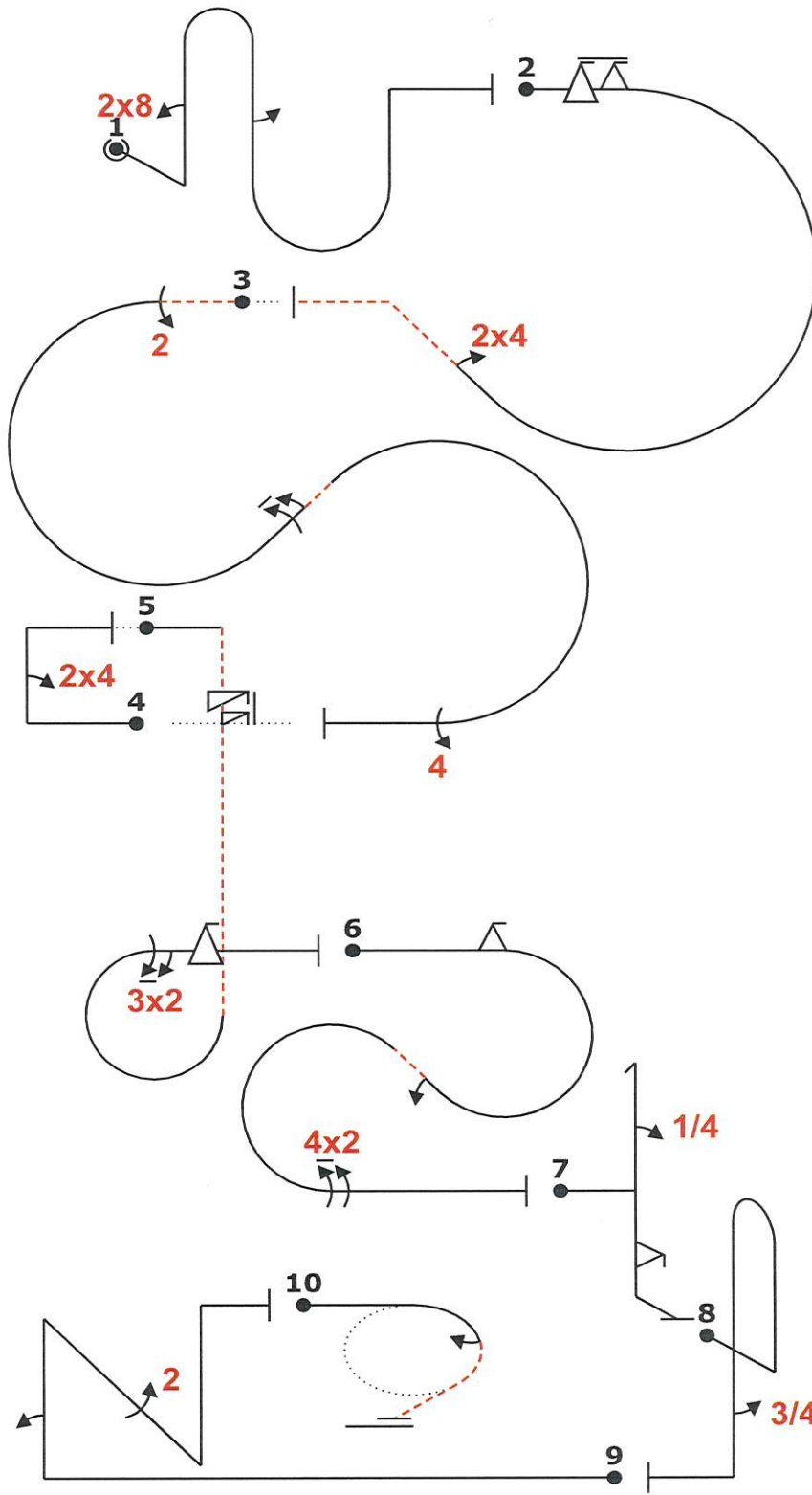


Fig	Grade	Pos	Remarks
1	.		
2	.		
3	.		
4	.		
5	.		
6	.		
7	.		
8	.		
9	.		
10	.		

Positioning	30	.
-------------	----	---

Too Low		Trg Violation	
Too High		Wing Rocks	
Interruptions		Disqual Fig	
Insertions		Other(note...)	

ej "@c" /8. b8(.....2) "@A" 18% .....6fic",24" ..... (1,0) 12% .....22iac("6" )44+  
 ..... (-7,0) ~v',24~ (-2,0) "@B" 6s....'irp,32,f 3% .....2fiac("2")42+ ..... "@E",4h2f b..3+ "  
 @D" ~+++++2pn(22') /1j5-

Fig 1 C	K	Fig 2 A	K	Fig 3	K	Fig 4	K	Fig 5 B	K	Fig 6	K	Fig 7 E	K	Fig 8	K	Fig 9 D	K	Fig 10	K
8.8.2.1	19	8.5.8.3	11	7.5.2.4	15	1.1.6.1	10	8.6.4.3	13	7.5.5.3	15	5.2.1.1	17	8.4.1.1	13	1.3.13.1	22	2.1.2.1	14
9.8.1.1	7	9.9.3.6	14	9.2.3.4	9	9.4.1.2	9	9.11.1.6	3	9.9.3.2	11	9.1.1.1	6	9.1.5.3	6	9.1.1.2	8		
9.1.5.2	4	9.4.2.2	7	9.1.2.6	12			9.2.3.6	12	9.1.2.2	6	9.9.5.2	11			9.2.4.4	9		
	30		32	9.4.3.4	11		19	9.9.3.4	11	9.2.3.8	15		34		19		39		14

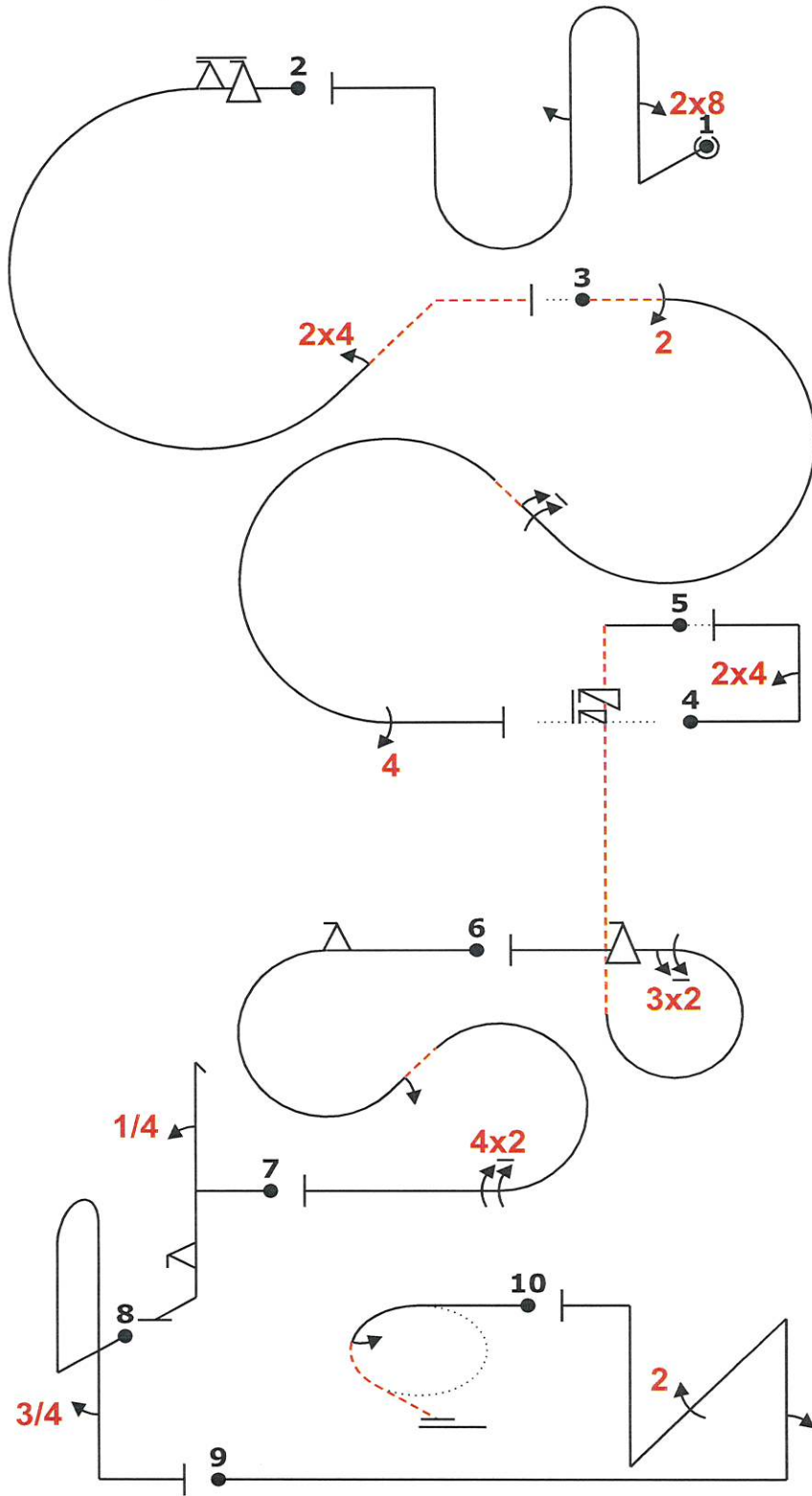
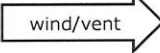


Fig	Grade	Pos	Remarks
1	.		
2	.		
3	.		
4	.		
5	.		
6	.		
7	.		
8	.		
9	.		
10	.		

Positioning  
30

Too Low		Trg Violation	
Too High		Wing Rocks	
Interruptions		Disqual Fig	
Insertions		Other(note...)	

ej "@C" /8. bB( 2) "@A" 18% "6fic" ,24 (1,0) 12% "22iac(" 6")44+ (-7,0) ~v' ,24 ~ (-2,0) "@B" 6s... 'irp,32, f 3% "2fiac(" 2')42+ "@E" ,4h2f b..3+ "@D" ~+++++2pn(22') /1j5-

Fig 1 C	K	Fig 2 A	K	Fig 3	K	Fig 4	K	Fig 5 B	K	Fig 6	K	Fig 7 E	K	Fig 8	K	Fig 9 D	K	Fig 10	K
8.8.2.1	19	8.5.8.3	11	7.5.2.4	15	1.1.6.1	10	8.6.4.3	13	7.5.5.3	15	5.2.1.1	17	8.4.1.1	13	1.3.13.1	22	2.1.2.1	14
9.8.1.1	7	9.9.3.6	14	9.2.3.4	9	9.4.1.2	9	9.11.1.6	3	9.9.3.2	11	9.1.1.1	6	9.1.5.3	6	9.1.1.2	8		
9.1.5.2	4	9.4.2.2	7	9.1.2.6	12			9.2.3.6	12	9.1.2.2	6	9.9.5.2	11			9.2.4.4	9		
	<b>30</b>		<b>32</b>	9.4.3.4	11		<b>19</b>	9.9.3.4	11	9.2.3.8	15		<b>34</b>		<b>19</b>		<b>39</b>		<b>14</b>



**R**

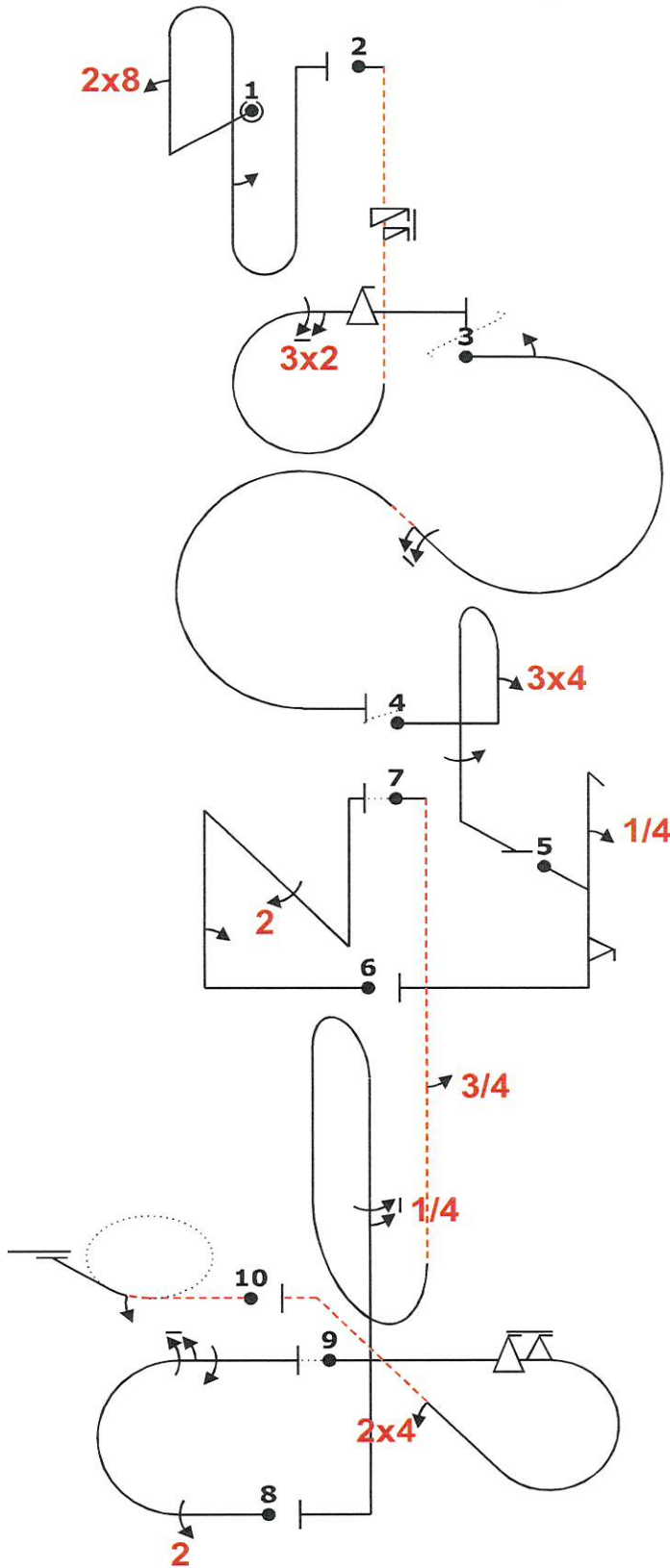


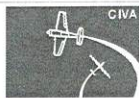
Fig	Grade	Pos	Remarks
1	.		
2	.		
3	.		
4	.		
5	.		
6	.		
7	.		
8	.		
9	.		
10	.		

Positioning	.
30	

Too Low		Trg Violation	
Too High		Wing Rocks	
Interruptions		Disqual Fig	
Insertions		Other(note...)	

ej "@C" ~8''bb(2)...+'''' "@B" 2% ''''+. '6sirr,32,f+ (-4,3) 10% ..... 2iac(''6''')+ ..... (-2,1) / ''',34b.1 "BE" ,4h2f+~'' "@D" ++,2''pn(,22')+'' (-2,0) 5% .....+...''3...''Bb(''.....'). '5...+'' 3% 22m 6,1 (-2,0) "@A" 1% '''' 6fic.24-'' -1jo5>

Fig 1 C	K	Fig 2 B	K	Fig 3	K	Fig 4	K	Fig 5 E	K	Fig 6 D	K	Fig 7	K	Fig 8	K	Fig 9 A	K	Fig 10	K
8.8.2.1	19	8.6.4.3	13	7.5.5.3	15	8.4.1.1	13	5.2.1.1	17	1.3.13.1	22	8.8.8.3	19	7.2.2.1	6	8.5.8.3	11	2.1.2.4	15
9.8.1.1	7	9.11.1.6	3	9.1.3.2	4	9.4.1.3	12	9.1.1.1	6	9.1.1.2	8	9.1.5.3	6	9.2.3.4	9	9.9.3.6	14		
9.1.5.2	4	9.2.3.6	12	9.1.2.6	12	9.1.5.4	8	9.9.5.2	11	9.2.4.4	9	9.1.5.5	9	9.1.3.6	10	9.4.2.2	7		
	<b>30</b>	9.9.3.4	11		<b>31</b>		<b>33</b>		<b>34</b>		<b>39</b>		<b>34</b>	9.1.3.4	8				
			<b>39</b>										<b>33</b>				<b>32</b>		<b>15</b>



CIVA Advanced

Programme 1

Figure K  
320

Total K  
350

Judges Name

Signature Number

Flight #

5

FAI

wind/vent

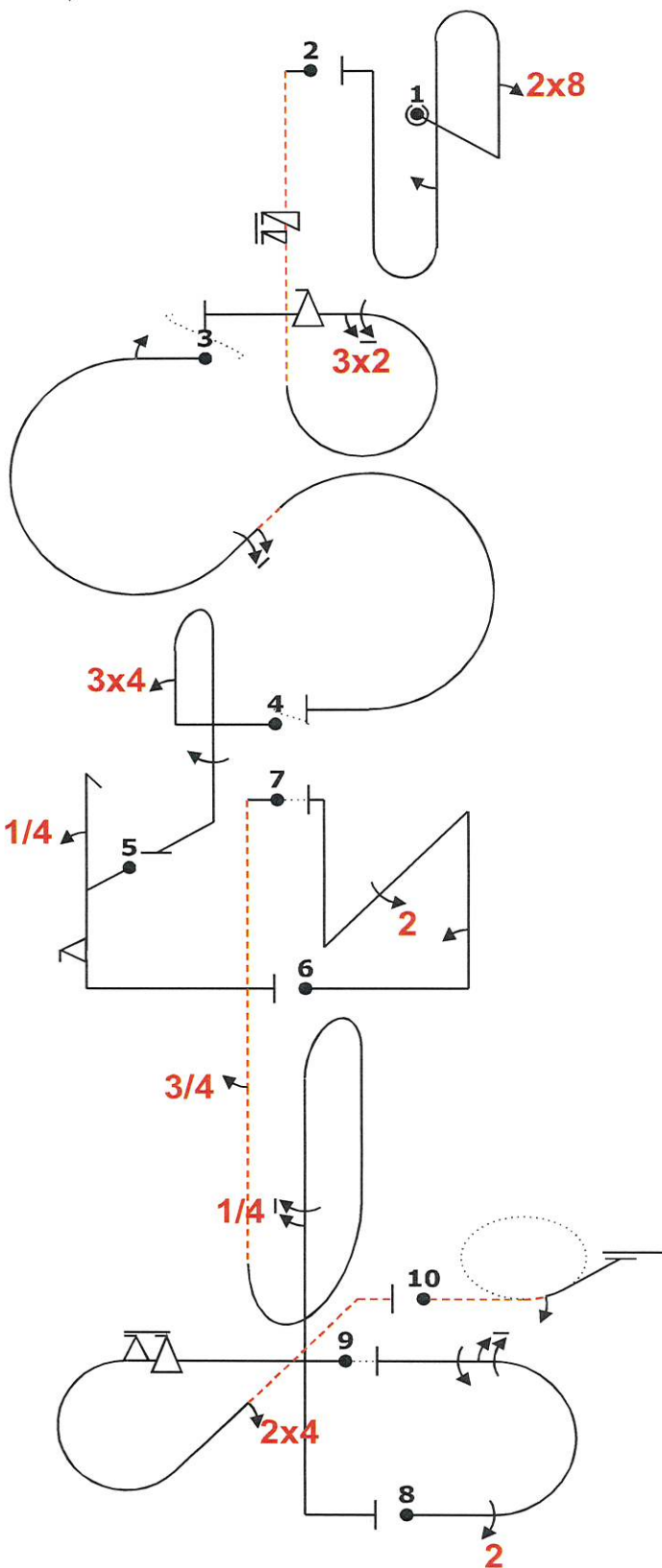


Fig	Grade	Pos	Remarks
1	.		
2	.		
3	.		
4	.		
5	.		
6	.		
7	.		
8	.		
9	.		
10	.		

Positioning

30

.

Too Low

Trg Violation

Too High

Wing Rocks

Interruptions

Disqual Fig

Insertions

Other(note...)

*[Small technical text with flight codes and symbols]*

Fig 1 C	K	Fig 2 B	K	Fig 3	K	Fig 4	K	Fig 5 E	K	Fig 6 D	K	Fig 7	K	Fig 8	K	Fig 9 A	K	Fig 10	K
8.8.2.1	19	8.6.4.3	13	7.5.5.3	15	8.4.1.1	13	5.2.1.1	17	1.3.13.1	22	8.8.8.3	19	7.2.2.1	6	8.5.8.3	11	2.1.2.4	15
9.8.1.1	7	9.11.1.6	3	9.1.3.2	4	9.4.1.3	12	9.1.1.1	6	9.1.1.2	8	9.1.5.3	6	9.2.3.4	9	9.9.3.6	14		
9.1.5.2	4	9.2.3.6	12	9.1.2.6	12	9.1.5.4	8	9.9.5.2	11	9.2.4.4	9	9.1.5.5	9	9.1.3.6	10	9.4.2.2	7		
		9.9.3.4	11											9.1.3.4	8				
	<b>30</b>		<b>39</b>		<b>31</b>		<b>33</b>		<b>34</b>		<b>39</b>		<b>34</b>		<b>33</b>			<b>32</b>	<b>15</b>

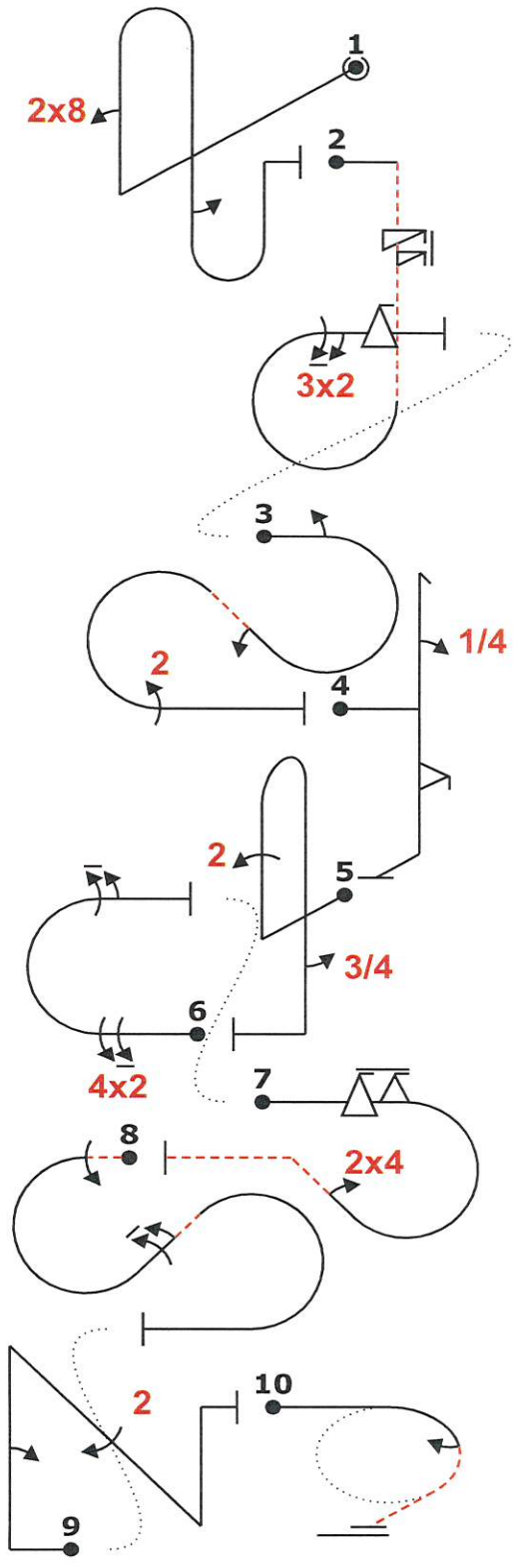
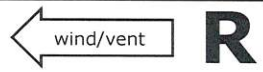


Fig	Grade	Pos	Remarks
1	.		
2	.		
3	.		
4	.		
5	.		
6	.		
7	.		
8	.		
9	.		
10	.		

Positioning  
 30

Too Low		Trg Violation	
Too High		Wing Rocks	
Interruptions		Disqual Fig	
Insertions		Other(note...)	

ej "@C" +++++8.bb(2'')'+ ..... "@B" '+6sirr,32,f'+ ..... (-14,12) ..... 2iac('2)22+ ..... "@E" ,4h2f'' ~  
 "22'b.' '3+' 42m6 (0,12) "@A" ..... 6fic',24 ..... liac('6')+ ..... (0,13) "@D" '+'' ,2  
 pn(,"|"22.)''+' 1j5-

Fig 1 C	K	Fig 2 B	K	Fig 3	K	Fig 4 E	K	Fig 5	K	Fig 6	K	Fig 7 A	K	Fig 8	K	Fig 9 D	K	Fig 10	K
8.8.2.1	19	8.6.4.3	13	7.5.5.3	15	5.2.1.1	17	8.4.1.1	13	7.2.2.1	6	8.5.8.3	11	7.5.2.4	15	1.3.13.1	22	2.1.2.1	14
9.8.1.1	7	9.11.1.6	3	9.1.3.2	4	9.1.1.1	6	9.2.1.4	13	9.2.3.8	15	9.9.3.6	14	9.1.3.4	8	9.1.1.2	8		
9.1.5.2	4	9.2.3.6	12	9.1.2.2	6	9.9.5.2	11	9.1.5.3	6	9.1.3.6	10	9.4.2.2	7	9.1.2.6	12	9.2.4.4	9		
		9.9.3.4	11	9.2.3.4	9														
	30		39		34		34		32		31		32		35		39		14



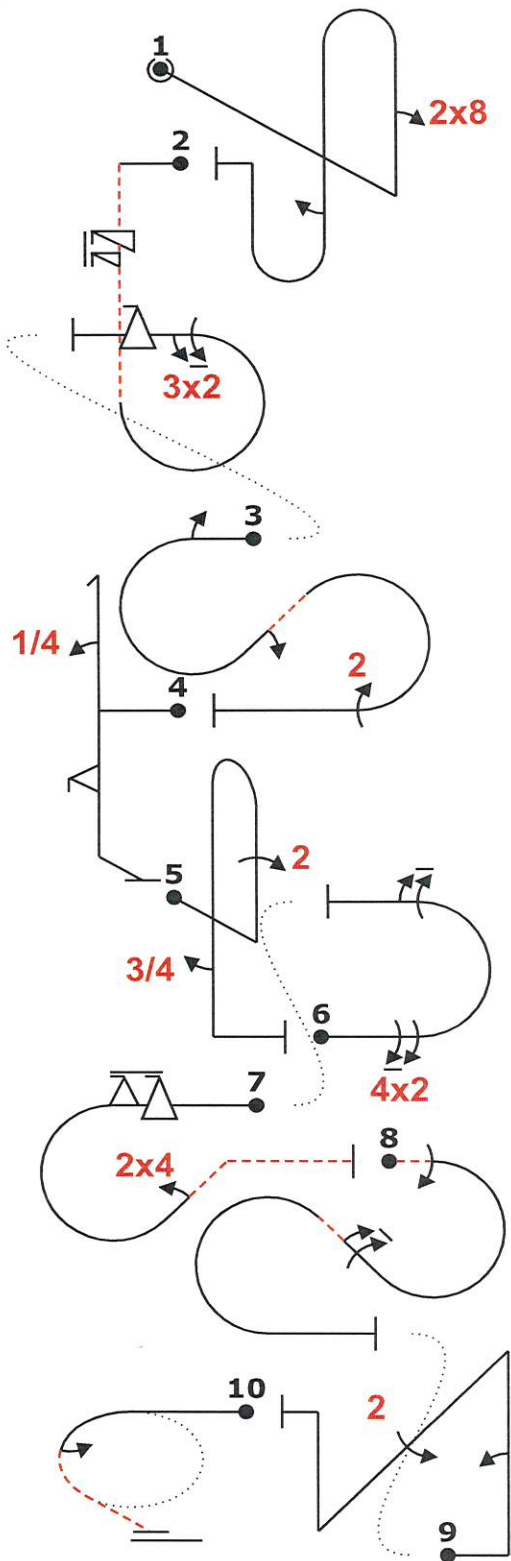


Fig	Grade	Pos	Remarks
1	.		
2	.		
3	.		
4	.		
5	.		
6	.		
7	.		
8	.		
9	.		
10	.		

Positioning 30

Too Low		Trg Violation	
Too High		Wing Rocks	
Interruptions		Disqual Fig	
Insertions		Other(note...)	

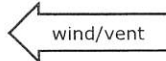
ej "@C" +++++8.bb(2'')+"@B" +6s1rp,32,f'+ (-14,12) ..... 2iac('2)22+ "E" ,4h2F' ..  
 '22'b.' '3+' 42m6 (0,12) "@A" ..... 6fic',24 ..... 1iac('6')+ (0,13) "@0" '+'',2  
 pn(,,"|22.)'...'+' 1j5-

Fig 1 C	K	Fig 2 B	K	Fig 3	K	Fig 4 E	K	Fig 5	K	Fig 6	K	Fig 7 A	K	Fig 8	K	Fig 9 D	K	Fig 10	K
8.8.2.1	19	8.6.4.3	13	7.5.5.3	15	5.2.1.1	17	8.4.1.1	13	7.2.2.1	6	8.5.8.3	11	7.5.2.4	15	1.3.13.1	22	2.1.2.1	14
9.8.1.1	7	9.11.1.6	3	9.1.3.2	4	9.1.1.1	6	9.2.1.4	13	9.2.3.8	15	9.9.3.6	14	9.1.3.4	8	9.1.1.2	8		
9.1.5.2	4	9.2.3.6	12	9.1.2.2	6	9.9.5.2	11	9.1.5.3	6	9.1.3.6	10	9.4.2.2	7	9.1.2.6	12	9.2.4.4	9		
	<b>30</b>	9.9.3.4	11	9.2.3.4	9														
			<b>39</b>		<b>34</b>		<b>34</b>		<b>32</b>		<b>31</b>		<b>32</b>		<b>35</b>		<b>39</b>		<b>14</b>



CIVA Advanced

Free Known



R

Figure K  
320  
Total K  
350

Judges Name	
Signature	Number

Flight # <b>7</b>
----------------------

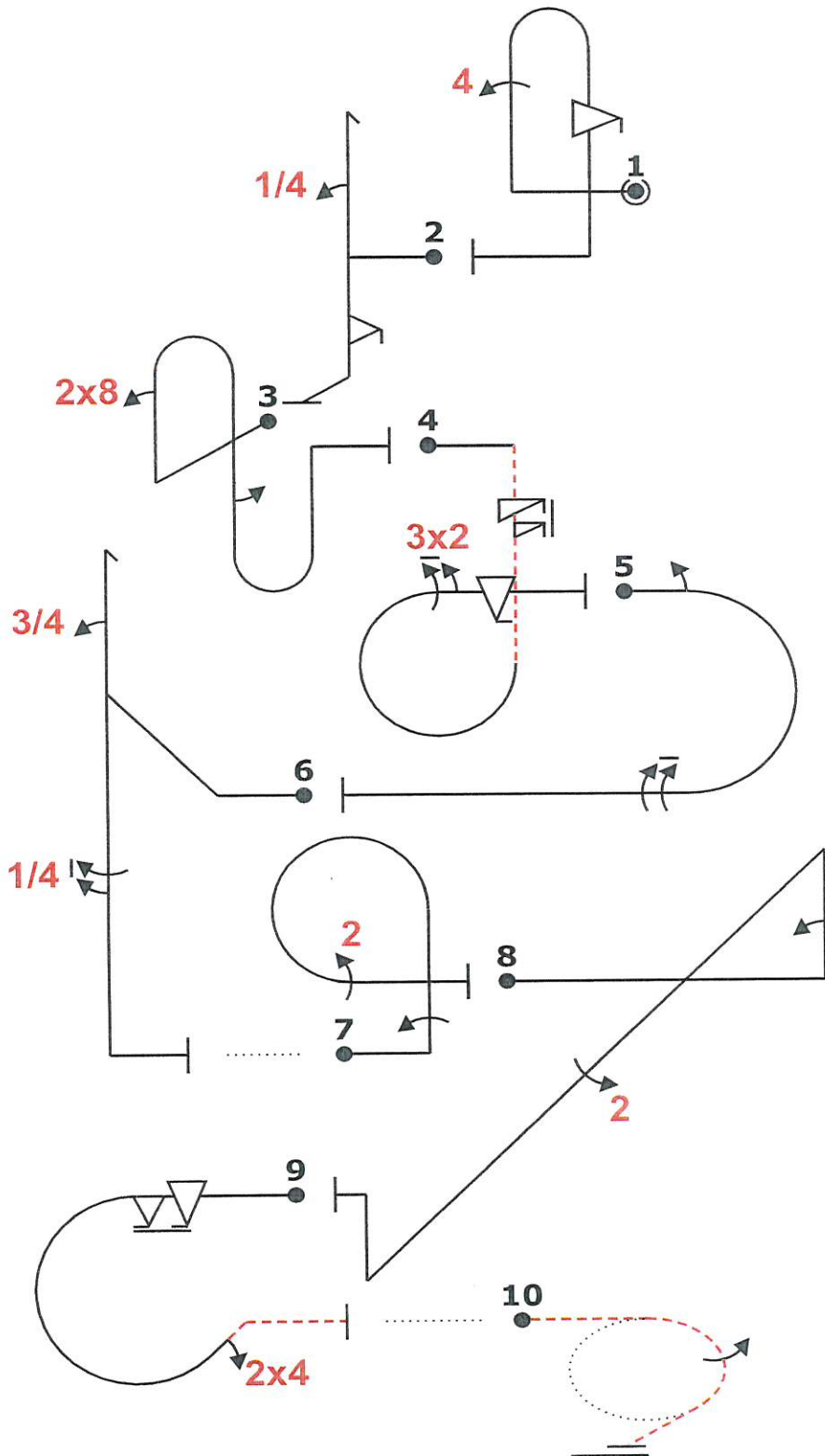


Fig	Grade	Pos	Remarks
1	.		
2	.		
3	.		
4	.		
5	.		
6	.		
7	.		
8	.		
9	.		
10	.		

Positioning	30
-------------	----

Too Low		Trg Violation	
Too High		Wing Rocks	
Interruptions		Disqual Fig	
Insertions		Other(note...)	

ed /44b' f. "GE" /4h2f "GC" +8bb("2")+ "GB" 6s' lrp32,f+ 4% 2a',9+-- dh(3)...5...' (4,0) lrp22 -2% "@  
" -+++++2' pn('...22...') '+ 3% "GA" 6fic ',24' - (5,0) -1jo1-

Fig 1	K	Fig 2 E	K	Fig 3 C	K	Fig 4 B	K	Fig 5	K	Fig 6	K	Fig 7	K	Fig 8 D	K	Fig 9 A	K	Fig 10	K
8.4.1.1	13	5.2.1.1	17	8.8.2.1	19	8.6.4.3	13	7.2.3.3	6	5.3.1.1	18	8.6.1.1	11	1.3.13.1	22	8.5.8.3	11	2.1.3.4	16
9.4.1.4	15	9.1.1.1	6	9.8.1.1	7	9.11.1.6	3	9.1.3.2	4	9.1.1.3	10	9.1.1.4	12	9.1.1.2	8	9.9.3.6	14		
9.9.5.4	11	9.9.5.2	11	9.1.5.2	4	9.2.3.6	12	9.1.3.8	12	9.1.5.5	9	9.2.3.4	9	9.2.4.4	9	9.4.2.2	7		
	39		34		30		39		22		37		32		39		32		16



CIVA Advanced  
Free Known

Figure K  
320  
Total K  
350

Judges Name  
Signature Number

Flight #  
7

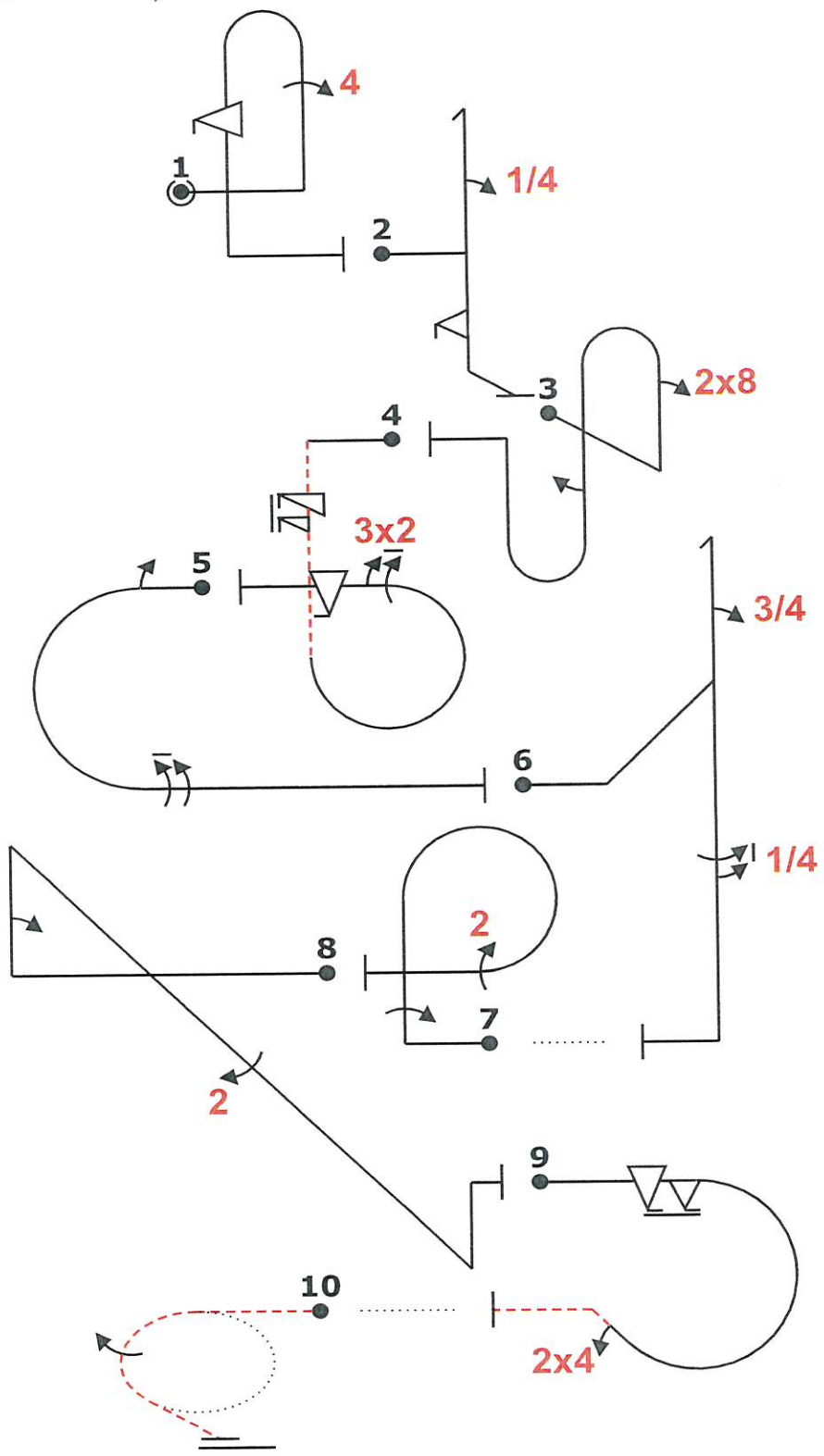


Fig	Grade	Pos	Remarks
1	.		
2	.		
3	.		
4	.		
5	.		
6	.		
7	.		
8	.		
9	.		
10	.		

Positioning  
30

Too Low		Trg Violation	
Too High		Wing Rocks	
Interruptions		Disqual Fig	
Insertions		Other(note...)	

ed /44b f. "E" /4h2f "@C" +8bb("2")+"@B" 6s irp32,f+ 4% "2a',9+-- dh(3)...,5...' (4,0) irp22 -2% "@D" --+++++2 pn(.... "22.....") + 3% "@A" ..... 6fic",24 ..... (5,0) -1joi-

Fig 1	K	Fig 2 E	K	Fig 3 C	K	Fig 4 B	K	Fig 5	K	Fig 6	K	Fig 7	K	Fig 8 D	K	Fig 9 A	K	Fig 10	K
8.4.1.1	13	5.2.1.1	17	8.8.2.1	19	8.6.4.3	13	7.2.3.3	6	5.3.1.1	18	8.6.1.1	11	1.3.13.1	22	8.5.8.3	11	2.1.3.4	16
9.4.1.4	15	9.1.1.1	6	9.8.1.1	7	9.11.1.6	3	9.1.3.2	4	9.1.1.3	10	9.1.1.4	12	9.1.1.2	8	9.9.3.6	14		
9.9.5.4	11	9.9.5.2	11	9.1.5.2	4	9.2.3.6	12	9.1.3.8	12	9.1.5.5	9	9.2.3.4	9	9.2.4.4	9	9.4.2.2	7		
	30		34		30		39		22		37		32		39		32		16

wind/vent ← **R**

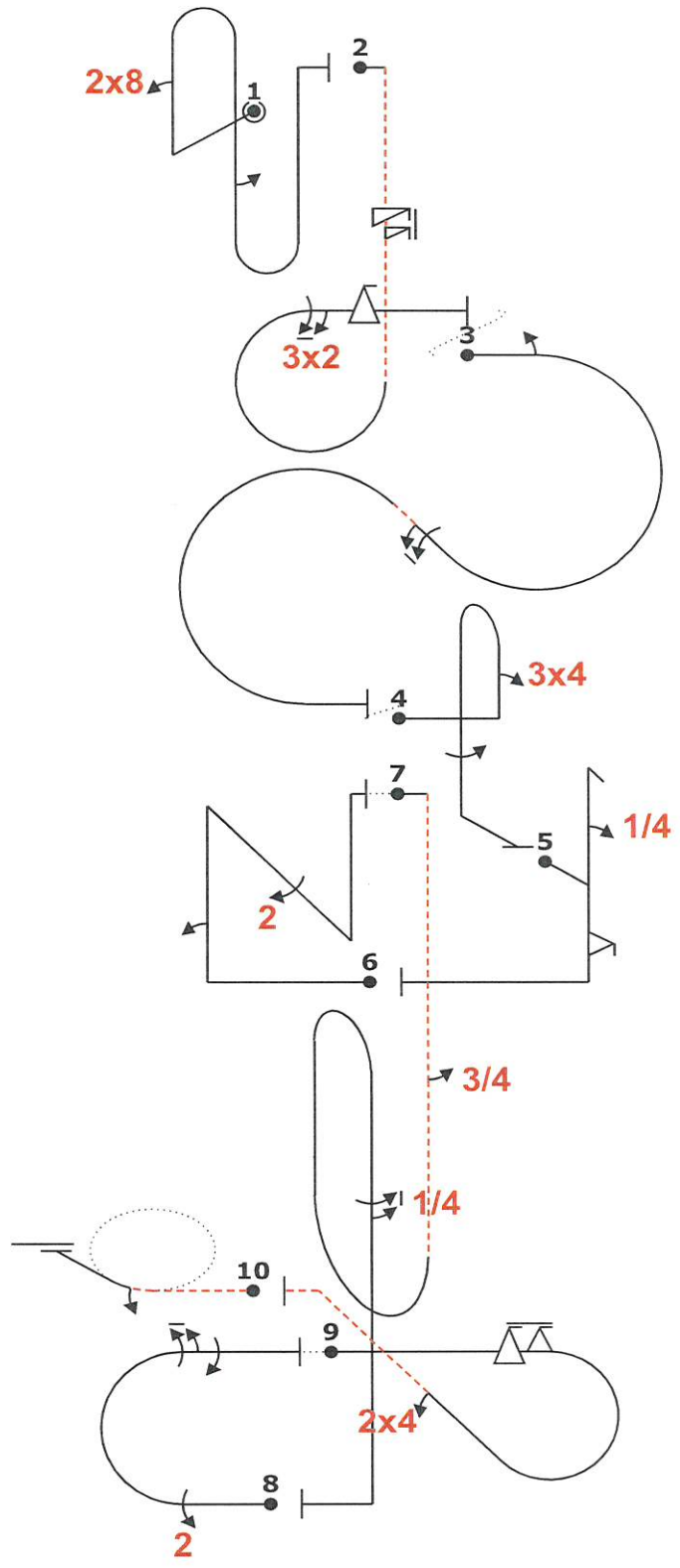


Fig	Grade	Pos	Remarks
1	.		
2	.		
3	.		
4	.		
5	.		
6	.		
7	.		
8	.		
9	.		
10	.		

Positioning  
**30**

Too Low		Trg Violation	
Too High		Wing Rocks	
Interruptions		Disqual Fig	
Insertions		Other(note...)	

ej "@C" ~8'bb(2)... "@B" 2% ..... '6sirr,32,f+ (-4,3) 10% ..... 2iac('6') + ..... (-2,1) /' ..... 34b.1 "E" ,4h2f+... "@D" ++2'pn(,22') + ..... (-2,0) 5% ..... +... '3... iBb( ..... )'5... + 3% 22m6 ,1 (-2,0) "@A" 1% ..... 6fic.24... -1j05>

Fig 1 C	K	Fig 2 B	K	Fig 3	K	Fig 4	K	Fig 5 E	K	Fig 6 D	K	Fig 7	K	Fig 8	K	Fig 9 A	K	Fig 10	K
8.8.2.1	19	8.6.4.3	13	7.5.5.3	15	8.4.1.1	13	5.2.1.1	17	1.3.13.1	22	8.8.8.3	19	7.2.2.1	6	8.5.8.3	11	2.1.2.4	15
9.8.1.1	7	9.11.1.6	3	9.1.3.2	4	9.4.1.3	12	9.1.1.1	6	9.1.1.2	8	9.1.5.3	6	9.2.3.4	9	9.9.3.6	14		
9.1.5.2	4	9.2.3.6	12	9.1.2.6	12	9.1.5.4	8	9.9.5.2	11	9.2.4.4	9	9.1.5.5	9	9.1.3.6	10	9.4.2.2	7		
	<b>30</b>	9.9.3.4	11		<b>31</b>		<b>33</b>		<b>34</b>		<b>39</b>		<b>34</b>		<b>33</b>		<b>32</b>		<b>15</b>



CIVA

Advanced

2022

Programme1

EAAC

Figure K

320

Total K

350

Judges Name	
Signature	Number

Flight #
8

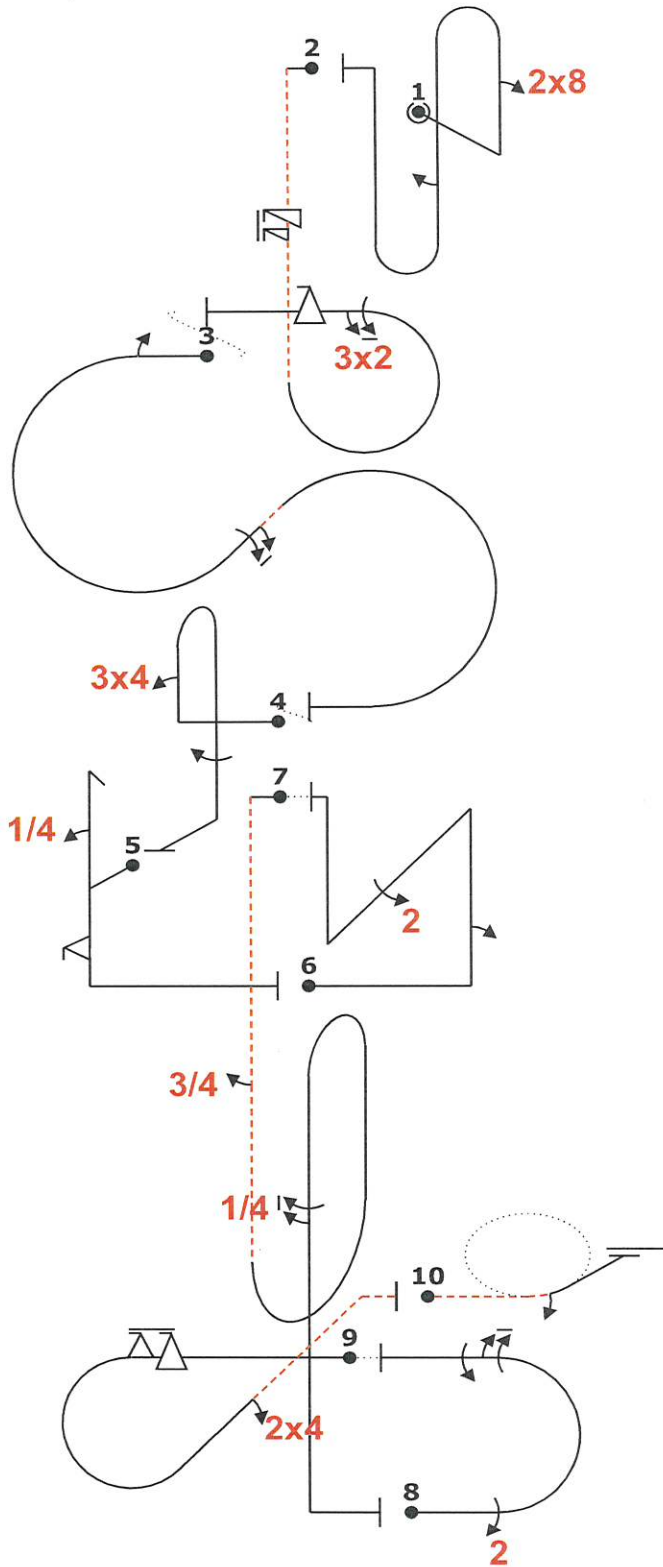


Fig	Grade	Pos	Remarks
1	.		
2	.		
3	.		
4	.		
5	.		
6	.		
7	.		
8	.		
9	.		
10	.		

Positioning	
30	.

Too Low		Trg Violation	
Too High		Wing Rocks	
Interruptions		Disqual Fig	
Insertions		Other(note...)	

ej "@C" ~8'bb(2)...+ "@B" 2% .....+.'6sirr,32,f+ (-4,3) 10% ..... 2iac( " 6" )+ (-2,1) / " ,34b.1 " @E" ,4h2f+... "@D" ++2' pn(,22') + (-2,0) 5% .....+... '3... iBb( " " )' .5...+ " 3% 22m6 ,1 (-2,0) "@A" 1% " " 6fic.24... -1jo5>

Fig 1 C	K	Fig 2 B	K	Fig 3	K	Fig 4	K	Fig 5 E	K	Fig 6 D	K	Fig 7	K	Fig 8	K	Fig 9 A	K	Fig 10	K
8.8.2.1	19	8.6.4.3	13	7.5.5.3	15	8.4.1.1	13	5.2.1.1	17	1.3.13.1	22	8.8.8.3	19	7.2.2.1	6	8.5.8.3	11	2.1.2.4	15
9.8.1.1	7	9.11.1.6	3	9.1.3.2	4	9.4.1.3	12	9.1.1.1	6	9.1.1.2	8	9.1.5.3	6	9.2.3.4	9	9.9.3.6	14		
9.1.5.2	4	9.2.3.6	12	9.1.2.6	12	9.1.5.4	8	9.9.5.2	11	9.2.4.4	9	9.1.5.5	9	9.1.3.6	10	9.4.2.2	7		
		9.9.3.4	11											9.1.3.4	8				
	<b>30</b>		<b>39</b>		<b>31</b>		<b>33</b>		<b>34</b>		<b>39</b>		<b>34</b>		<b>33</b>		<b>32</b>		<b>15</b>

wind/vent ← **R**

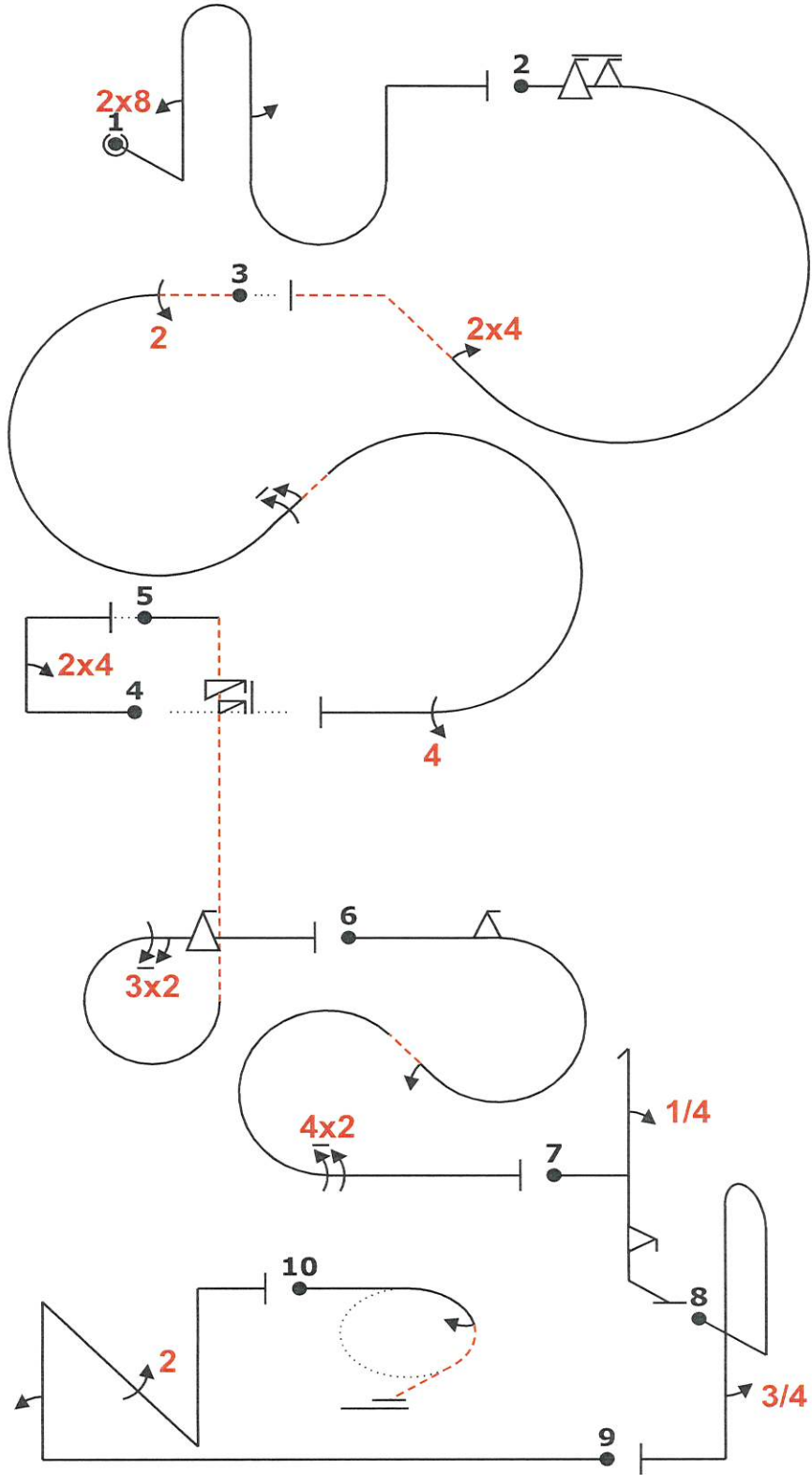


Fig	Grade	Pos	Remarks
1	.		
2	.		
3	.		
4	.		
5	.		
6	.		
7	.		
8	.		
9	.		
10	.		

Positioning	30	.
Too Low		Trg Violation
Too High		Wing Rocks
Interruptions		Disqual Fig
Insertions		Other(note...)

ej "@C" /8.bb(.....2) "@A" 18% .....6fic",24.....(1,0) 12% .....22iac("6")44+.....  
 (-7,0) ~v",24~ (-2,0) "@B" 6s... 'irp,32,f 3% .....2fiac("2")42+....."@E",4h2f b..3+ "  
 @D" ~+++++2pn(22') /1j5-

Fig 1 C	K	Fig 2 A	K	Fig 3	K	Fig 4	K	Fig 5 B	K	Fig 6	K	Fig 7 E	K	Fig 8	K	Fig 9 D	K	Fig 10	K
8.8.2.1	19	8.5.8.3	11	7.5.2.4	15	1.1.6.1	10	8.6.4.3	13	7.5.5.3	15	5.2.1.1	17	8.4.1.1	13	1.3.13.1	22	2.1.2.1	14
9.8.1.1	7	9.9.3.6	14	9.2.3.4	9	9.4.1.2	9	9.11.1.6	3	9.9.3.2	11	9.1.1.1	6	9.1.5.3	6	9.1.1.2	8		
9.1.5.2	4	9.4.2.2	7	9.1.2.6	12			9.2.3.6	12	9.1.2.2	6	9.9.5.2	11			9.2.4.4	9		
	<b>30</b>		<b>32</b>	9.4.3.4	11		<b>19</b>	9.9.3.4	11	9.2.3.8	15		<b>34</b>		<b>19</b>		<b>39</b>		<b>14</b>



Figure K  
 320  
 Total K  
 350

Judges Name  
 Signature Number

Flight #  
**9**

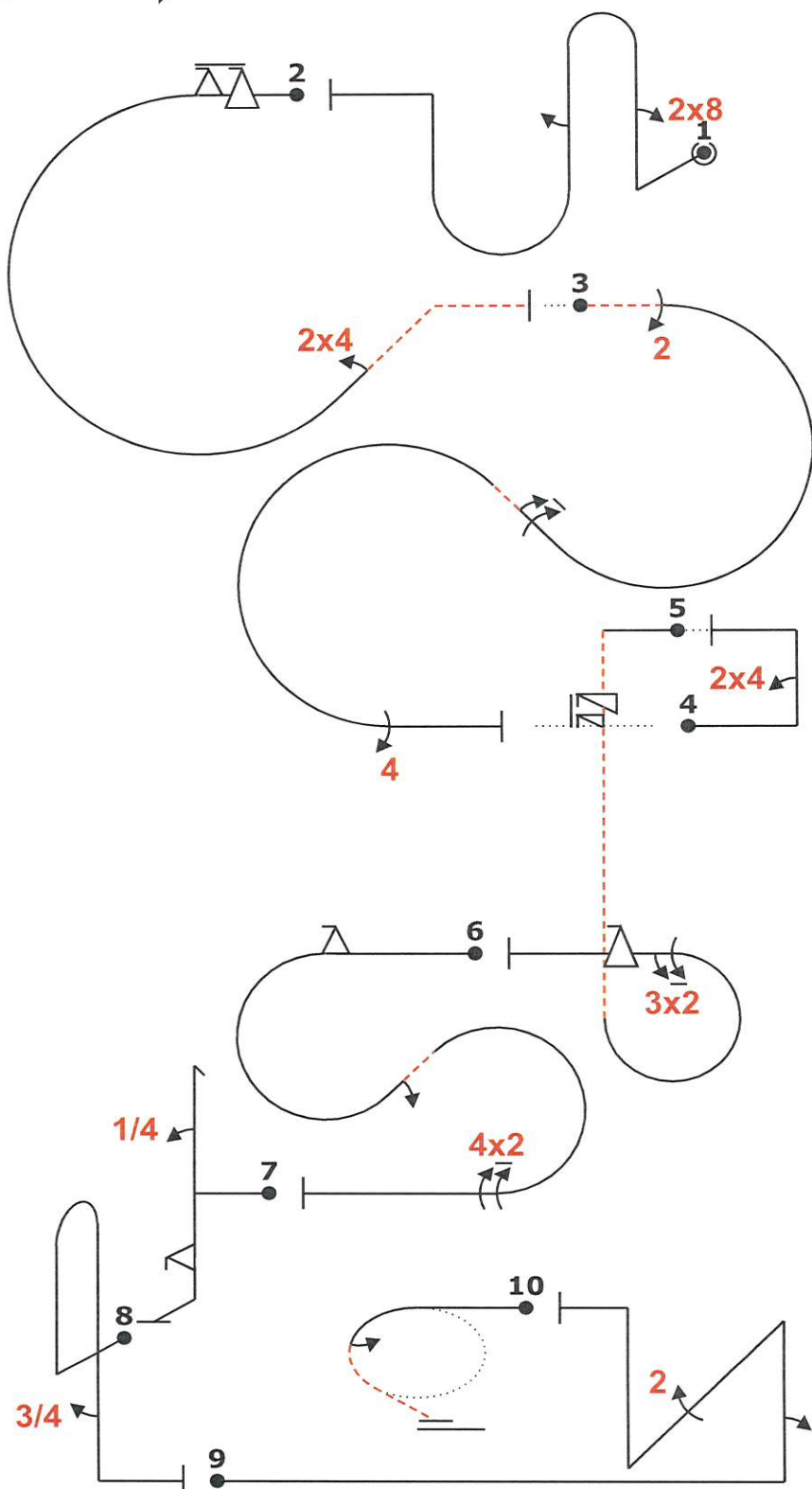


Fig	Grade	Pos	Remarks
1	.		
2	.		
3	.		
4	.		
5	.		
6	.		
7	.		
8	.		
9	.		
10	.		

Positioning  
 30 .

Too Low		Trg Violation	
Too High		Wing Rocks	
Interruptions		Disqual Fig	
Insertions		Other(note...)	

ej "@C" /8..bB(.....2) "@A" 18% .....6fic",24" ..... (1,0) 12% ..... 22iac(" 6")44+  
 (-7,0) ~v',24~ (-2,0) "@B" 6s....'irp,32,f 3% ..... 2fiac(" 2')42+ ..... "@E",4h2f b...3+ "  
 @D" ~+++++2pn(22') /1j5-

Fig 1 C	K	Fig 2 A	K	Fig 3	K	Fig 4	K	Fig 5 B	K	Fig 6	K	Fig 7 E	K	Fig 8	K	Fig 9 D	K	Fig 10	K
8.8.2.1	19	8.5.8.3	11	7.5.2.4	15	1.1.6.1	10	8.6.4.3	13	7.5.5.3	15	5.2.1.1	17	8.4.1.1	13	1.3.13.1	22	2.1.2.1	14
9.8.1.1	7	9.9.3.6	14	9.2.3.4	9	9.4.1.2	9	9.11.1.6	3	9.9.3.2	11	9.1.1.1	6	9.1.5.3	6	9.1.1.2	8		
9.1.5.2	4	9.4.2.2	7	9.1.2.6	12			9.2.3.6	12	9.1.2.2	6	9.9.5.2	11			9.2.4.4	9		
	30		32	9.4.3.4	11		19	9.9.3.4	11	9.2.3.8	15		34		19		39		14

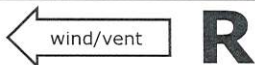


Figure K  
320  
Total K  
350

Judges Name	
Signature	Number

Flight #  
**10**

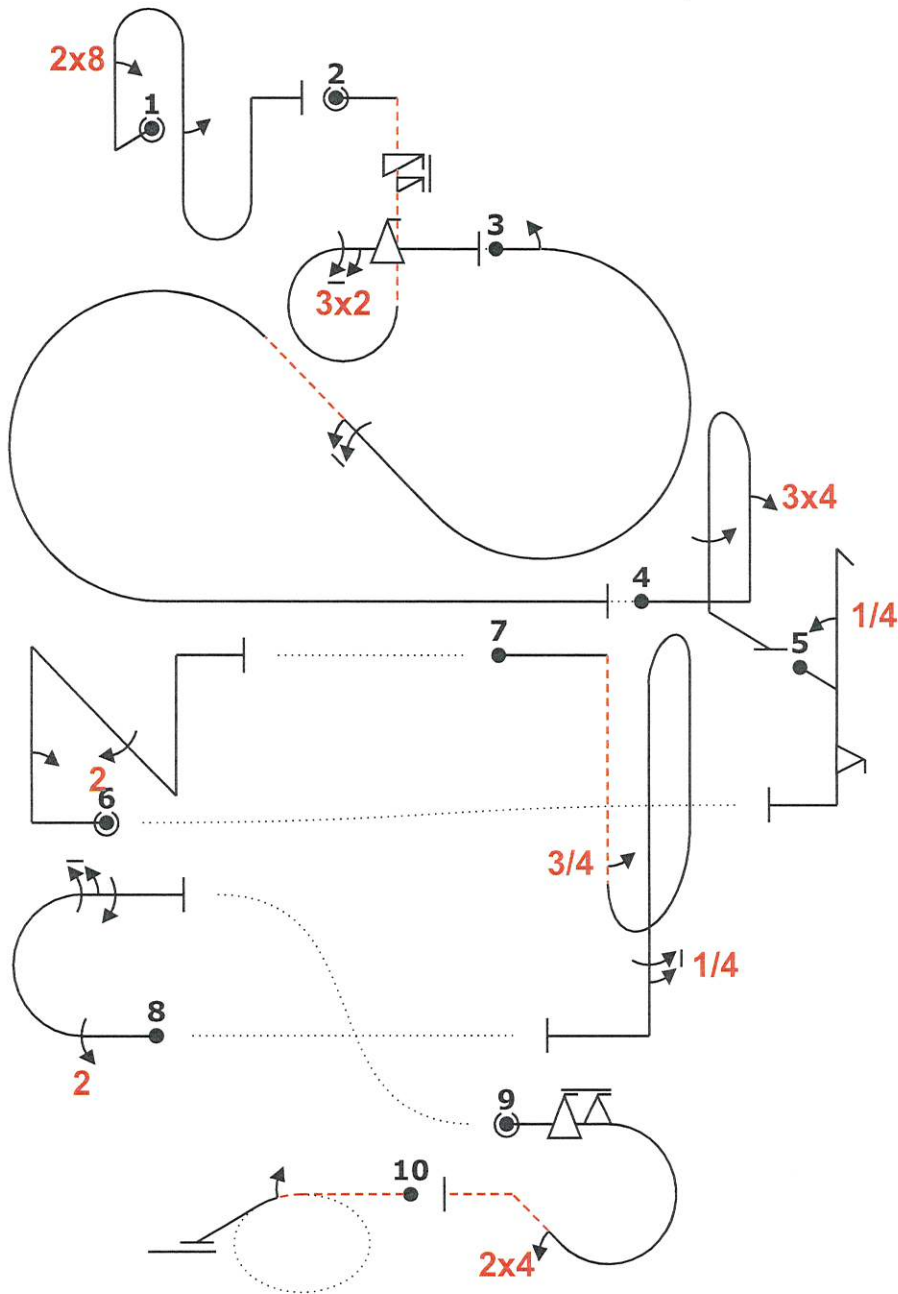


Fig	Grade	Pos	Remarks
1	.		
2	.		
3	.		
4	.		
5	.		
6	.		
7	.		
8	.		
9	.		
10	.		

Positioning  
30

.

Too Low		Trg Violation	
Too High		Wing Rocks	
Interruptions		Disqual Fig	
Insertions		Other(note...)	

ej "@C" ... "8bb( ... )2)+ ... eu "@B" -2% 6sirr,32,f (-3,0) 12% ... 2iac(6)+ ... (-2,0) /,34b1 "@E" ... "4h2f (-35,1) ed "@D" /,2pn(,22) ... (11,0) ... "3iBb( ... ) ... "5" (-19,0) 22m6.1 (15,13) eu "@A" ... "6fic ... "24 ... "1j05

Fig 1 C	K	Fig 2 B	K	Fig 3	K	Fig 4	K	Fig 5 E	K	Fig 6 D	K	Fig 7	K	Fig 8	K	Fig 9 A	K	Fig 10	K
8.8.2.1	19	8.6.4.3	13	7.5.5.3	15	8.4.1.1	13	5.2.1.1	17	1.3.13.1	22	8.8.8.3	19	7.2.2.1	6	8.5.8.3	11	2.1.2.4	15
9.8.1.1	7	9.11.1.6	3	9.1.3.2	4	9.4.1.3	12	9.1.1.1	6	9.1.1.2	8	9.1.5.3	6	9.2.3.4	9	9.9.3.6	14		
9.1.5.2	4	9.2.3.6	12	9.1.2.6	12	9.1.5.4	8	9.9.5.2	11	9.2.4.4	9	9.1.5.5	9	9.1.3.6	10	9.4.2.2	7		
		9.9.3.4	11											9.1.3.4	8				
	<b>30</b>		<b>39</b>		<b>31</b>		<b>33</b>		<b>34</b>		<b>39</b>		<b>34</b>		<b>33</b>		<b>32</b>		<b>15</b>





CIVA Advanced

Programme1

wind/vent →

Figure K

320

Total K

350

Judges Name	
Signature	Number

Flight #  
**10**

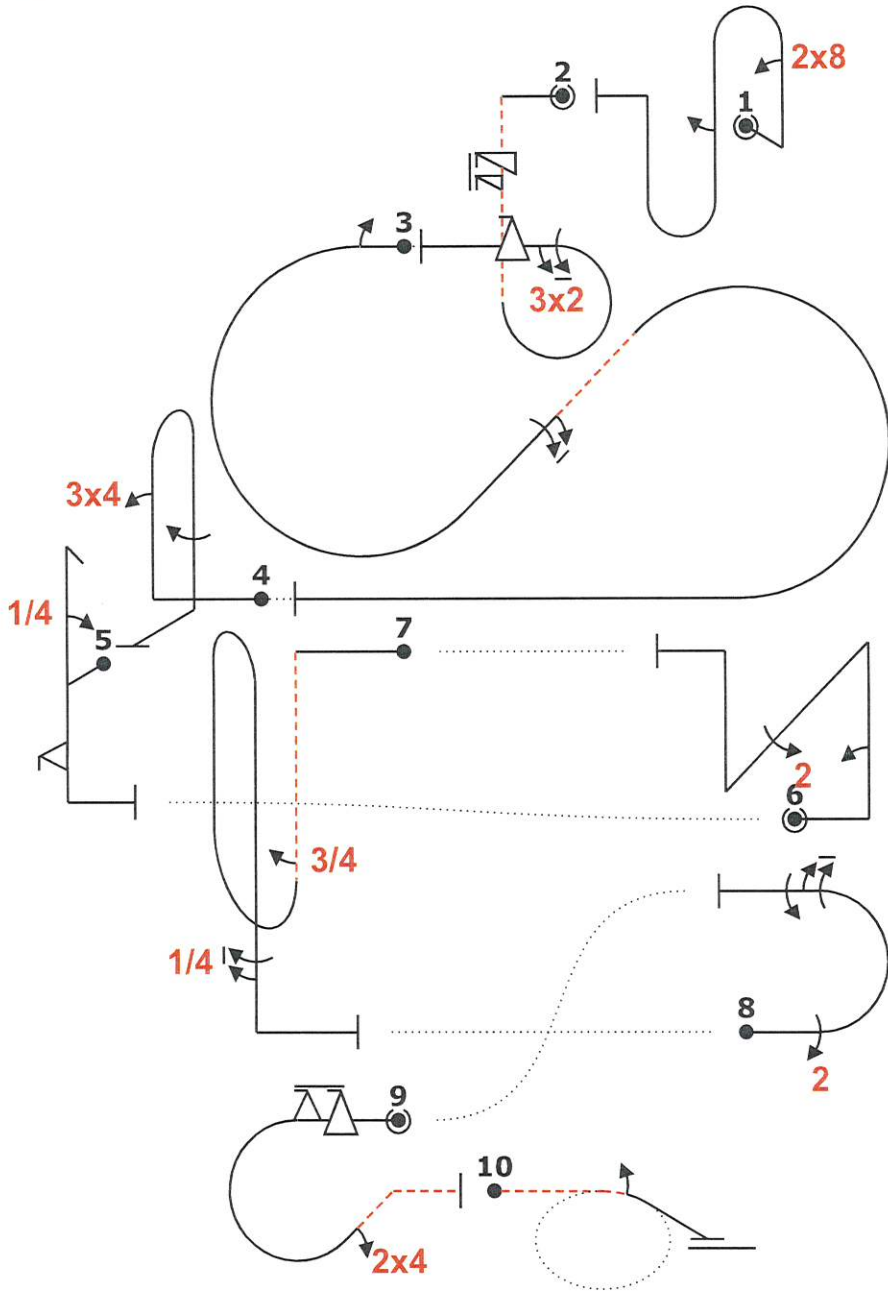


Fig	Grade	Pos	Remarks
1	.		
2	.		
3	.		
4	.		
5	.		
6	.		
7	.		
8	.		
9	.		
10	.		

Positioning

30

.

Too Low

Trg Violation

Too High

Wing Rocks

Interruptions

Disqual Fig

Insertions

Other(note...)

ej "eC" +, "8bb(2)+ eu "eB" -2% 6sarp,32,f (-3,0) 12% 2iac(6)+ (-2,0) /,34b1 "e E" + "4h2f (-35,1) ed "@D" /,2pn(,22) (11,0) ... "31Bb(5) (-19,0) 22m6,1 (15,13) eu "@A" 6fic 24 -1jo5

Fig 1 C	K	Fig 2 B	K	Fig 3	K	Fig 4	K	Fig 5 E	K	Fig 6 D	K	Fig 7	K	Fig 8	K	Fig 9 A	K	Fig 10	K
8.8.2.1	19	8.6.4.3	13	7.5.5.3	15	8.4.1.1	13	5.2.1.1	17	1.3.13.1	22	8.8.8.3	19	7.2.2.1	6	8.5.8.3	11	2.1.2.4	15
9.8.1.1	7	9.11.1.6	3	9.1.3.2	4	9.4.1.3	12	9.1.1.1	6	9.1.1.2	8	9.1.5.3	6	9.2.3.4	9	9.9.3.6	14		
9.1.5.2	4	9.2.3.6	12	9.1.2.6	12	9.1.5.4	8	9.9.5.2	11	9.2.4.4	9	9.1.5.5	9	9.1.3.6	10	9.4.2.2	7		
		9.9.3.4	11											9.1.3.4	8				
	<b>30</b>		<b>39</b>		<b>31</b>		<b>33</b>		<b>34</b>		<b>39</b>		<b>34</b>		<b>33</b>		<b>32</b>		<b>15</b>

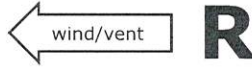


Figure K  
320  
Total K  
350

Judges Name	
Signature	Number

Flight #  
**11**

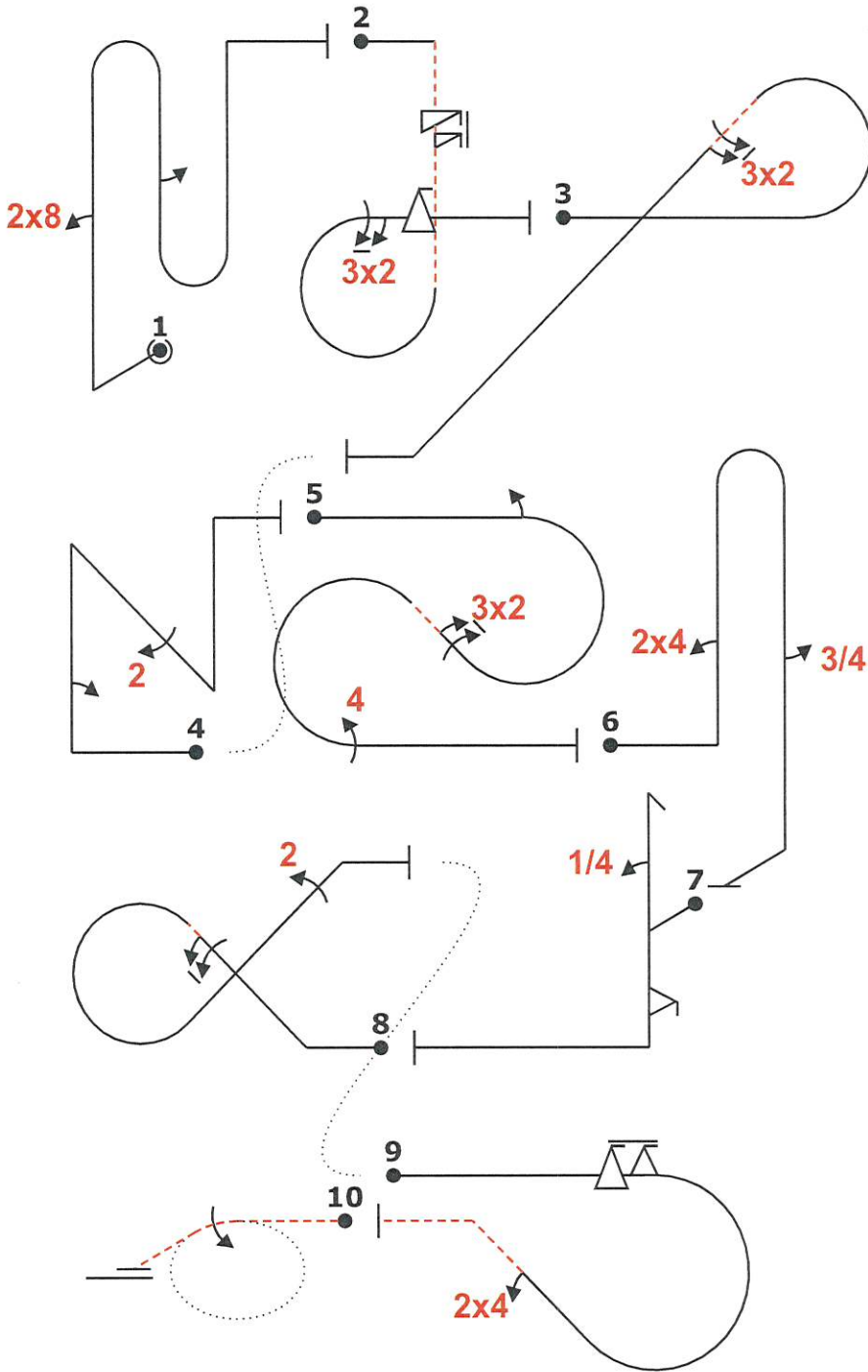


Fig	Grade	Pos	Remarks
1	.		
2	.		
3	.		
4	.		
5	.		
6	.		
7	.		
8	.		
9	.		
10	.		

Positioning  
**30**

Too Low		Trg Violation	
Too High		Wing Rocks	
Interruptions		Disqual Fig	
Insertions		Other(note...)	

ej "@C" . "8.. 'bb( "2).. " @8" 6sirr,32,f c32..... (-5,17) "@0" +,2'pn(,22) 2% .....2iac( " ,32')44+ ..... 24.. 'b.'3..' "@E" 4h2f+++~ 6 g.22 (-5,18) "@A" 4% ..... 6fic'24' ..... -1j1-

Fig 1 C	K	Fig 2 B	K	Fig 3	K	Fig 4 D	K	Fig 5	K	Fig 6	K	Fig 7 E	K	Fig 8	K	Fig 9 A	K	Fig 10	K
8.8.2.1	19	8.6.4.3	13	8.5.6.1	10	1.3.13.1	22	7.5.5.3	15	8.4.1.1	13	5.2.1.1	17	7.3.2.1	14	8.5.8.3	11	2.1.3.2	15
9.8.1.1	7	9.11.1.6	3	9.2.4.6	12	9.1.1.2	8	9.1.3.2	4	9.4.1.2	9	9.1.1.1	6	9.1.2.6	12	9.9.3.6	14		
9.1.5.2	4	9.2.3.6	12			9.2.4.4	9	9.2.2.6	14	9.1.5.3	6	9.9.5.2	11	9.2.2.4	11	9.4.2.2	7		
		9.9.3.4	11					9.4.3.4	11										
	<b>30</b>		<b>39</b>		<b>22</b>		<b>39</b>		<b>44</b>		<b>28</b>		<b>34</b>		<b>37</b>		<b>32</b>		<b>15</b>



CIVA Advanced

Programme 1

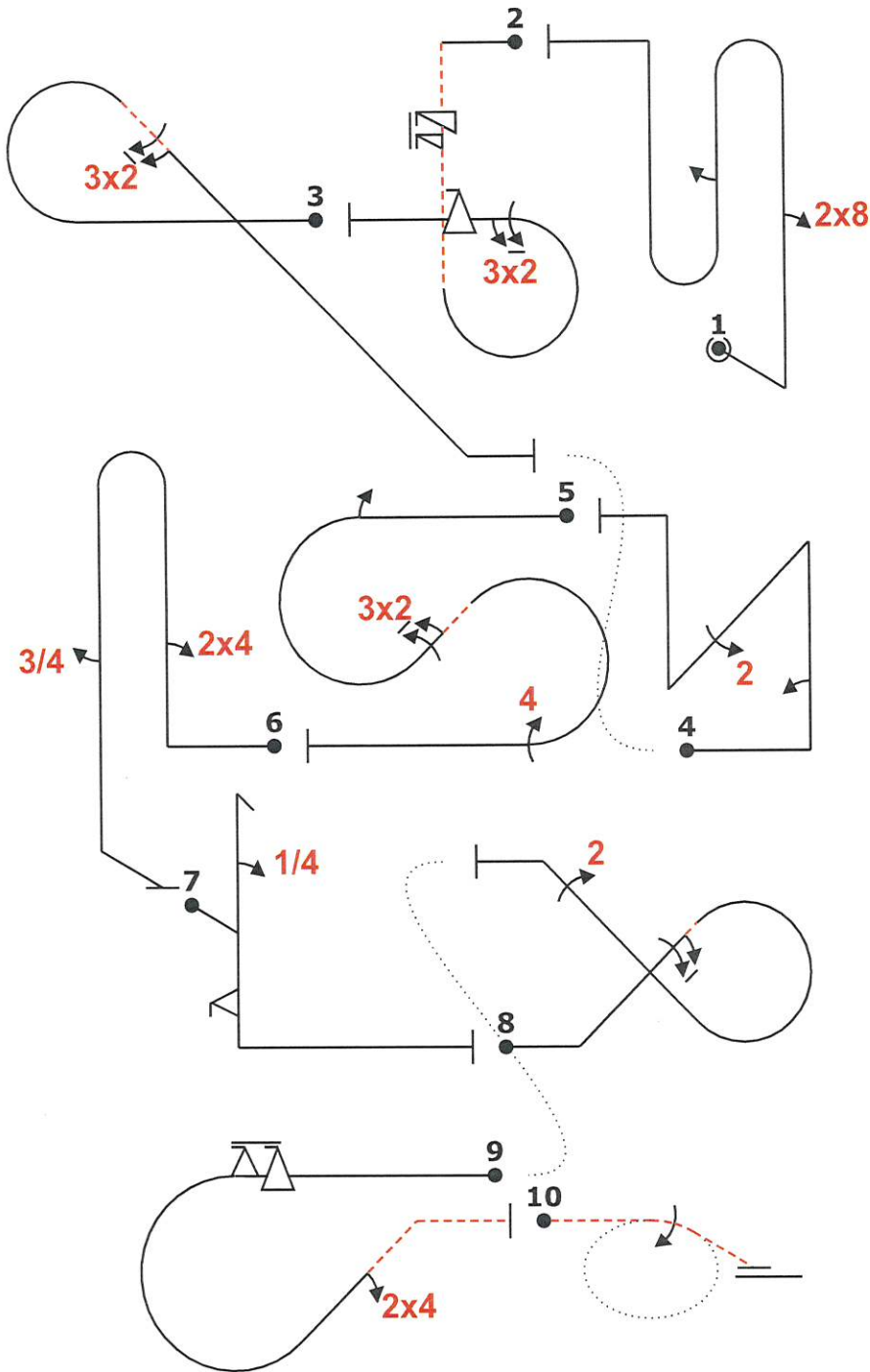
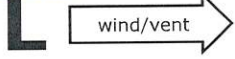


Figure K  
320  
Total K  
350

Judges Name	
Signature	Number

Flight #  
**11**

Fig	Grade	Pos	Remarks
1	.		
2	.		
3	.		
4	.		
5	.		
6	.		
7	.		
8	.		
9	.		
10	.		

Positioning  
30

Too Low		Trg Violation	
Too High		Wing Rocks	
Interruptions		Disqual Fig	
Insertions		Other(note...)	

ej "@C" .8.. 'bb('2).. "@B" 6s1rp,32,f c32.....' (-5,17) "@D" +,2'pn(,22) 2% .....2iac('',32')44+ .....  
24..'b.'3..' "@E" 4h2f+++ 6 g.22 (-5,18) "@A" 4% .....6fic'24 ..... -1j1-

Fig 1 C	K	Fig 2 B	K	Fig 3	K	Fig 4 D	K	Fig 5	K	Fig 6	K	Fig 7 E	K	Fig 8	K	Fig 9 A	K	Fig 10	K
8.8.2.1	19	8.6.4.3	13	8.5.6.1	10	1.3.13.1	22	7.5.5.3	15	8.4.1.1	13	5.2.1.1	17	7.3.2.1	14	8.5.8.3	11	2.1.3.2	15
9.8.1.1	7	9.11.1.6	3	9.2.4.6	12	9.1.1.2	8	9.1.3.2	4	9.4.1.2	9	9.1.1.1	6	9.1.2.6	12	9.9.3.6	14		
9.1.5.2	4	9.2.3.6	12			9.2.4.4	9	9.2.2.6	14	9.1.5.3	6	9.9.5.2	11	9.2.2.4	11	9.4.2.2	7		
		9.9.3.4	11					9.4.3.4	11										
	<b>30</b>		<b>39</b>		<b>22</b>		<b>39</b>		<b>44</b>		<b>28</b>		<b>34</b>		<b>37</b>		<b>32</b>		<b>15</b>

wind/vent ← **R**

Figure K  
320  
Total K  
350

Judges Name  
Signature  
Number

Flight #  
**12**

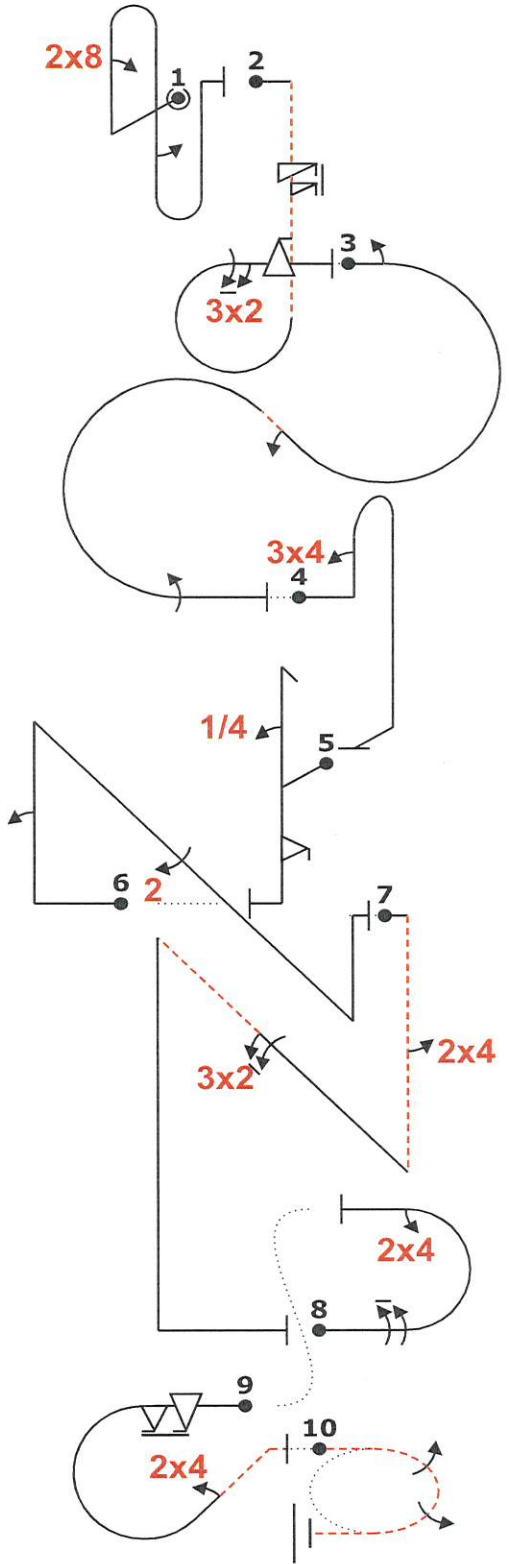


Fig	Grade	Pos	Remarks
1	.		
2	.		
3	.		
4	.		
5	.		
6	.		
7	.		
8	.		
9	.		
10	.		

Positioning  
30

Too Low		Trg Violation	
Too High		Wing Rocks	
Interruptions		Disqual Fig	
Insertions		Other(note...)	

ej "@C" -3% +", | "8' 'bb('2) . ' + -1% "@B" + '6s' irp,32, f (-3,0) 8% ..... 2iac('2")1+ .....  
 (-2,0) + '34' b.' + " @E" 4h2f+ ' (-4,0) "@D" ~ '2pn(. ,22....) + (-3,0) + '24' in(.  
 '32.'') ..... + 9m24 (-2,13) 1% "@A" + 6fic'24' (-2,0) -2jo2-

Fig 1 C	K	Fig 2 B	K	Fig 3	K	Fig 4	K	Fig 5 E	K	Fig 6 D	K	Fig 7	K	Fig 8	K	Fig 9 A	K	Fig 10	K
8.8.2.1	19	8.6.4.3	13	7.5.5.3	15	8.4.1.1	13	5.2.1.1	17	1.3.13.1	22	1.3.16.3	21	7.2.2.1	6	8.5.8.3	11	2.2.5.4	25
9.8.1.1	7	9.11.1.6	3	9.1.3.2	4	9.4.1.3	12	9.1.1.1	6	9.1.1.2	8	9.4.5.2	5	9.1.3.8	12	9.9.3.6	14		
9.1.5.2	4	9.2.3.6	12	9.1.2.2	6			9.9.5.2	11	9.2.4.4	9	9.2.2.6	14	9.4.3.2	5	9.4.2.2	7		
	<b>30</b>	9.9.3.4	11	9.1.3.4	8		<b>25</b>		<b>34</b>		<b>39</b>		<b>40</b>		<b>23</b>		<b>32</b>		<b>25</b>



CIVA Advanced  
Programme1

Figure K  
320  
Total K  
350

Judges Name  
Signature Number

Flight #  
**12**

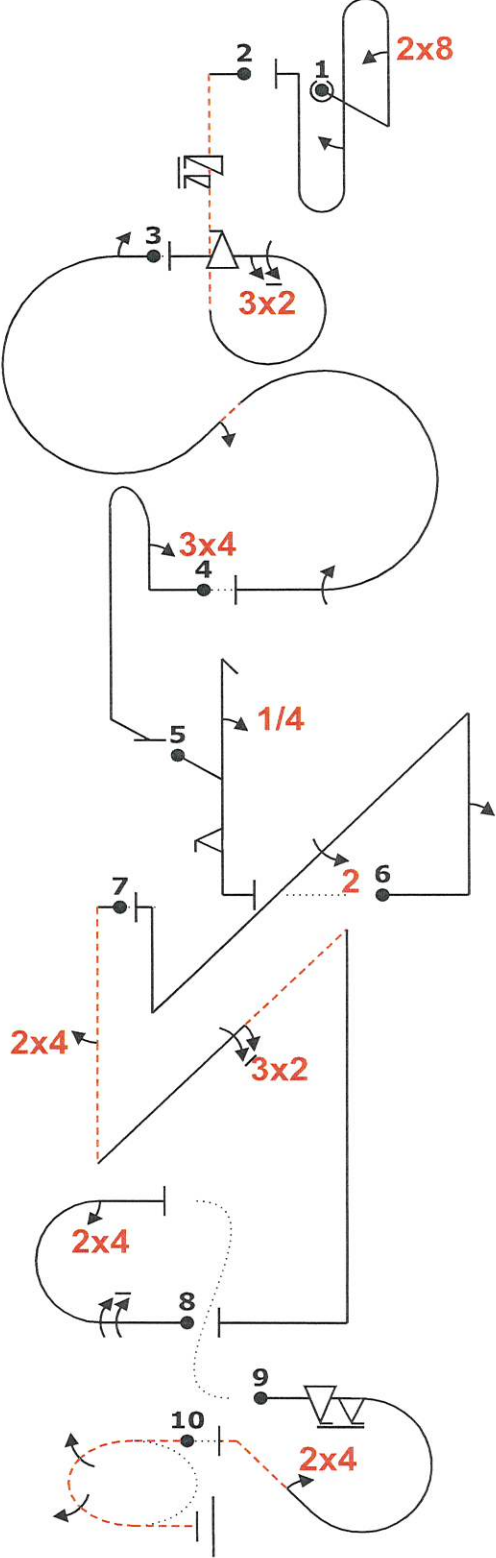


Fig	Grade	Pos	Remarks
1	.		
2	.		
3	.		
4	.		
5	.		
6	.		
7	.		
8	.		
9	.		
10	.		

Positioning  
30 .

Too Low		Trg Violation	
Too High		Wing Rocks	
Interruptions		Disqual Fig	
Insertions		Other(note...)	

ej "@C" -3% +... "8" bb('2)... -1% "@B" +... '6s' irp,32,f... (-3,0) 8% ..... 2iac('2')1+...  
(-2,0) +... '34' b.' +... "@E" 4h2f'+... (-4,0) "@0" ~'2pn('22...') +... (-3,0) +... '24'in(.  
'32...').....'+ 9m24 (-2,13) 1% "@A" ..... 6fic'24..... (-2,0) -2jo2-

Fig 1 C	K	Fig 2 B	K	Fig 3	K	Fig 4	K	Fig 5 E	K	Fig 6 D	K	Fig 7	K	Fig 8	K	Fig 9 A	K	Fig 10	K
8.8.2.1	19	8.6.4.3	13	7.5.5.3	15	8.4.1.1	13	5.2.1.1	17	1.3.13.1	22	1.3.16.3	21	7.2.2.1	6	8.5.8.3	11	2.2.5.4	25
9.8.1.1	7	9.11.1.6	3	9.1.3.2	4	9.4.1.3	12	9.1.1.1	6	9.1.1.2	8	9.4.5.2	5	9.1.3.8	12	9.9.3.6	14		
9.1.5.2	4	9.2.3.6	12	9.1.2.2	6			9.9.5.2	11	9.2.4.4	9	9.2.2.6	14	9.4.3.2	5	9.4.2.2	7		
		9.9.3.4	11	9.1.3.4	8														
	<b>30</b>		<b>39</b>		<b>33</b>		<b>25</b>		<b>34</b>		<b>39</b>		<b>40</b>		<b>23</b>		<b>32</b>		<b>25</b>

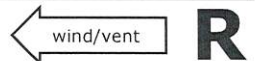


Figure K  
 320  
 Total K  
 350

Judges Name	
Signature	Number

Flight #  
**13**

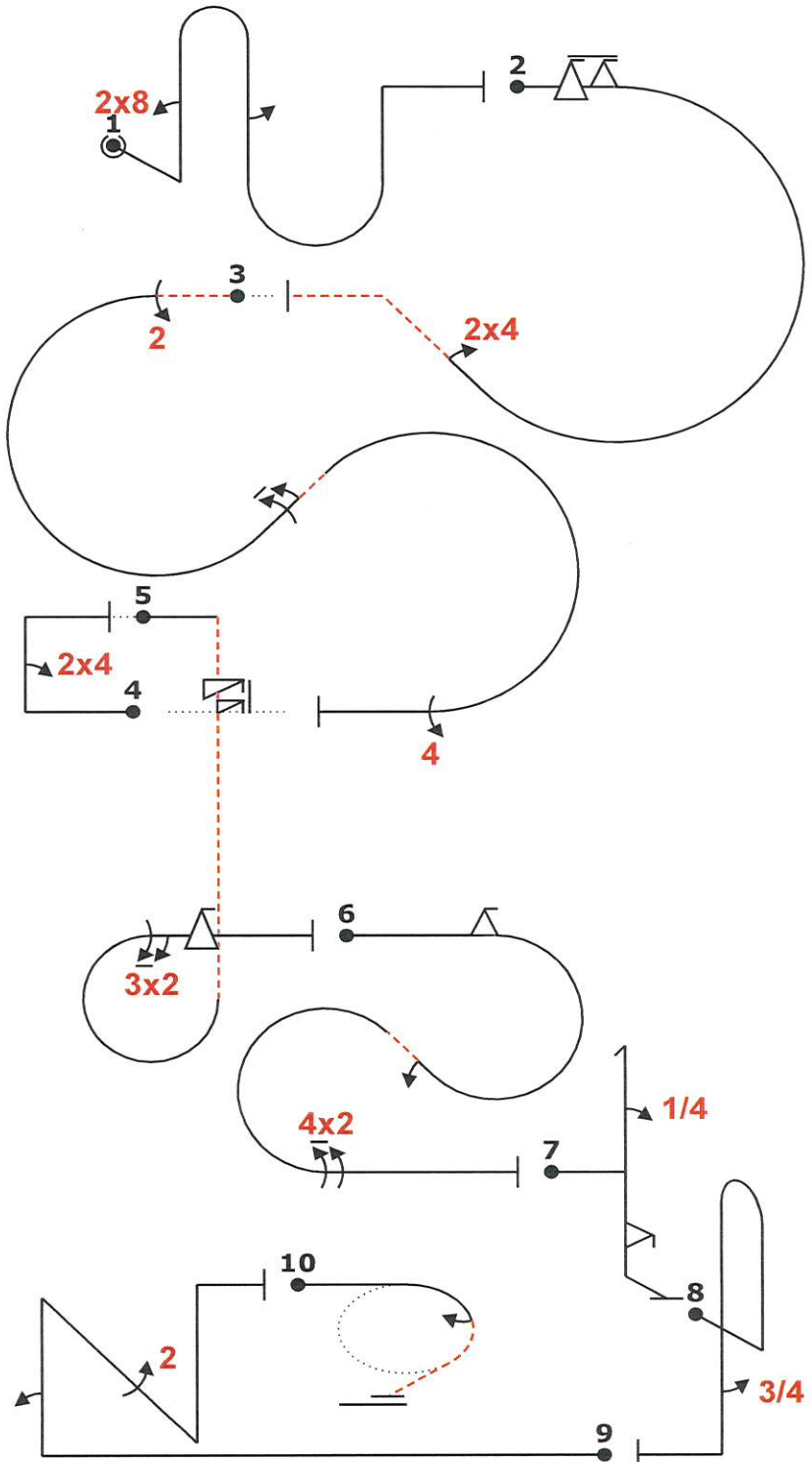


Fig	Grade	Pos	Remarks
1	.		
2	.		
3	.		
4	.		
5	.		
6	.		
7	.		
8	.		
9	.		
10	.		

Positioning  
 30 .

Too Low		Trg Violation	
Too High		Wing Rocks	
Interruptions		Disqual Fig	
Insertions		Other(note...)	

ej "@C" /s.bb("2) "@A" 18% ..... 6fic',24' ..... (1,0) 12% ..... 22iac('6')44+ .....  
 ..... (-7,0) ~v',24' ~ (-2,0) "@B" 6s...'irp,32,f 3% ..... 2fiac('2')42+ ..... "@E",4h2f b..3+ "  
 @D" ~+++++2pn(22') /1j5-

Fig 1 C	K	Fig 2 A	K	Fig 3	K	Fig 4	K	Fig 5 B	K	Fig 6	K	Fig 7 E	K	Fig 8	K	Fig 9 D	K	Fig 10	K
8.8.2.1	19	8.5.8.3	11	7.5.2.4	15	1.1.6.1	10	8.6.4.3	13	7.5.5.3	15	5.2.1.1	17	8.4.1.1	13	1.3.13.1	22	2.1.2.1	14
9.8.1.1	7	9.9.3.6	14	9.2.3.4	9	9.4.1.2	9	9.11.1.6	3	9.9.3.2	11	9.1.1.1	6	9.1.5.3	6	9.1.1.2	8		
9.1.5.2	4	9.4.2.2	7	9.1.2.6	12			9.2.3.6	12	9.1.2.2	6	9.9.5.2	11			9.2.4.4	9		
				9.4.3.4	11			9.9.3.4	11	9.2.3.8	15								
	<b>30</b>		<b>32</b>		<b>47</b>		<b>19</b>		<b>39</b>		<b>47</b>		<b>34</b>		<b>19</b>		<b>39</b>		<b>14</b>



Figure K  
**320**  
 Total K  
**350**

Judges Name	
Signature	Number

Flight #  
**13**

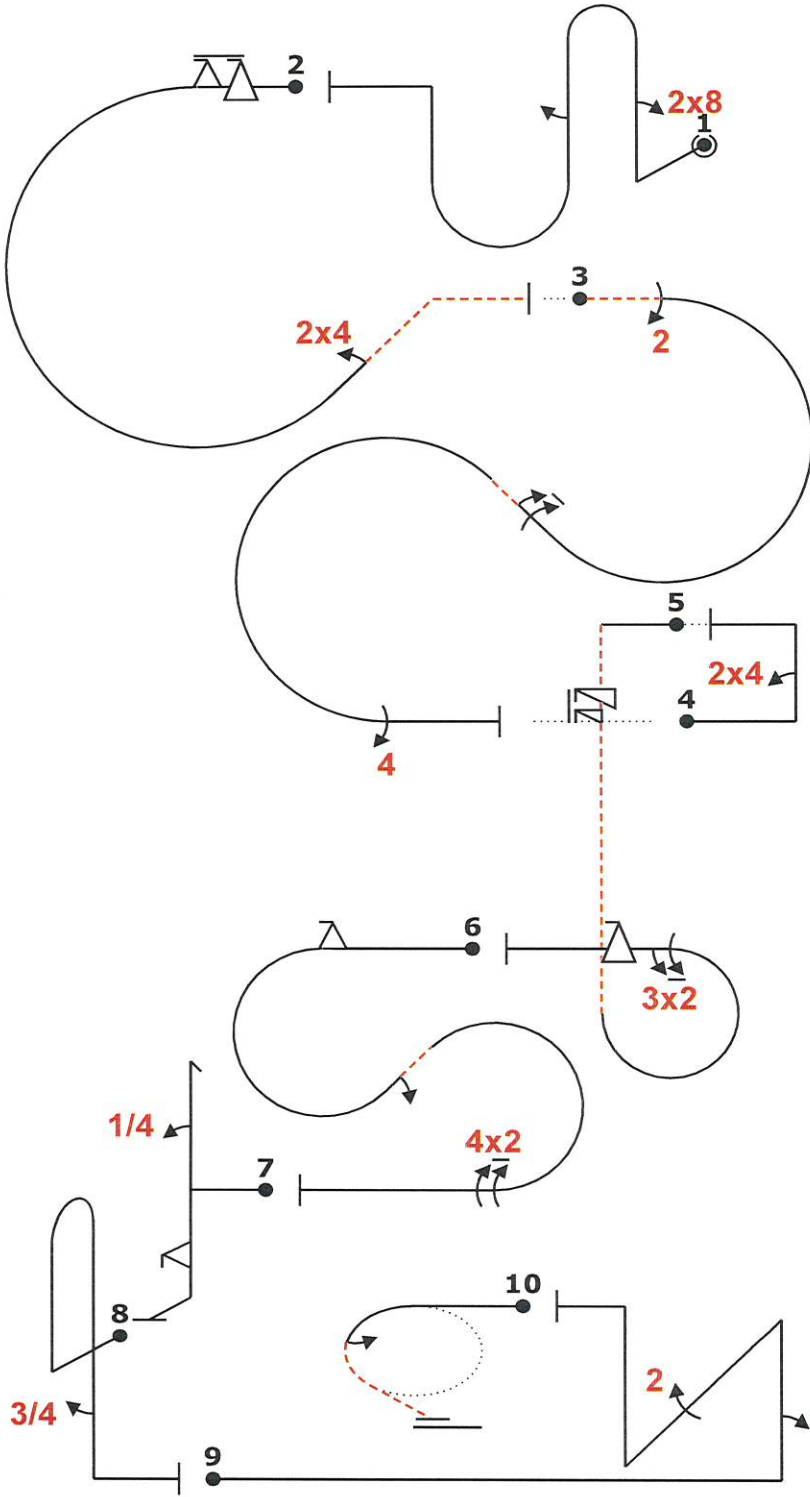


Fig	Grade	Pos	Remarks
1	.		
2	.		
3	.		
4	.		
5	.		
6	.		
7	.		
8	.		
9	.		
10	.		

Positioning  
**30**

Too Low		Trg Violation	
Too High		Wing Rocks	
Interruptions		Disqual Fig	
Insertions		Other(note...)	

ej "@C" /8.bb("2) "@A" 18% 6fic",24 (1,0) 12% 22iac("6")44+  
 (-7,0) ~v",24 ~ (-2,0) "@B" 6s... 'irp,32,f 3% 2fiac("2")42+ "@E",4h2f b..3+  
 @0" ~+++++2pn(22') /1j5-

Fig 1 C	K	Fig 2 A	K	Fig 3	K	Fig 4	K	Fig 5 B	K	Fig 6	K	Fig 7 E	K	Fig 8	K	Fig 9 D	K	Fig 10	K
8.8.2.1	19	8.5.8.3	11	7.5.2.4	15	1.1.6.1	10	8.6.4.3	13	7.5.5.3	15	5.2.1.1	17	8.4.1.1	13	1.3.13.1	22	2.1.2.1	14
9.8.1.1	7	9.9.3.6	14	9.2.3.4	9	9.4.1.2	9	9.11.1.6	3	9.9.3.2	11	9.1.1.1	6	9.1.5.3	6	9.1.1.2	8		
9.1.5.2	4	9.4.2.2	7	9.1.2.6	12			9.2.3.6	12	9.1.2.2	6	9.9.5.2	11			9.2.4.4	9		
	<b>30</b>		<b>32</b>	9.4.3.4	11			9.9.3.4	11	9.2.3.8	15				<b>19</b>		<b>39</b>		<b>14</b>

wind/vent ← **R**

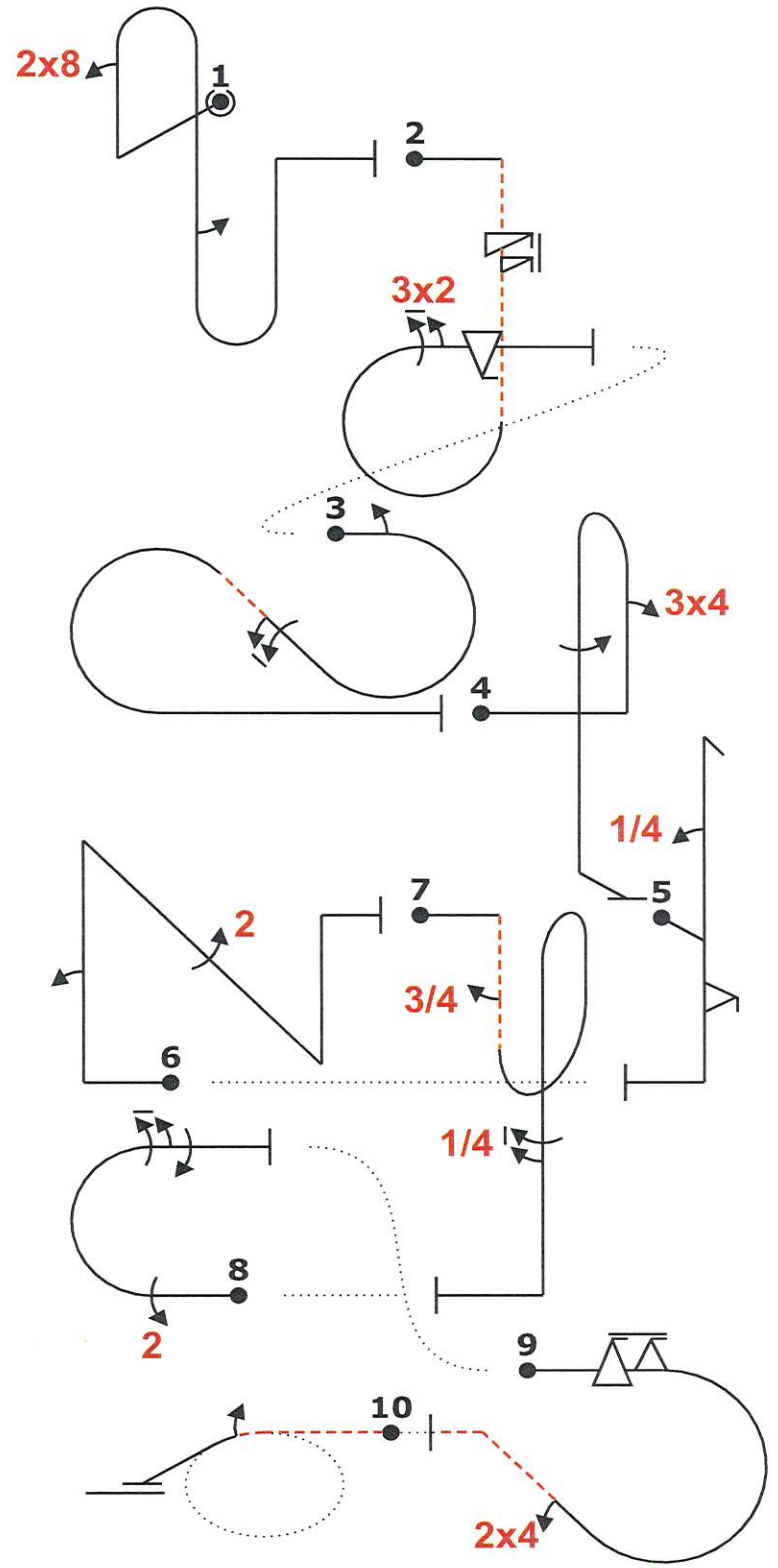


Fig	Grade	Pos	Remarks
1	.		
2	.		
3	.		
4	.		
5	.		
6	.		
7	.		
8	.		
9	.		
10	.		

Positioning  
**30**

Too Low		Trg Violation	
Too High		Wing Rocks	
Interruptions		Disqual Fig	
Insertions		Other(note...)	

ej "@C" ~8bb(2)'+ "@B" 6sirp32,f+ (-17,10) 1% ..... 2iac(6)+ ..... /~,34b1..... "@E" +''4'h'2f''  
(-19,0) "@D" ''2'pn('22.')' + -1% /' '+,3''ibb(' .....),,5. (-6,0) 22m6,1 (9,12) "@A" 3% ..... 6fic  
24' ..... (2,0) -1j05

Fig 1 C	K	Fig 2 B	K	Fig 3	K	Fig 4	K	Fig 5 E	K	Fig 6 D	K	Fig 7	K	Fig 8	K	Fig 9 A	K	Fig 10	K
8.8.2.1	19	8.6.4.3	13	7.5.5.3	15	8.4.1.1	13	5.2.1.1	17	1.3.13.1	22	8.8.8.3	19	7.2.2.1	6	8.5.8.3	11	2.1.2.4	15
9.8.1.1	7	9.11.1.6	3	9.1.3.2	4	9.4.1.3	12	9.1.1.1	6	9.1.1.2	8	9.1.5.3	6	9.2.3.4	9	9.9.3.6	14		
9.1.5.2	4	9.2.3.6	12	9.1.2.6	12	9.1.5.4	8	9.9.5.2	11	9.2.4.4	9	9.1.5.5	9	9.1.3.6	10	9.4.2.2	7		
		9.9.3.4	11											9.1.3.4	8				
	<b>30</b>		<b>39</b>		<b>31</b>		<b>33</b>		<b>34</b>		<b>39</b>		<b>34</b>		<b>33</b>		<b>32</b>		<b>15</b>



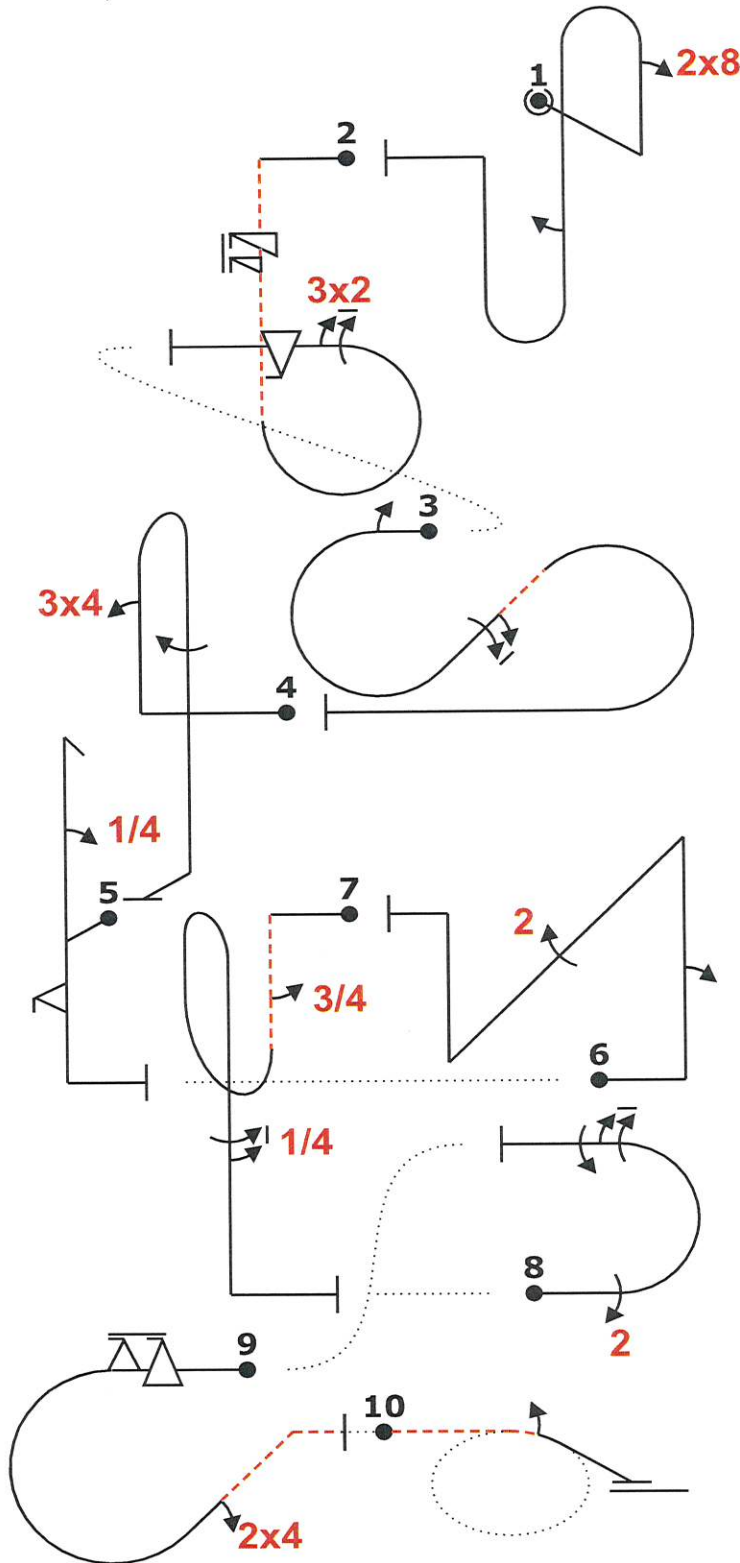


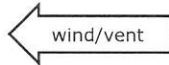
Fig	Grade	Pos	Remarks
1	.		
2	.		
3	.		
4	.		
5	.		
6	.		
7	.		
8	.		
9	.		
10	.		

Positioning  
30

Too Low		Trg Violation	
Too High		Wing Rocks	
Interruptions		Disqual Fig	
Insertions		Other(note...)	

ej "@C" ---8bb(2)'+ "@B" 6sirr32,f+ (-17,10) 1% .....2iac(6)+ /~,34b1...'+ "@E" '+ '4'h'2f'' (-19,0) "@D" '2'pn('22.')'+ -1% /'+,3' 18b(.....),...5.' (-6,0) 22m6,1 (9,12) "@A" 3% .....6fic '24''..... (2,0) -1j05

Fig 1 C	K	Fig 2 B	K	Fig 3	K	Fig 4	K	Fig 5 E	K	Fig 6 D	K	Fig 7	K	Fig 8	K	Fig 9 A	K	Fig 10	K
8.8.2.1	19	8.6.4.3	13	7.5.5.3	15	8.4.1.1	13	5.2.1.1	17	1.3.13.1	22	8.8.8.3	19	7.2.2.1	6	8.5.8.3	11	2.1.2.4	15
9.8.1.1	7	9.11.1.6	3	9.1.3.2	4	9.4.1.3	12	9.1.1.1	6	9.1.1.2	8	9.1.5.3	6	9.2.3.4	9	9.9.3.6	14		
9.1.5.2	4	9.2.3.6	12	9.1.2.6	12	9.1.5.4	8	9.9.5.2	11	9.2.4.4	9	9.1.5.5	9	9.1.3.6	10	9.4.2.2	7		
		9.9.3.4	11											9.1.3.4	8				
	<b>30</b>		<b>39</b>		<b>31</b>		<b>33</b>		<b>34</b>		<b>39</b>		<b>34</b>		<b>33</b>		<b>32</b>		<b>15</b>



**R**

Figure K  
320  
Total K  
350

Judges Name	
Signature	Number

Flight #  
**15**

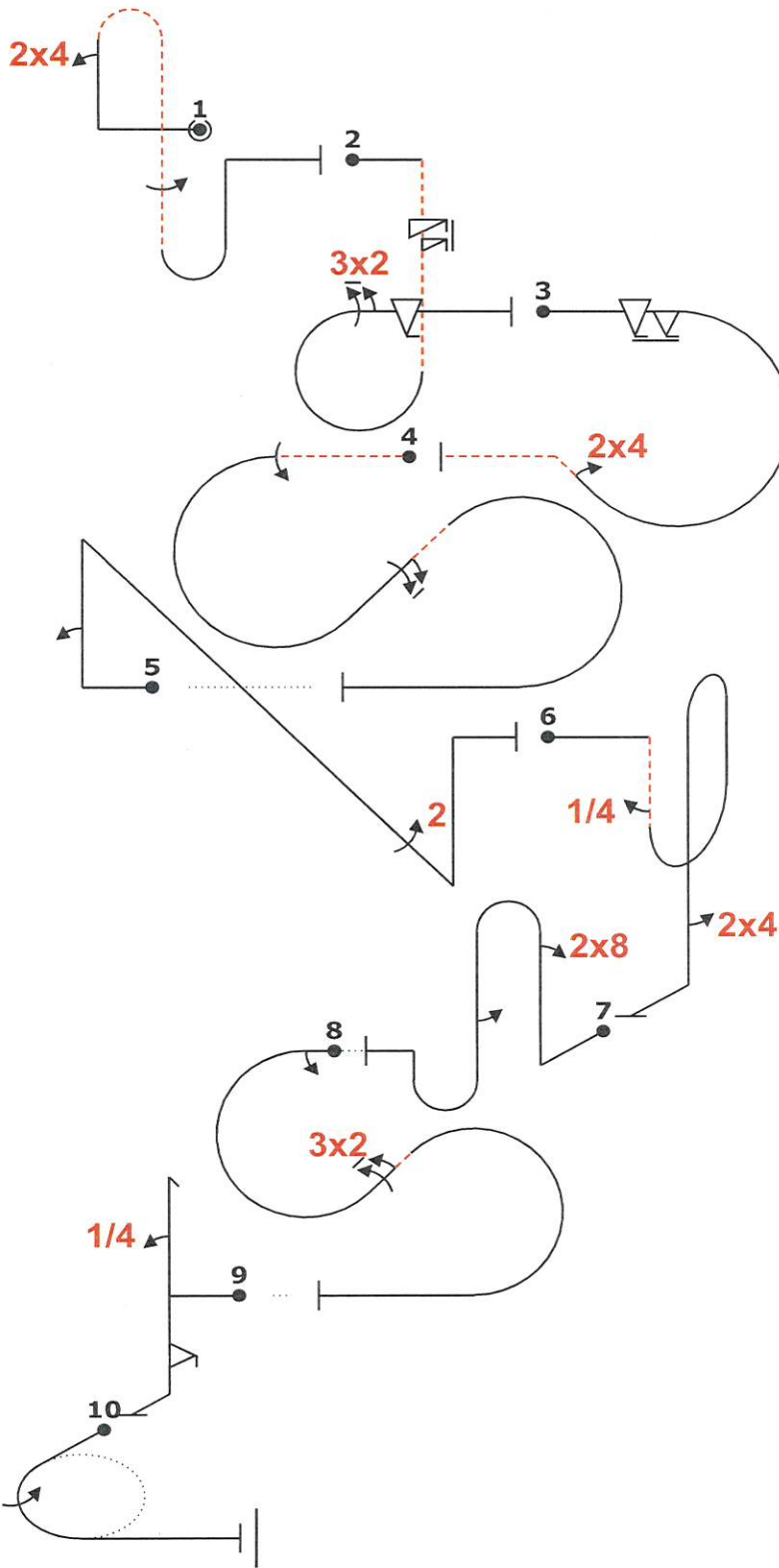


Fig	Grade	Pos	Remarks
1	.		
2	.		
3	.		
4	.		
5	.		
6	.		
7	.		
8	.		
9	.		
10	.		

Positioning

30

.

Too Low		Trg Violation	
Too High		Wing Rocks	
Interruptions		Disqual Fig	
Insertions		Other(note...)	

ed 24pbb(1) "@B" 6sirr32,f "@A" 8% ..... ,6fic",24 ..... - 6% ..... 1iac(,6')+ ..... (-8,0)  
 "@D" 2pn(.....22) ,418b(.....).....24 "@C" ,8bb(.....2) ..... (2,0) 4% ..... 2iac(.....32")+  
 ..... (-1,0) "@E" 4h2f 1j1+~

Fig 1	K	Fig 2 B	K	Fig 3 A	K	Fig 4	K	Fig 5 D	K	Fig 6	K	Fig 7 C	K	Fig 8	K	Fig 9 E	K	Fig 10	K
8.8.6.1	21	8.6.4.3	13	8.5.8.3	11	7.5.2.4	15	1.3.13.1	22	8.8.8.3	19	8.8.2.1	19	7.5.5.3	15	5.2.1.1	17	2.1.3.1	14
9.4.1.2	9	9.11.1.6	3	9.9.3.6	14	9.1.3.4	8	9.1.1.2	8	9.1.5.1	2	9.8.1.1	7	9.1.3.2	4	9.1.1.1	6		
9.1.5.4	8	9.2.3.6	12	9.4.2.2	7	9.1.2.6	12	9.2.4.4	9	9.4.5.2	5	9.1.5.2	4	9.2.2.6	14	9.9.5.2	11		
	<b>38</b>	9.9.3.4	11		<b>32</b>		<b>35</b>		<b>39</b>		<b>26</b>		<b>30</b>		<b>33</b>		<b>34</b>		<b>14</b>



CIVA Advanced  
Free Known

Figure K  
320  
Total K  
350

Judges Name  
Signature Number

Flight #  
**15**

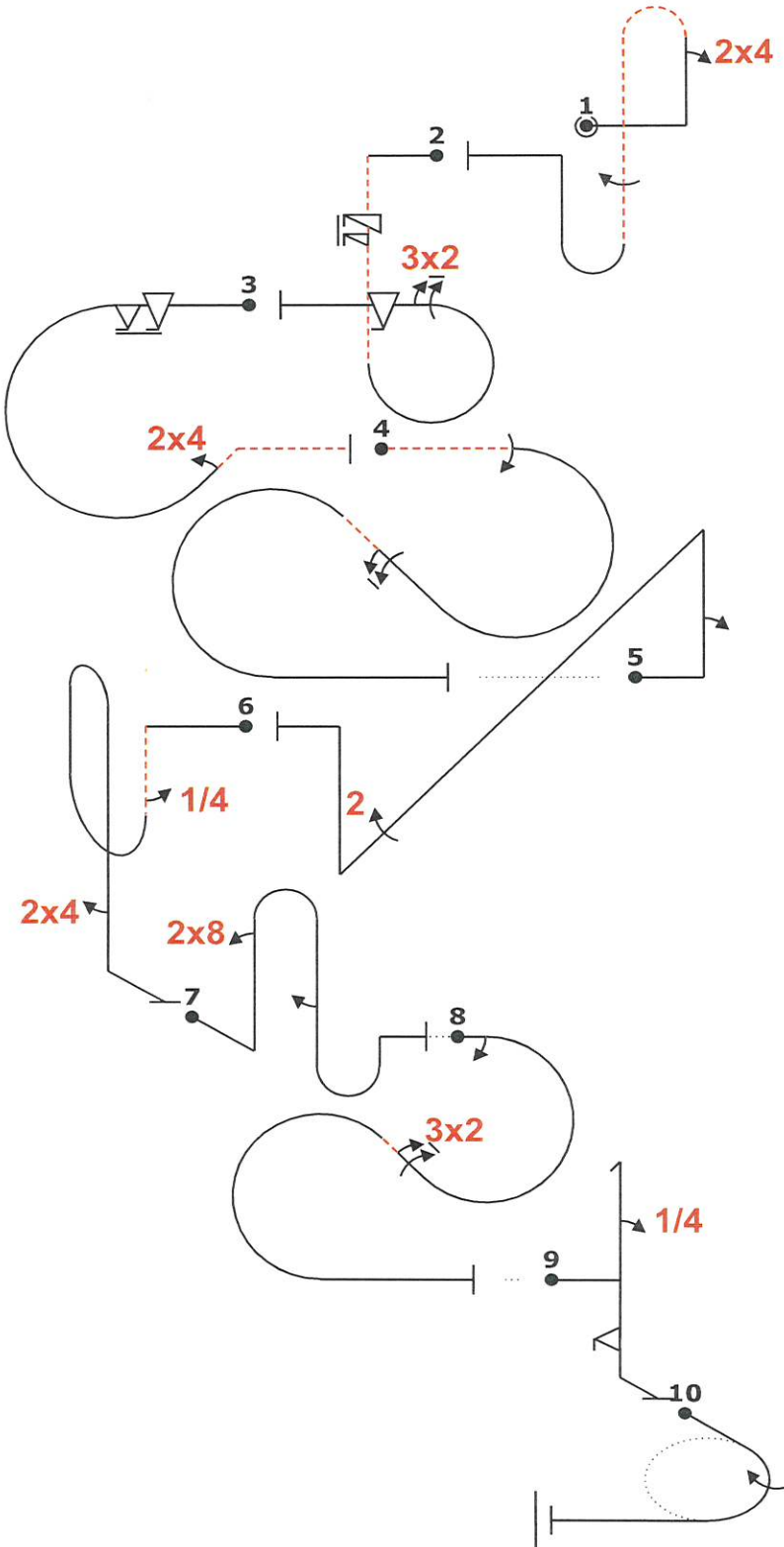


Fig	Grade	Pos	Remarks
1	.		
2	.		
3	.		
4	.		
5	.		
6	.		
7	.		
8	.		
9	.		
10	.		

Positioning  
30 .

Too Low		Trg Violation	
Too High		Wing Rocks	
Interruptions		Disqual Fig	
Insertions		Other(note...)	

ed 24pbb(1) "@B" 6sirr32,f "@A" 8% .....6fic" ,24 ..... 6% .....liac(,6')+ ..... (-8,0)  
"@D" 2pn(.....22) ,41bb(.....).....24 "@C" ,8bb(.....2) ..... (2,0) 4% .....2iac("32")+  
..... (-1,0) "@E" 4h2f 1j1+~

Fig 1	K	Fig 2 B	K	Fig 3 A	K	Fig 4	K	Fig 5 D	K	Fig 6	K	Fig 7 C	K	Fig 8	K	Fig 9 E	K	Fig 10	K
8.8.6.1	21	8.6.4.3	13	8.5.8.3	11	7.5.2.4	15	1.3.13.1	22	8.8.8.3	19	8.8.2.1	19	7.5.5.3	15	5.2.1.1	17	2.1.3.1	14
9.4.1.2	9	9.11.1.6	3	9.9.3.6	14	9.1.3.4	8	9.1.1.2	8	9.1.5.1	2	9.8.1.1	7	9.1.3.2	4	9.1.1.1	6		
9.1.5.4	8	9.2.3.6	12	9.4.2.2	7	9.1.2.6	12	9.2.4.4	9	9.4.5.2	5	9.1.5.2	4	9.2.2.6	14	9.9.5.2	11		
	38	9.9.3.4	11		39		35		39		26		30		33		34		14

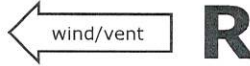


Figure K  
320  
Total K  
350

Judges Name	
Signature	Number

Flight #  
**16**

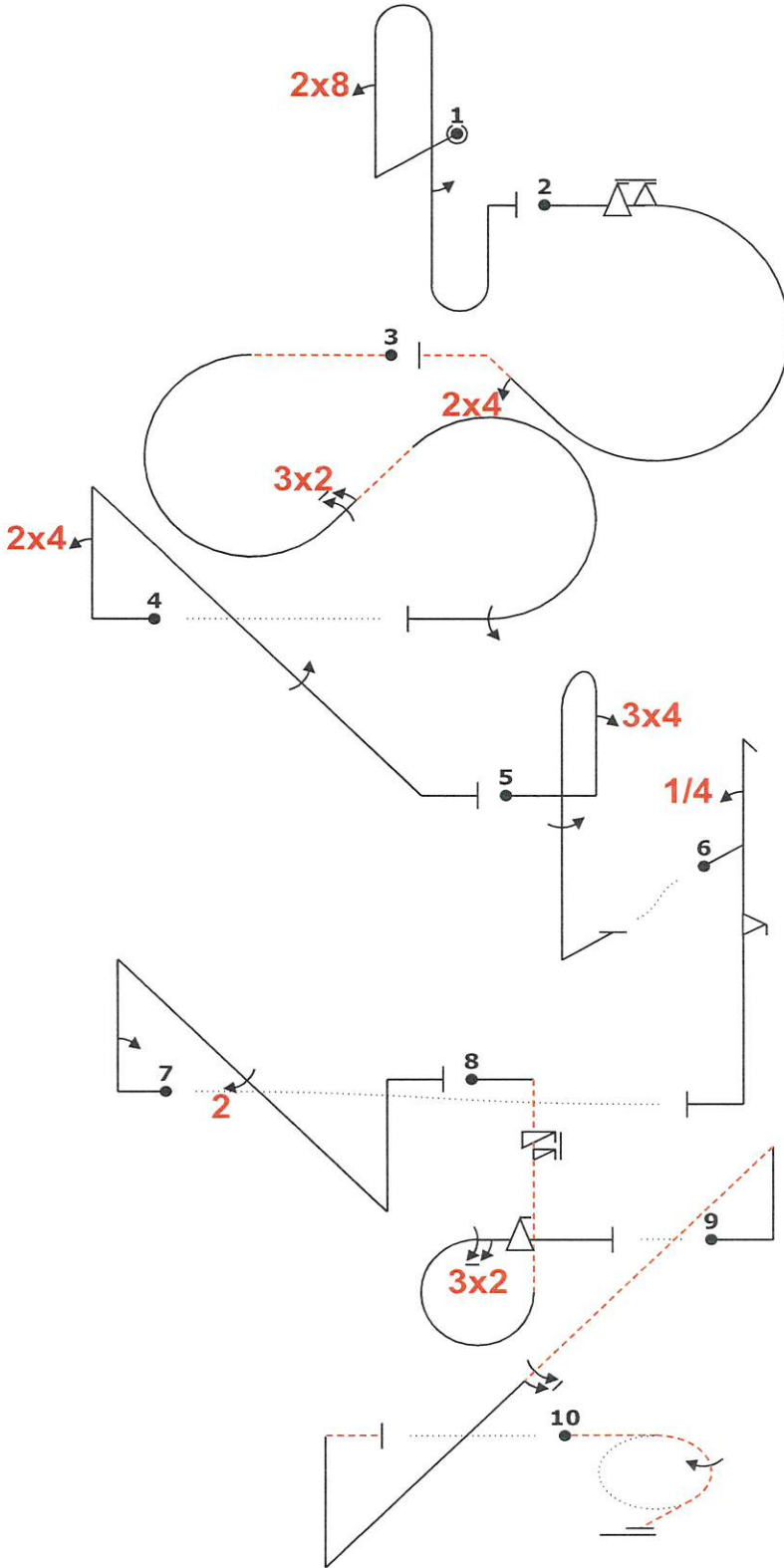


Fig	Grade	Pos	Remarks
1	.		
2	.		
3	.		
4	.		
5	.		
6	.		
7	.		
8	.		
9	.		
10	.		

Positioning  
30

Too Low		Trg Violation	
Too High		Wing Rocks	
Interruptions		Disqual Fig	
Insertions		Other(note...)	

ej "@C" +''8.bb(''2.)+'''' "@A" 14% ..... 6fic' 24' ..... 9% ..... iac(''32)1+ ..... (-1  
4,0) 24k.....'1.' ,34b.1...^ (3,-3) "@E" 4h''2f....' (-33,-1) "@D" '+,2pn(''.,22....)' "@B" 6s''irp,32,f (3,0) ''  
n(.....'6.....')- (9,0) -1j1-

Fig 1 C	K	Fig 2 A	K	Fig 3	K	Fig 4	K	Fig 5	K	Fig 6 E	K	Fig 7 D	K	Fig 8 B	K	Fig 9	K	Fig 10	K
8.8.2.1	19	8.5.8.3	11	7.5.2.4	15	1.2.6.1	14	8.4.1.1	13	5.2.1.1	17	1.3.13.1	22	8.6.4.3	13	1.3.11.1	20	2.1.3.2	15
9.8.1.1	7	9.9.3.6	14	9.2.2.6	14	9.4.1.2	9	9.4.1.3	12	9.1.1.1	6	9.1.1.2	8	9.1.1.6	3	9.1.4.6	10		
9.1.5.2	4	9.4.2.2	7	9.1.3.4	8	9.1.4.4	8	9.1.5.4	8	9.9.5.2	11	9.2.4.4	9	9.2.3.6	12				
	<b>30</b>		<b>32</b>		<b>37</b>		<b>31</b>		<b>33</b>		<b>34</b>		<b>39</b>		<b>39</b>		<b>30</b>		<b>15</b>



CIVA Advanced

Programme1

wind/vent →

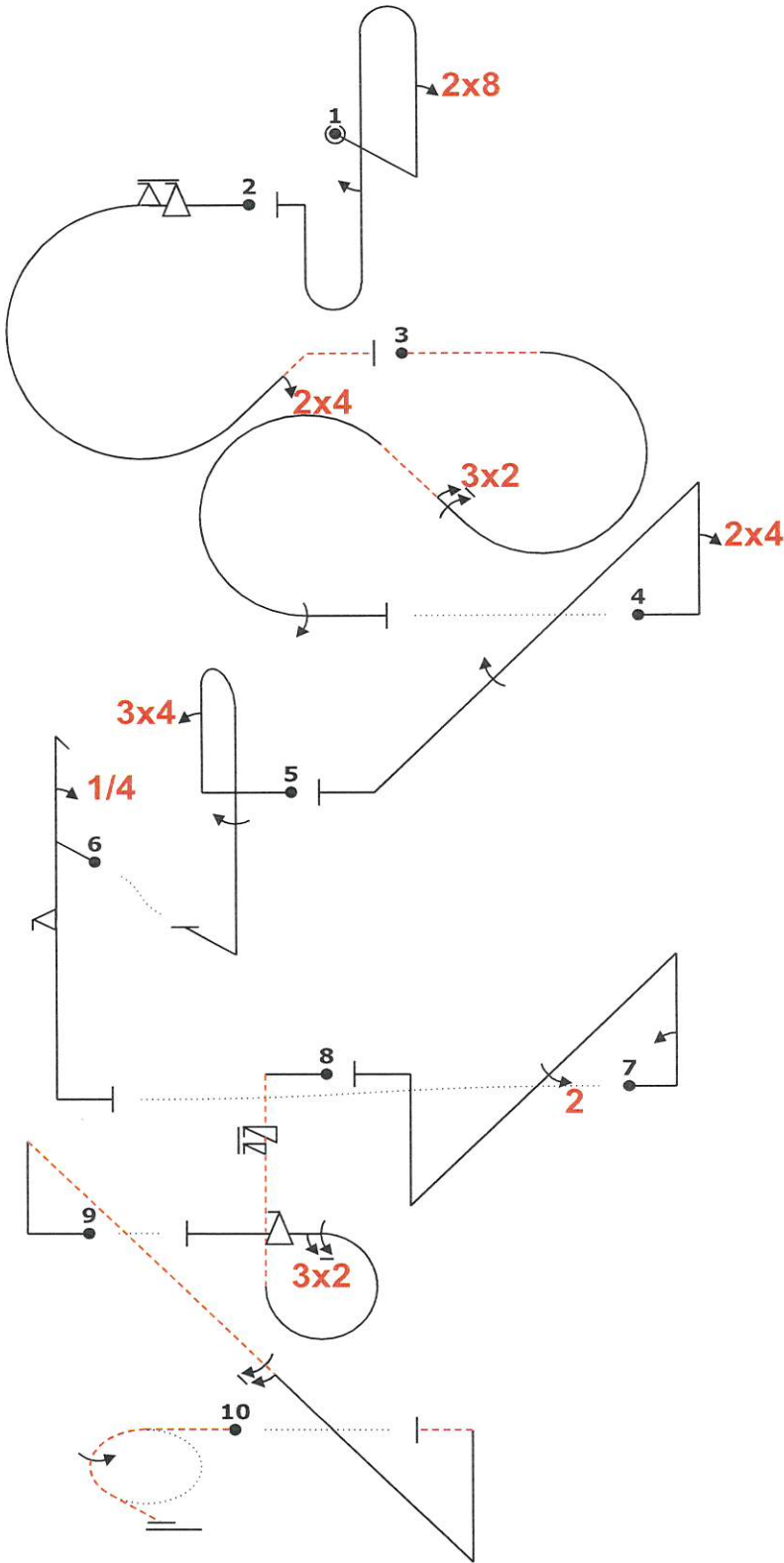


Figure K  
320  
Total K  
350

Judges Name	
Signature	Number

Flight #  
**16**

Fig	Grade	Pos	Remarks
1	.		
2	.		
3	.		
4	.		
5	.		
6	.		
7	.		
8	.		
9	.		
10	.		

Positioning  
30 .

Too Low		Trg Violation	
Too High		Wing Rocks	
Interruptions		Disqual Fig	
Insertions		Other(note...)	

ej "@C" +'8.bb('2.)+ "" @A" 14% .....6fic"24" ..... 9% .....iac('32)1+ ..... (-1  
4,0) 24k.....'1.' ,34b.1..^ (3,-3) "@E" 4h"2f..... (-33,-1) "@D" '+,2pn(.,,22.....) "@B" 6s''irp,32,f (3,0) ..  
"n(.....'6.....)- (9,0) -1j1-

Fig 1 C	K	Fig 2 A	K	Fig 3	K	Fig 4	K	Fig 5	K	Fig 6 E	K	Fig 7 D	K	Fig 8 B	K	Fig 9	K	Fig 10	K
8.8.2.1	19	8.5.8.3	11	7.5.2.4	15	1.2.6.1	14	8.4.1.1	13	5.2.1.1	17	1.3.13.1	22	8.6.4.3	13	1.3.11.1	20	2.1.3.2	15
9.8.1.1	7	9.9.3.6	14	9.2.2.6	14	9.4.1.2	9	9.4.1.3	12	9.1.1.1	6	9.1.1.2	8	9.1.1.6	3	9.1.4.6	10		
9.1.5.2	4	9.4.2.2	7	9.1.3.4	8	9.1.4.4	8	9.1.5.4	8	9.9.5.2	11	9.2.4.4	9	9.2.3.6	12				
	<b>30</b>		<b>32</b>		<b>37</b>		<b>31</b>		<b>33</b>		<b>34</b>		<b>39</b>		<b>39</b>		<b>30</b>		<b>15</b>

← wind/vent **R**

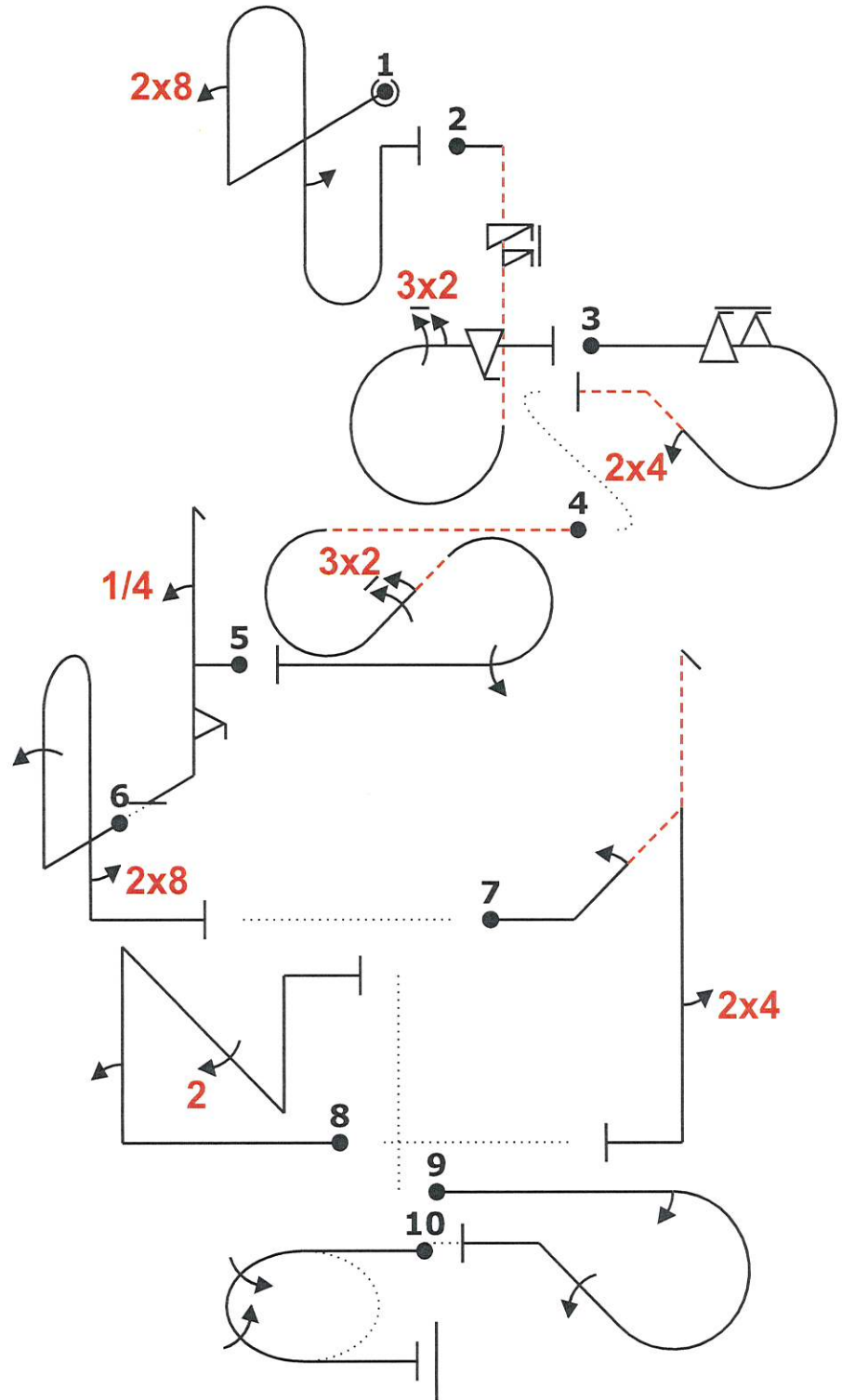


Fig	Grade	Pos	Remarks
1	.		
2	.		
3	.		
4	.		
5	.		
6	.		
7	.		
8	.		
9	.		
10	.		

Positioning **30**

Too Low		Trg Violation	
Too High		Wing Rocks	
Interruptions		Disqual Fig	
Insertions		Other(note...)	

ej "@C" ~++8'bb('2)+... "@B" ~+6sirp32,f+... "@A" -1%... 6fic24... - (4,7) -2% -iac(32)1+... "@E" ~++  
4h 2f (2,-1) 1b.'8' (11,0) 2dh..24.' (-10,0) "@0" ~++2pn(,22) [0,11] ~,2ic1... (2,0) 2j2

Fig 1 C	K	Fig 2 B	K	Fig 3 A	K	Fig 4	K	Fig 5 E	K	Fig 6	K	Fig 7	K	Fig 8 D	K	Fig 9	K	Fig 10	K
8.8.2.1	19	8.6.4.3	13	8.5.8.3	11	7.5.2.4	15	5.2.1.1	17	8.4.1.1	13	5.3.2.1	24	1.3.13.1	22	8.5.7.3	10	2.2.5.1	22
9.8.1.1	7	9.11.1.6	3	9.9.3.6	14	9.2.2.6	14	9.1.1.1	6	9.1.1.4	12	9.1.2.2	6	9.1.1.2	8	9.1.3.2	4		
9.1.5.2	4	9.2.3.6	12	9.4.2.2	7	9.1.3.4	8	9.9.5.2	11	9.8.5.1	3	9.4.5.2	5	9.2.4.4	9	9.1.2.4	10		
	<b>30</b>	9.9.3.4	11		<b>32</b>		<b>37</b>		<b>34</b>		<b>28</b>		<b>35</b>		<b>39</b>		<b>24</b>		<b>22</b>



Figure K  
320  
Total K  
350

Judges Name	
Signature	Number

Flight #  
**17**

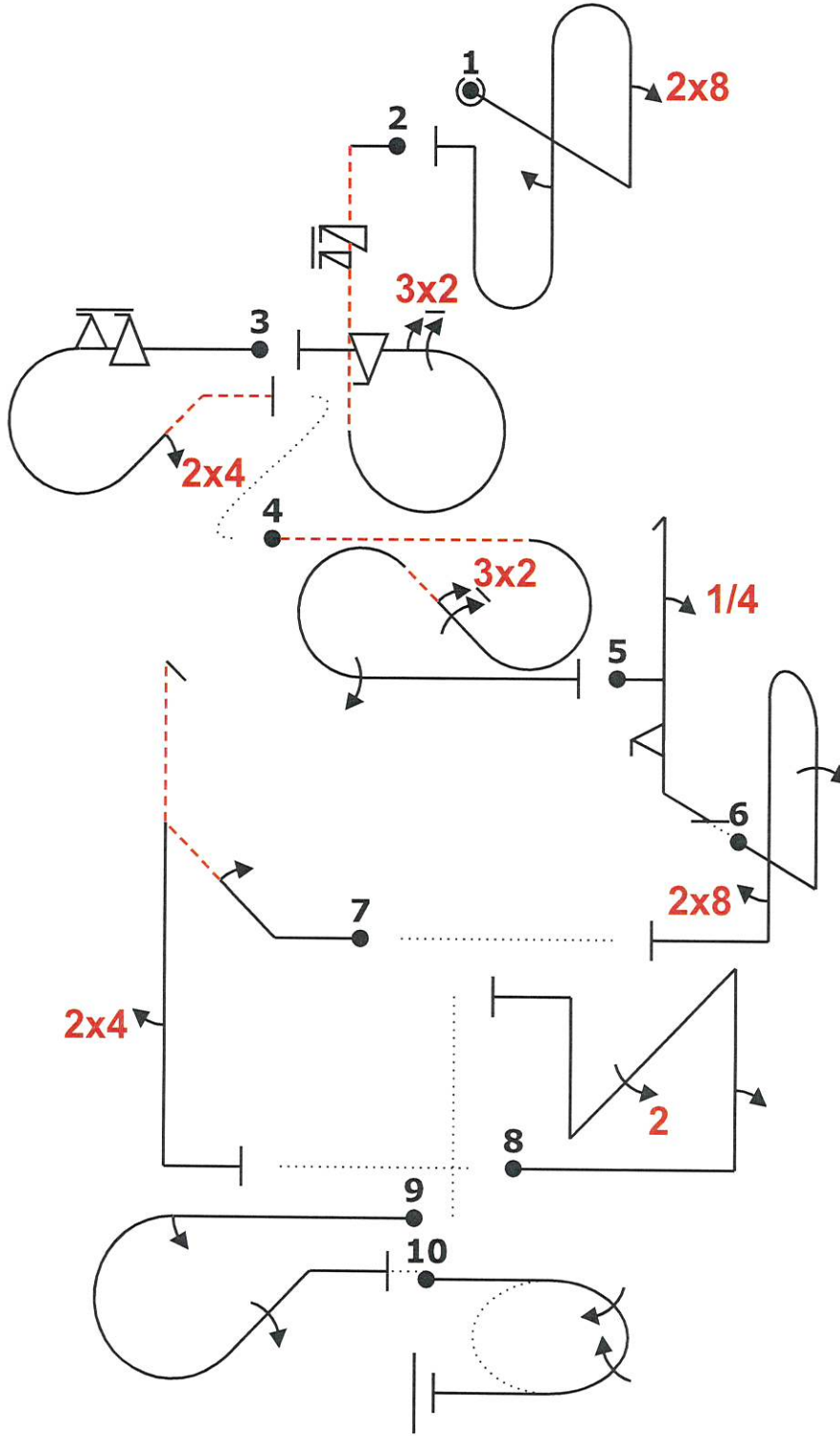


Fig	Grade	Pos	Remarks
1	.		
2	.		
3	.		
4	.		
5	.		
6	.		
7	.		
8	.		
9	.		
10	.		

Positioning  
30 .

Too Low		Trg Violation	
Too High		Wing Rocks	
Interruptions		Disqual Fig	
Insertions		Other(note...)	

ej "@C" ~++8'bb(2)+... "@B" ...+6sirr32,f+... "@A" -1% 6fic24... - (4,7) -2% -iac(32)1+... "@E" ...+ 4h'2f (2,-1) 1b.'8" (11,0) 2dh..24.' (-10,0) "@D" ~++2pn(.22) [0,11] ,2ic1 (2,0) 2j2

Fig 1 C	K	Fig 2 B	K	Fig 3 A	K	Fig 4	K	Fig 5 E	K	Fig 6	K	Fig 7	K	Fig 8 D	K	Fig 9	K	Fig 10	K
8.8.2.1	19	8.6.4.3	13	8.5.8.3	11	7.5.2.4	15	5.2.1.1	17	8.4.1.1	13	5.3.2.1	24	1.3.13.1	22	8.5.7.3	10	2.2.5.1	22
9.8.1.1	7	9.11.1.6	3	9.9.3.6	14	9.2.2.6	14	9.1.1.1	6	9.1.1.4	12	9.1.2.2	6	9.1.1.2	8	9.1.3.2	4		
9.1.5.2	4	9.2.3.6	12	9.4.2.2	7	9.1.3.4	8	9.9.5.2	11	9.8.5.1	3	9.4.5.2	5	9.2.4.4	9	9.1.2.4	10		
	30	9.9.3.4	11		39		37		34		28		35		39		24		22



R

Figure K  
320  
Total K  
350

Judges Name	
Signature	Number

Flight #  
**18**

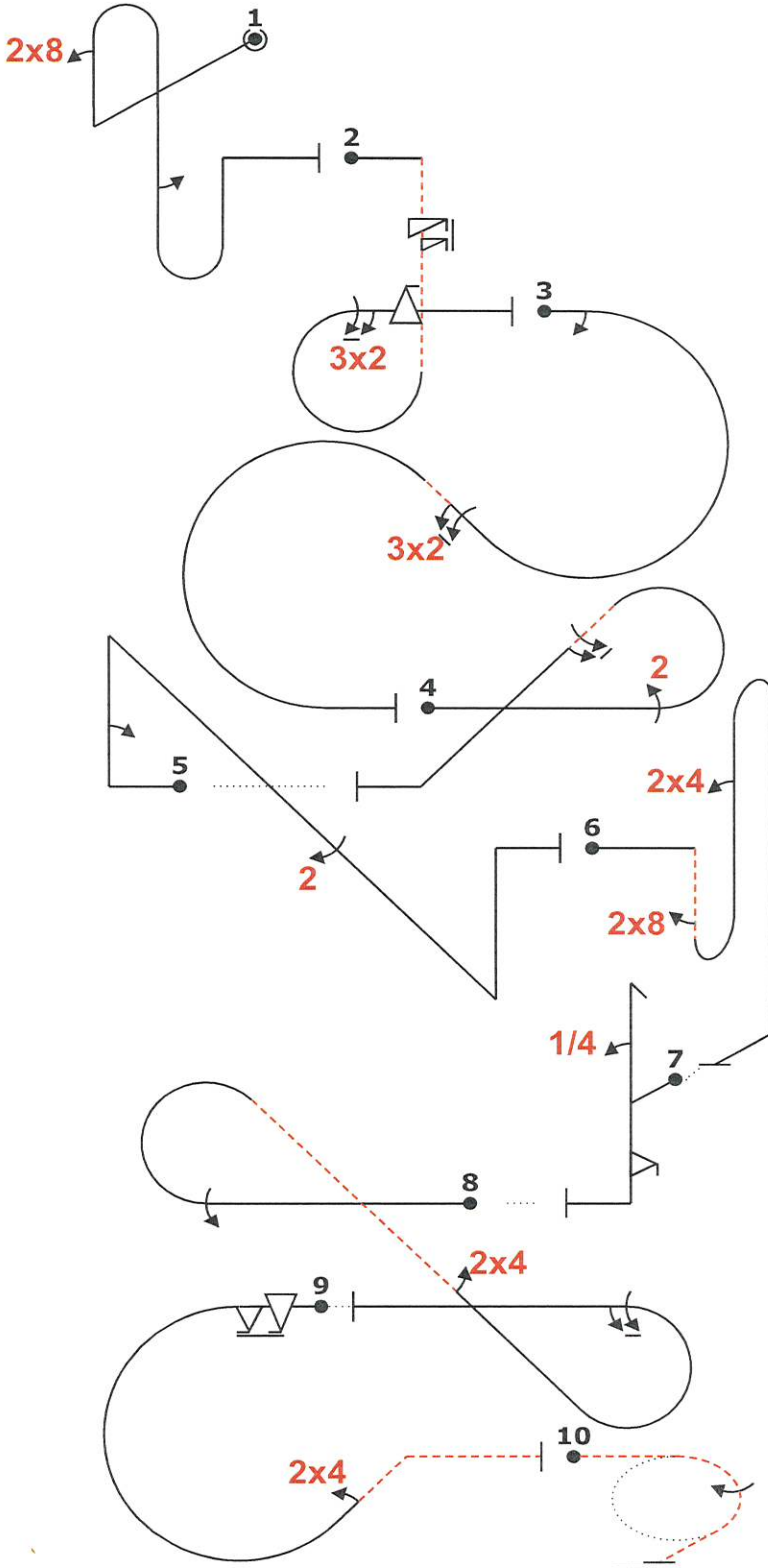


Fig	Grade	Pos	Remarks
1	.		
2	.		
3	.		
4	.		
5	.		
6	.		
7	.		
8	.		
9	.		
10	.		

Positioning  
30

Too Low		Trg Violation	
Too High		Wing Rocks	
Interruptions		Disqual Fig	
Insertions		Other(note...)	

ej "@C" ~++8bb(2) "@B" 6sirr,32,f 12% ..... ,2iac(" 32") + ..... 22c"| "6." (-7,0) "@0"  
 ,2pn(.....,22.....) ,8ibb("24)..... (1,-1) "@E" 4h2f (-2,0) 1ac(.....24.....) 6 (2,0) "@A" 11% ..... 6fic  
 -24 ..... -1j1-

Fig 1 C	K	Fig 2 B	K	Fig 3	K	Fig 4	K	Fig 5 D	K	Fig 6	K	Fig 7 E	K	Fig 8	K	Fig 9 A	K	Fig 10	K
8.8.2.1	19	8.6.4.3	13	7.5.5.3	15	8.5.6.1	10	1.3.13.1	22	8.8.8.3	19	5.2.1.1	17	7.5.7.1	15	8.5.8.3	11	2.1.3.2	15
9.8.1.1	7	9.11.1.6	3	9.1.3.2	4	9.2.3.4	9	9.1.1.2	8	9.8.5.1	3	9.1.1.1	6	9.1.3.4	8	9.9.3.6	14		
9.1.5.2	4	9.2.3.6	12	9.2.2.6	14	9.1.4.6	10	9.2.4.4	9	9.4.1.2	9	9.9.5.2	11	9.4.4.2	5	9.4.2.2	7		
		9.9.3.4	11											9.1.3.6	10				
	<b>30</b>		<b>39</b>		<b>33</b>		<b>29</b>		<b>39</b>		<b>31</b>		<b>34</b>		<b>38</b>		<b>32</b>		<b>15</b>





CIVA Advanced

Programme1



Figure K  
320  
Total K  
350

Judges Name	
Signature	Number

Flight #  
**18**

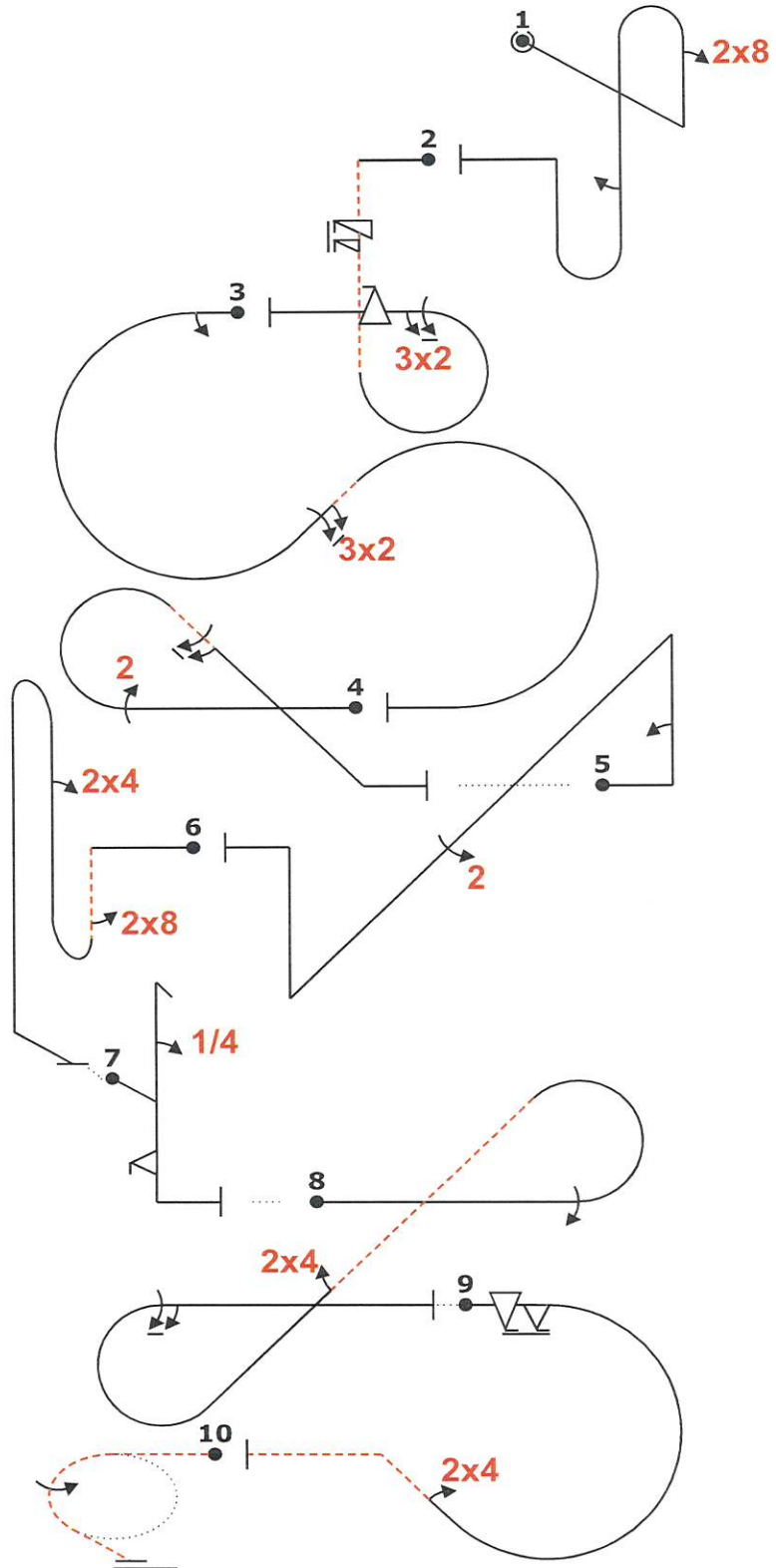


Fig	Grade	Pos	Remarks
1	.		
2	.		
3	.		
4	.		
5	.		
6	.		
7	.		
8	.		
9	.		
10	.		

Positioning  
30

Too Low		Trg Violation	
Too High		Wing Rocks	
Interruptions		Disqual Fig	
Insertions		Other(note...)	

ej "@C" +++8bb(2) "@B" 6sirp,32,f 12% ..... ,2iac("32") ..... 22c"|"6." (-7,0) "@0"  
 ,2pn(.....,22.....) ,8ibb( 24)..... (1,-1) "@E" 4h2f (-2,0) 1ac(.....24.....)6 (2,0) "@A" 11% ..... 6fic  
 "24" ..... -1j1-

Fig 1 C	K	Fig 2 B	K	Fig 3	K	Fig 4	K	Fig 5 D	K	Fig 6	K	Fig 7 E	K	Fig 8	K	Fig 9 A	K	Fig 10	K
8.8.2.1	19	8.6.4.3	13	7.5.5.3	15	8.5.6.1	10	1.3.13.1	22	8.8.8.3	19	5.2.1.1	17	7.5.7.1	15	8.5.8.3	11	2.1.3.2	15
9.8.1.1	7	9.11.1.6	3	9.1.3.2	4	9.2.3.4	9	9.1.1.2	8	9.8.5.1	3	9.1.1.1	6	9.1.3.4	8	9.9.3.6	14		
9.1.5.2	4	9.2.3.6	12	9.2.2.6	14	9.1.4.6	10	9.2.4.4	9	9.4.1.2	9	9.9.5.2	11	9.4.4.2	5	9.4.2.2	7		
		9.9.3.4	11											9.1.3.6	10				
	<b>30</b>		<b>39</b>		<b>33</b>		<b>29</b>		<b>39</b>		<b>31</b>		<b>34</b>		<b>38</b>		<b>32</b>		<b>15</b>

wind/vent ← **R**

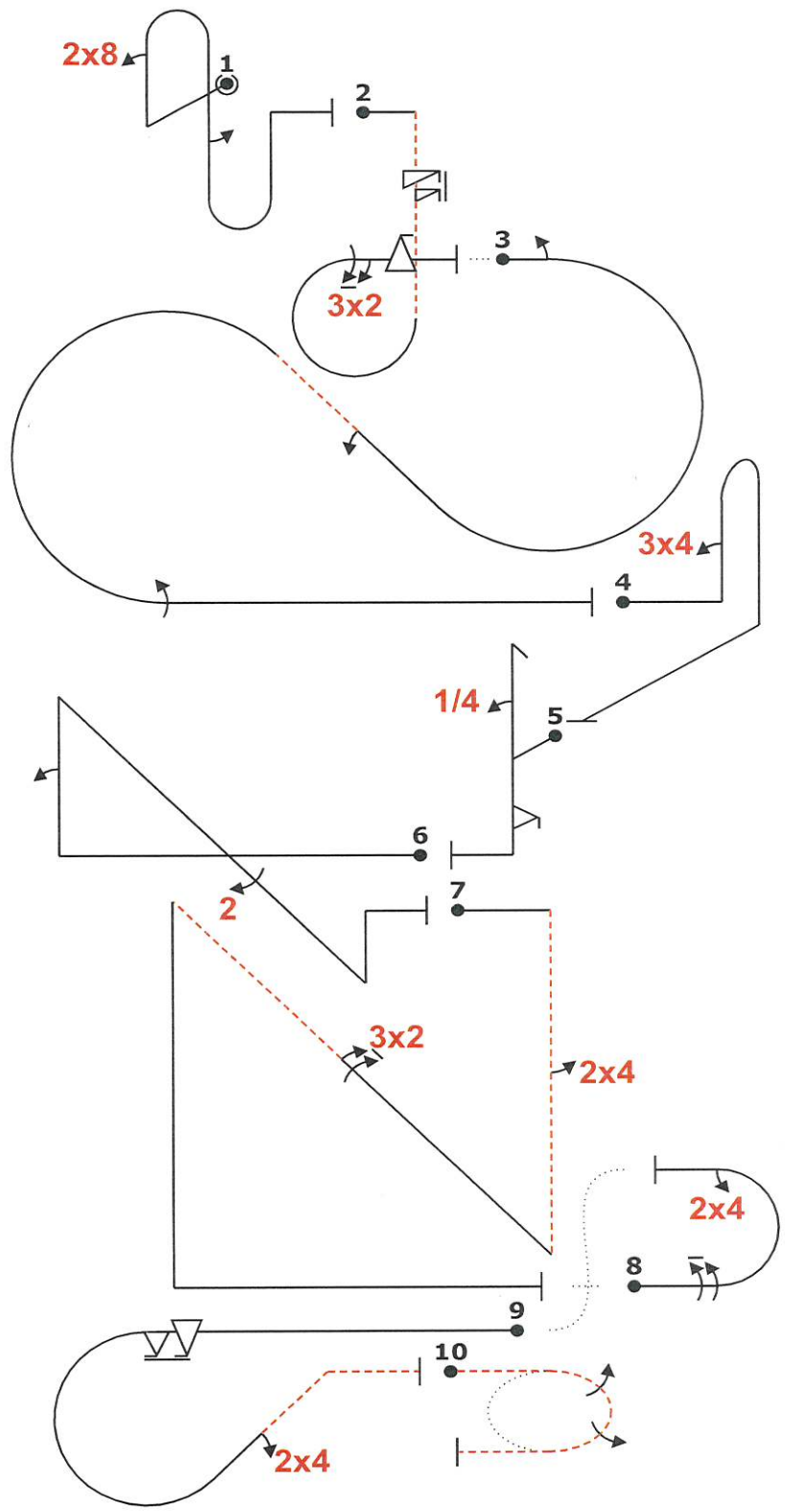


Fig	Grade	Pos	Remarks
1	.		
2	.		
3	.		
4	.		
5	.		
6	.		
7	.		
8	.		
9	.		
10	.		

Positioning  
**30** .

Too Low		Trg Violation	
Too High		Wing Rocks	
Interruptions		Disqual Fig	
Insertions		Other(note...)	

ej "@C" ~8bb("2)+ "0B" +6sirr,32,f+ (-1,0) 15% ~+ ..... 2iac(2)1+ ..... 34'b++++ "0E  
" 4h2F "@0" ~+++++ "2'pn(...,22...) ..... 4% . '24.in(...,32...) ..... +++++ (2,0) 9m24 (-5,11) "@A" 5% 6fic,24"  
... -2jo2- eu

Fig 1 C	K	Fig 2 B	K	Fig 3	K	Fig 4	K	Fig 5 E	K	Fig 6 D	K	Fig 7	K	Fig 8	K	Fig 9 A	K	Fig 10	K
8.8.2.1	19	8.6.4.3	13	7.5.5.3	15	8.4.1.1	13	5.2.1.1	17	1.3.13.1	22	1.3.16.3	21	7.2.2.1	6	8.5.8.3	11	2.2.5.4	25
9.8.1.1	7	9.11.1.6	3	9.1.3.2	4	9.4.1.3	12	9.1.1.1	6	9.1.1.2	8	9.4.5.2	5	9.1.3.8	12	9.9.3.6	14		
9.1.5.2	4	9.2.3.6	12	9.1.2.2	6			9.9.5.2	11	9.2.4.4	9	9.2.2.6	14	9.4.3.2	5	9.4.2.2	7		
	<b>30</b>	9.9.3.4	11	9.1.3.4	8						<b>39</b>								
			<b>39</b>		<b>33</b>		<b>25</b>		<b>34</b>		<b>39</b>		<b>40</b>		<b>23</b>		<b>32</b>		<b>25</b>



CIVA Advanced  
Programme 1

Figure K  
320  
Total K  
350

Judges Name	
Signature	Number

Flight #  
**19**

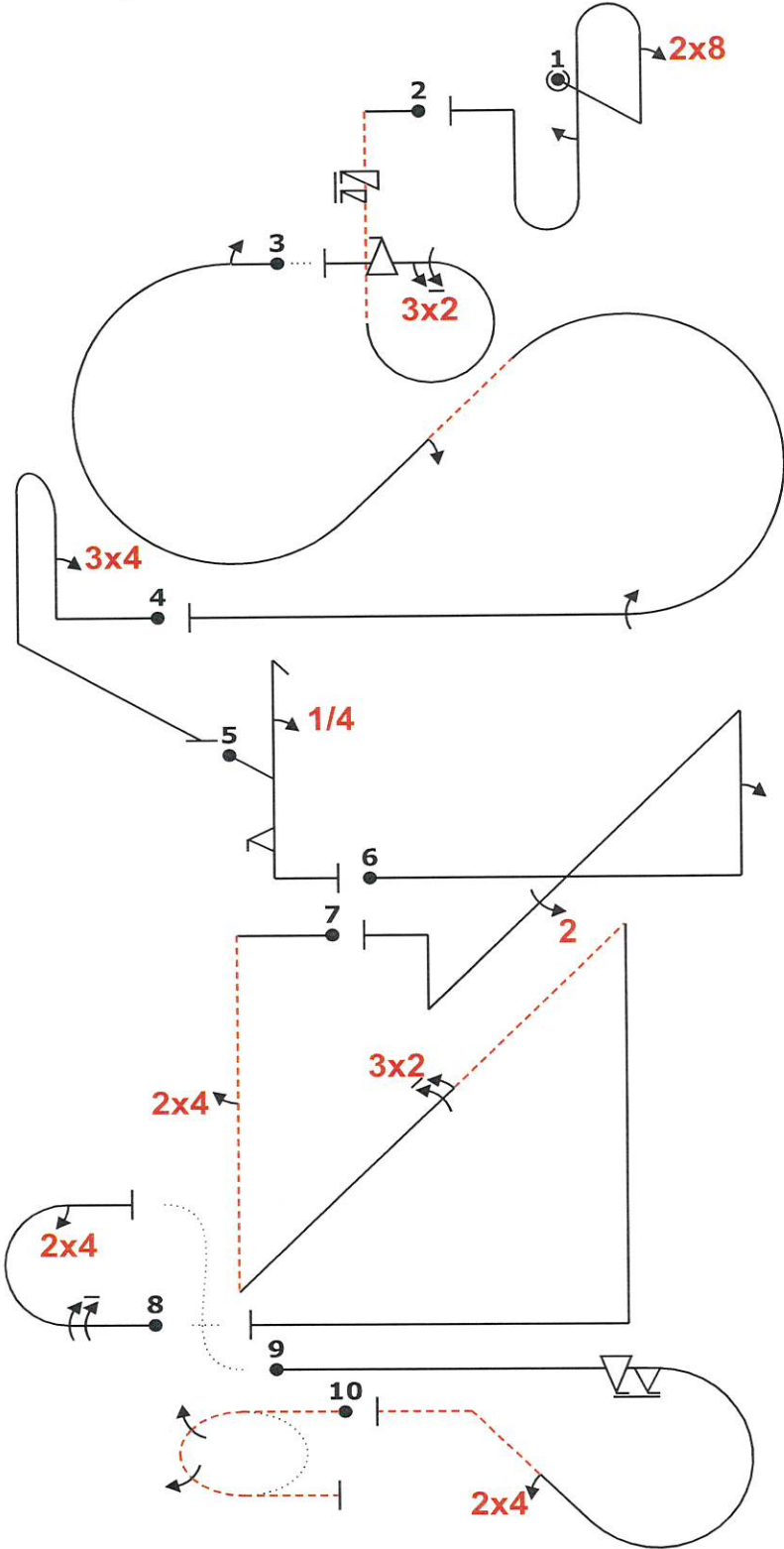


Fig	Grade	Pos	Remarks
1	.		
2	.		
3	.		
4	.		
5	.		
6	.		
7	.		
8	.		
9	.		
10	.		

Positioning  
30

Too Low		Trg Violation	
Too High		Wing Rocks	
Interruptions		Disqual Fig	
Insertions		Other(note...)	

ej "@C" ~8bb(2)+ " @B" +6sirr,32,f+ (-1,0) 15% ~+ ..... 2iac(2)1+ ..... 34'b++++~ @E  
" 4h2f "@D" ~+++++ '2'pn(...,22...) ..... 4% . '24.in('.,32...') .....++++~ (2,0) 9m24 (-5,11) "@A" 5% 6fic,24"  
"-2jo2- eu

Fig 1 C	K	Fig 2 B	K	Fig 3	K	Fig 4	K	Fig 5 E	K	Fig 6 D	K	Fig 7	K	Fig 8	K	Fig 9 A	K	Fig 10	K
8.8.2.1	19	8.6.4.3	13	7.5.5.3	15	8.4.1.1	13	5.2.1.1	17	1.3.13.1	22	1.3.16.3	21	7.2.2.1	6	8.5.8.3	11	2.2.5.4	25
9.8.1.1	7	9.11.1.6	3	9.1.3.2	4	9.4.1.3	12	9.1.1.1	6	9.1.1.2	8	9.4.5.2	5	9.1.3.8	12	9.9.3.6	14		
9.1.5.2	4	9.2.3.6	12	9.1.2.2	6			9.9.5.2	11	9.2.4.4	9	9.2.2.6	14	9.4.3.2	5	9.4.2.2	7		
		9.9.3.4	11	9.1.3.4	8														
	<b>30</b>		<b>39</b>		<b>33</b>		<b>25</b>		<b>34</b>		<b>39</b>		<b>40</b>		<b>23</b>		<b>32</b>		<b>25</b>

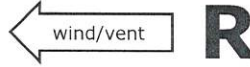


Figure K  
 320  
 Total K  
 350

Judges Name	
Signature	Number

Flight #  
**20**

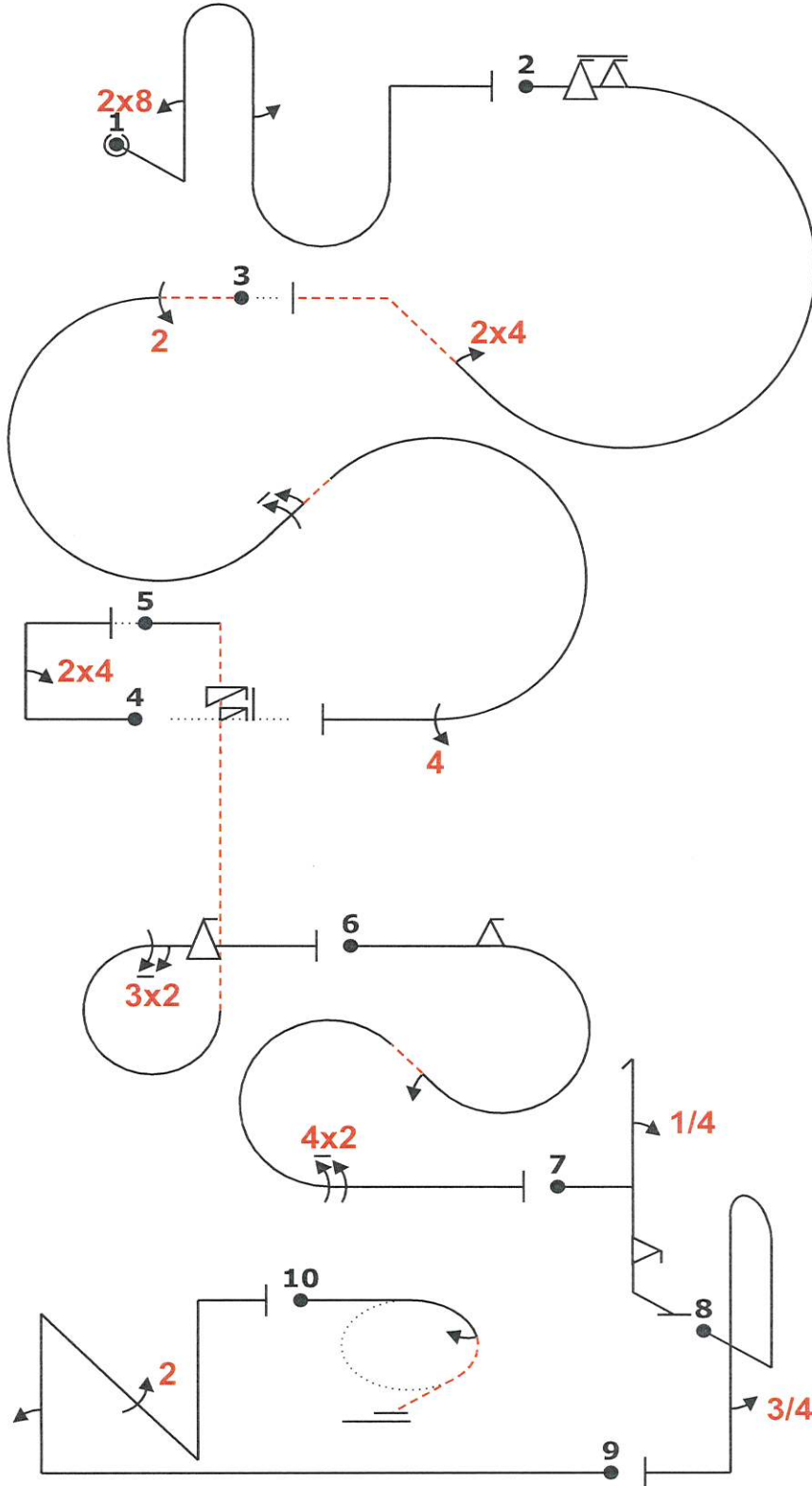


Fig	Grade	Pos	Remarks
1	.		
2	.		
3	.		
4	.		
5	.		
6	.		
7	.		
8	.		
9	.		
10	.		

Positioning  
 30

Too Low		Trg Violation	
Too High		Wing Rocks	
Interruptions		Disqual Fig	
Insertions		Other(note...)	

ej "@C" /8.bb( "2) "@A" 18% 6fic" ,24 (1,0) 12% 22iac(" 6 ")44+  
 (-7,0) ~v ,24 ~ (-2,0) "@B" 6s... 'irp,32,f 3% 2fiac(" 2')42+ "@E" ,4h2f b..3+ "  
 @D" ~+++++2pn(22') /1j5-

Fig 1 C	K	Fig 2 A	K	Fig 3	K	Fig 4	K	Fig 5 B	K	Fig 6	K	Fig 7 E	K	Fig 8	K	Fig 9 D	K	Fig 10	K
8.8.2.1	19	8.5.8.3	11	7.5.2.4	15	1.1.6.1	10	8.6.4.3	13	7.5.5.3	15	5.2.1.1	17	8.4.1.1	13	1.3.13.1	22	2.1.2.1	14
9.8.1.1	7	9.9.3.6	14	9.2.3.4	9	9.4.1.2	9	9.11.1.6	3	9.9.3.2	11	9.1.1.1	6	9.1.5.3	6	9.1.1.2	8		
9.1.5.2	4	9.4.2.2	7	9.1.2.6	12			9.2.3.6	12	9.1.2.2	6	9.9.5.2	11			9.2.4.4	9		
	30		32	9.4.3.4	11		19	9.9.3.4	11	9.2.3.8	15		34		19		39		14



Figure K  
 320  
 Total K  
 350

Judges Name	
Signature	Number

Flight #  
**20**

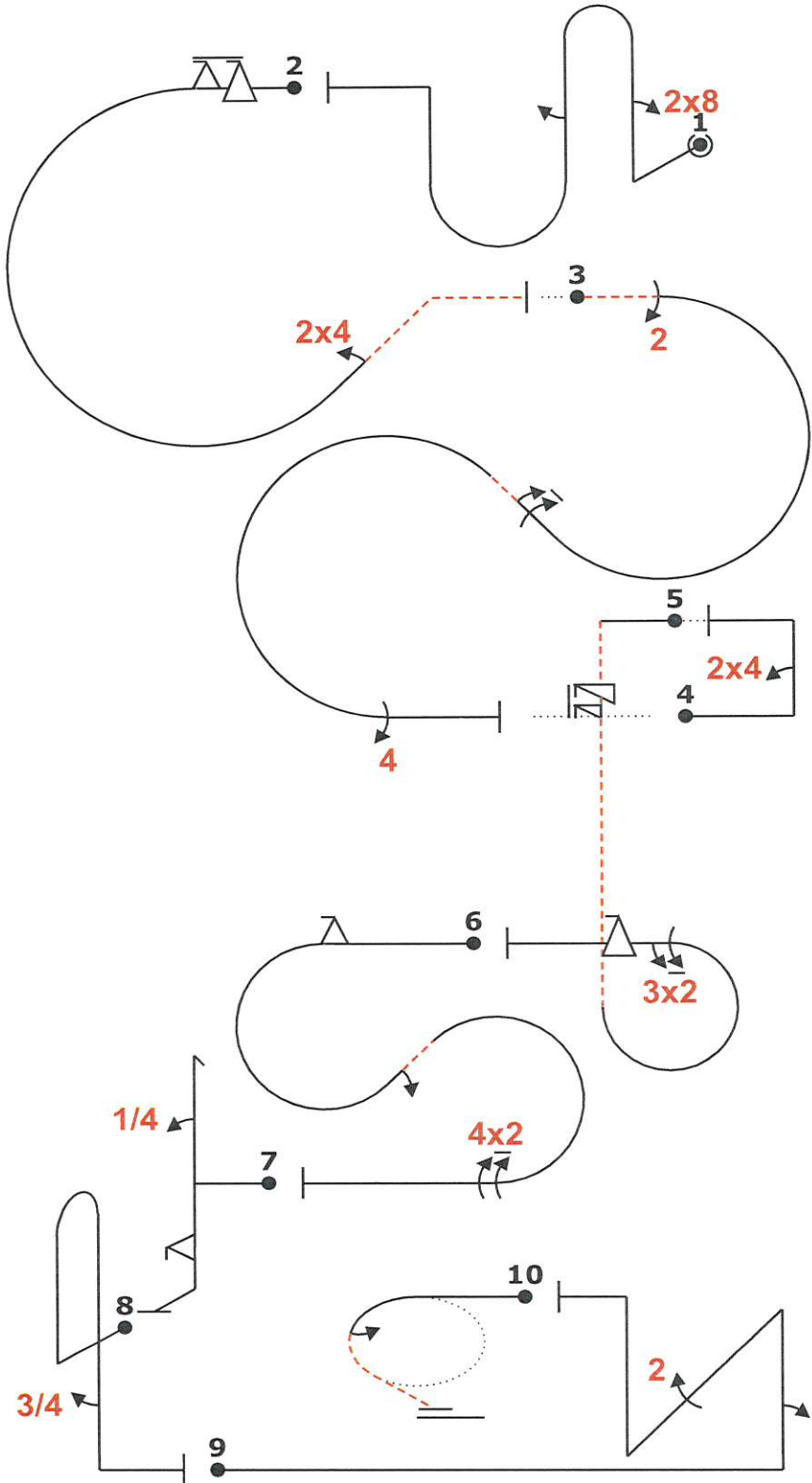


Fig	Grade	Pos	Remarks
1	.		
2	.		
3	.		
4	.		
5	.		
6	.		
7	.		
8	.		
9	.		
10	.		

Positioning  
 30 .

Too Low		Trg Violation	
Too High		Wing Rocks	
Interruptions		Disqual Fig	
Insertions		Other(note...)	

ej "@C" /8.bb(2) "A" 18% "6fic",24 (1,0) 12% "22iac('6")44+  
 (-7,0) ~v ,24 ~ (-2,0) "B" 6s...irp,32,f 3% "2fiac('2)42+ "E",4h2f b..3+ "  
 @D" ~+++++2pn(22') /1j5-

Fig 1 C	K	Fig 2 A	K	Fig 3	K	Fig 4	K	Fig 5 B	K	Fig 6	K	Fig 7 E	K	Fig 8	K	Fig 9 D	K	Fig 10	K
8.8.2.1	19	8.5.8.3	11	7.5.2.4	15	1.1.6.1	10	8.6.4.3	13	7.5.5.3	15	5.2.1.1	17	8.4.1.1	13	1.3.13.1	22	2.1.2.1	14
9.8.1.1	7	9.9.3.6	14	9.2.3.4	9	9.4.1.2	9	9.11.1.6	3	9.9.3.2	11	9.1.1.1	6	9.1.5.3	6	9.1.1.2	8		
9.1.5.2	4	9.4.2.2	7	9.1.2.6	12			9.2.3.6	12	9.1.2.2	6	9.9.5.2	11			9.2.4.4	9		
	<b>30</b>		<b>32</b>	9.4.3.4	11		<b>19</b>	9.9.3.4	11	9.2.3.8	15		<b>34</b>		<b>19</b>		<b>39</b>		<b>14</b>





CIVA Advanced

Programme1

Figure K  
320  
Total K  
350

Judges Name	
Signature	Number

Flight #  
**21**

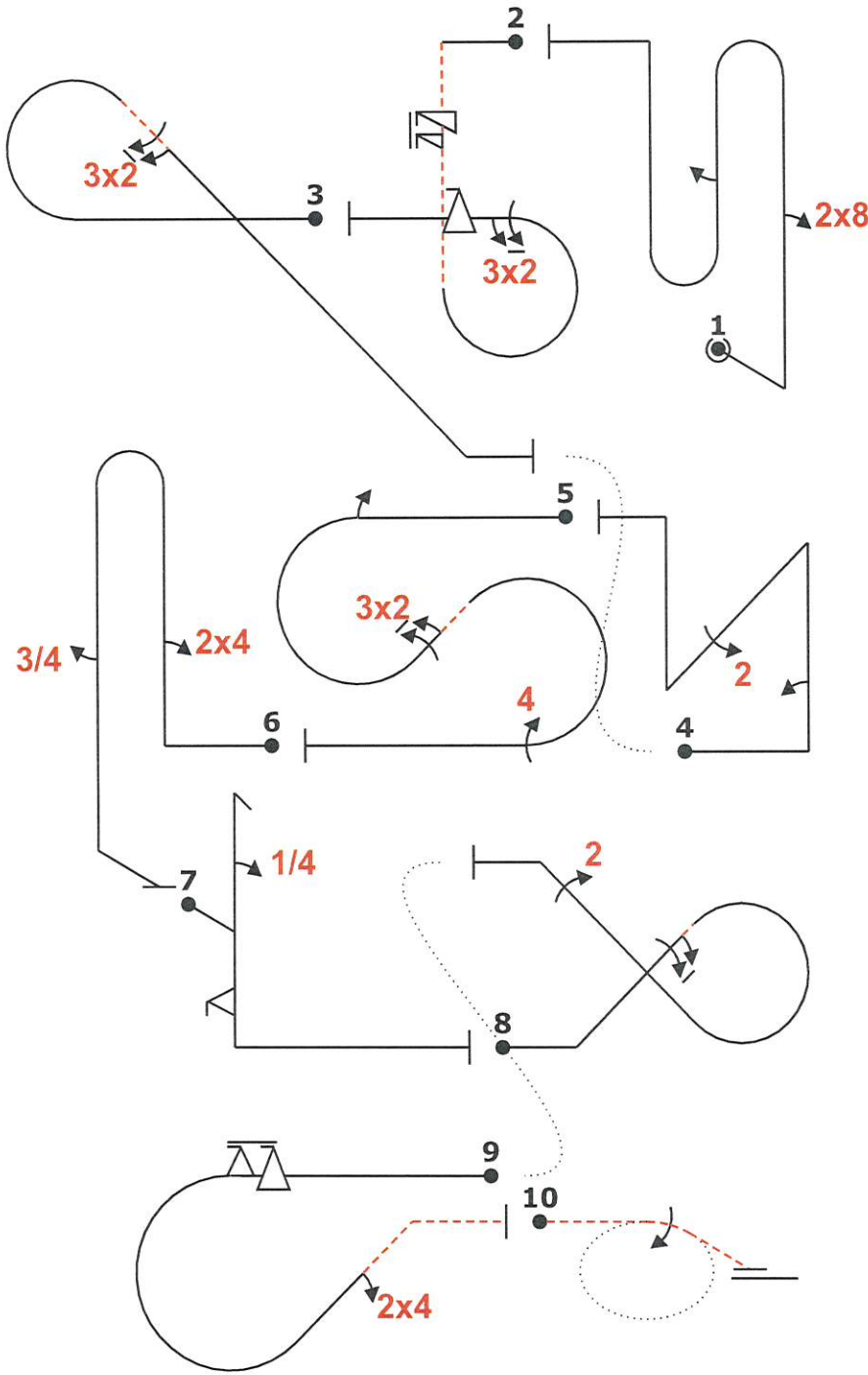
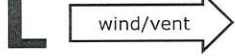


Fig	Grade	Pos	Remarks
1	.		
2	.		
3	.		
4	.		
5	.		
6	.		
7	.		
8	.		
9	.		
10	.		

Positioning  
30

Too Low		Trg Violation	
Too High		Wing Rocks	
Interruptions		Disqual Fig	
Insertions		Other(note...)	

ej "@C" .118..bb(2).. "@B" 6sirr,32,f c32..... (-5,17) "@D" +,2''pn(,22) 2% .....2iac(,32')44+..... 24...'b.'3...' "@E" 4h2f+++ 6' g.22 (-5,18) "@A" 4% .....6fic'24' ..... -1j1-

Fig 1 C	K	Fig 2 B	K	Fig 3	K	Fig 4 D	K	Fig 5	K	Fig 6	K	Fig 7 E	K	Fig 8	K	Fig 9 A	K	Fig 10	K
8.8.2.1	19	8.6.4.3	13	8.5.6.1	10	1.3.13.1	22	7.5.5.3	15	8.4.1.1	13	5.2.1.1	17	7.3.2.1	14	8.5.8.3	11	2.1.3.2	15
9.8.1.1	7	9.11.1.6	3	9.2.4.6	12	9.1.1.2	8	9.1.3.2	4	9.4.1.2	9	9.1.1.1	6	9.1.2.6	12	9.9.3.6	14		
9.1.5.2	4	9.2.3.6	12			9.2.4.4	9	9.2.2.6	14	9.1.5.3	6	9.9.5.2	11	9.2.2.4	11	9.4.2.2	7		
	<b>30</b>	9.9.3.4	11		<b>22</b>		<b>39</b>	9.4.3.4	11		<b>28</b>		<b>34</b>		<b>37</b>		<b>32</b>		<b>15</b>



Figure K  
320  
Total K  
350

Judges Name	
Signature	Number

Flight #  
**22**

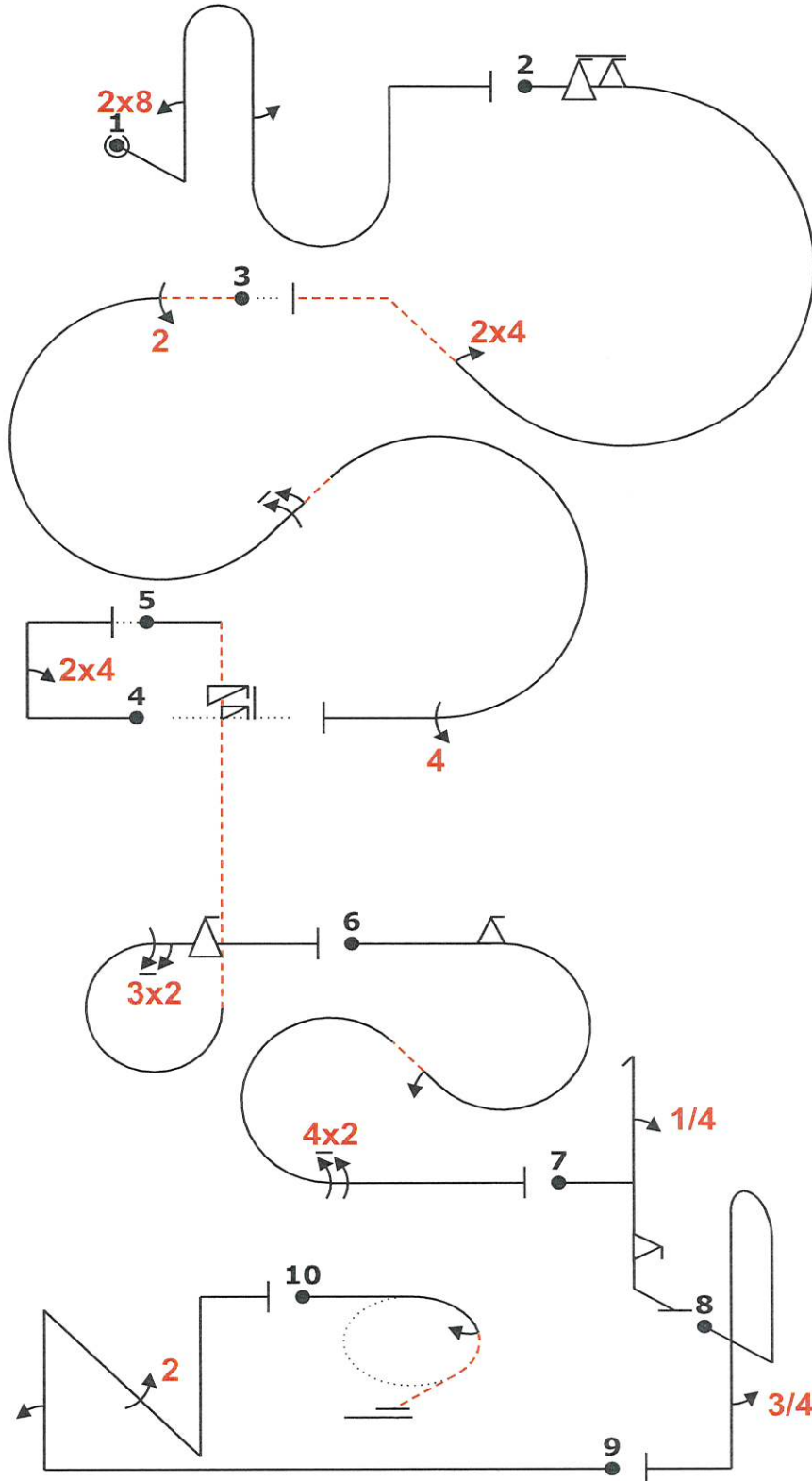


Fig	Grade	Pos	Remarks
1	.		
2	.		
3	.		
4	.		
5	.		
6	.		
7	.		
8	.		
9	.		
10	.		

Positioning  
30

Too Low		Trg Violation	
Too High		Wing Rocks	
Interruptions		Disqual Fig	
Insertions		Other(note...)	

ej "@C" /8.bb(.....)2) "@A" 18% ..... 6fic" ,24' ..... (1,0) 12% ..... 22iac( " 6' )44+  
 (-7,0) ~v ,24 ~ (-2,0) "@B" 6s... irp,32,f 3% ..... 2fiac( "2' )42+ ..... "@E" ,4h2f b..3+ "  
 @D" ~+++++2pn(22') /1j5-

Fig 1 C	K	Fig 2 A	K	Fig 3	K	Fig 4	K	Fig 5 B	K	Fig 6	K	Fig 7 E	K	Fig 8	K	Fig 9 D	K	Fig 10	K
8.8.2.1	19	8.5.8.3	11	7.5.2.4	15	1.1.6.1	10	8.6.4.3	13	7.5.5.3	15	5.2.1.1	17	8.4.1.1	13	1.3.13.1	22	2.1.2.1	14
9.8.1.1	7	9.9.3.6	14	9.2.3.4	9	9.4.1.2	9	9.11.1.6	3	9.9.3.2	11	9.1.1.1	6	9.1.5.3	6	9.1.1.2	8		
9.1.5.2	4	9.4.2.2	7	9.1.2.6	12			9.2.3.6	12	9.1.2.2	6	9.9.5.2	11			9.2.4.4	9		
	30		32	9.4.3.4	11		19	9.9.3.4	11	9.2.3.8	15		34		19		39		14





Figure K  
 320  
 Total K  
 350

Judges Name  
 Signature Number

Flight #  
**22**

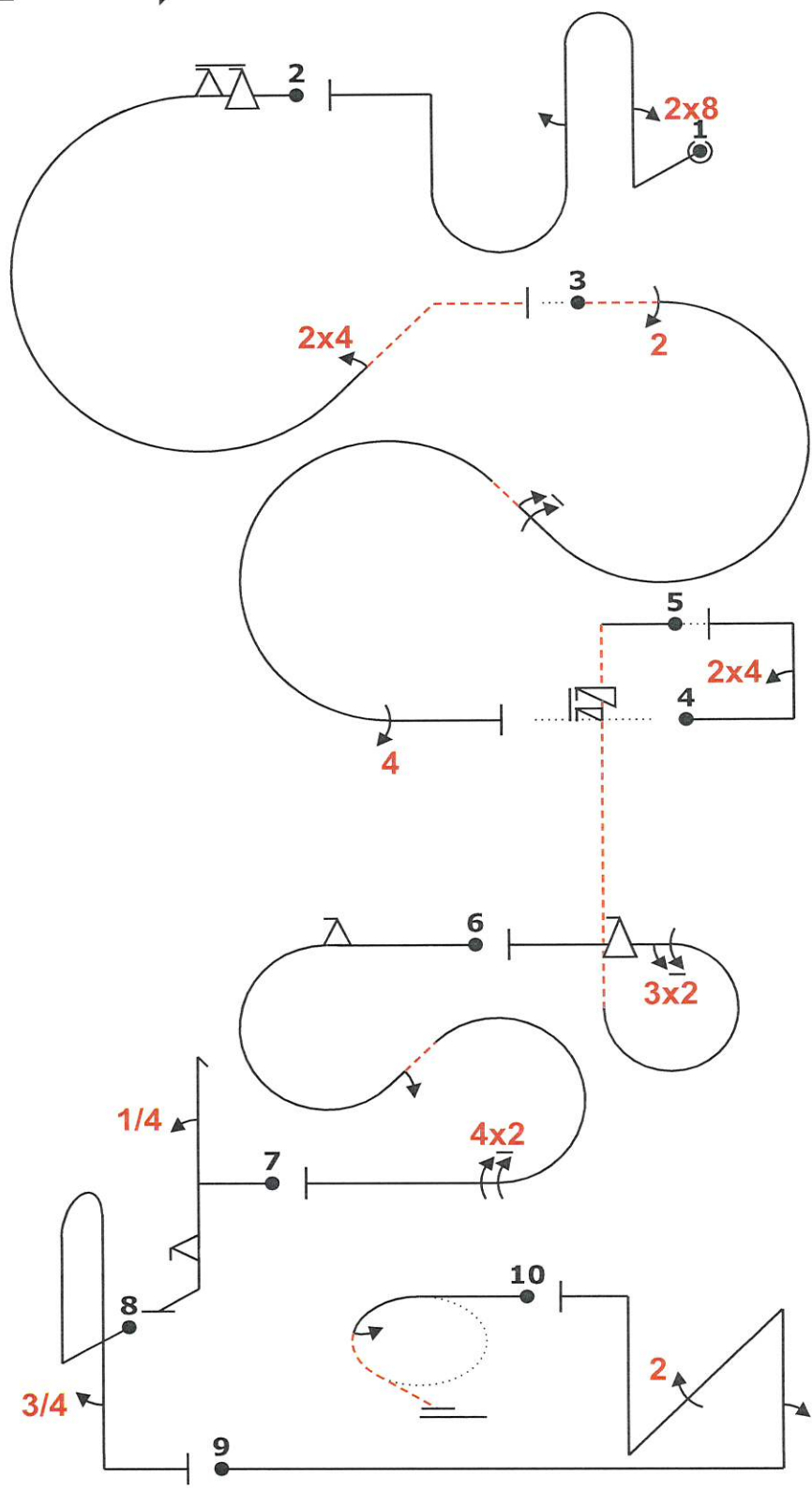


Fig	Grade	Pos	Remarks
1	.		
2	.		
3	.		
4	.		
5	.		
6	.		
7	.		
8	.		
9	.		
10	.		

Positioning  
 30 .

Too Low		Trg Violation	
Too High		Wing Rocks	
Interruptions		Disqual Fig	
Insertions		Other(note...)	

ej "@C" /8..bb(.....2) "@A" 18% .....6fic'...',24'..... (1,0) 12% .....22iac('6'')44+.....  
 ..... (-7,0) ~v',24' ~ (-2,0) "@B" 6s....'irp,32,f 3% .....2fiac('2')42+ ..... "@E",4h2f b..3+ "  
 @D" ~+++++2pn(22') /1j5-

Fig 1 C	K	Fig 2 A	K	Fig 3	K	Fig 4	K	Fig 5 B	K	Fig 6	K	Fig 7 E	K	Fig 8	K	Fig 9 D	K	Fig 10	K
8.8.2.1	19	8.5.8.3	11	7.5.2.4	15	1.1.6.1	10	8.6.4.3	13	7.5.5.3	15	5.2.1.1	17	8.4.1.1	13	1.3.13.1	22	2.1.2.1	14
9.8.1.1	7	9.9.3.6	14	9.2.3.4	9	9.4.1.2	9	9.11.1.6	3	9.9.3.2	11	9.1.1.1	6	9.1.5.3	6	9.1.1.2	8		
9.1.5.2	4	9.4.2.2	7	9.1.2.6	12			9.2.3.6	12	9.1.2.2	6	9.9.5.2	11			9.2.4.4	9		
	<b>30</b>		<b>32</b>		<b>47</b>		<b>19</b>		<b>39</b>		<b>47</b>		<b>34</b>		<b>19</b>		<b>39</b>		<b>14</b>

wind/vent ← **R**

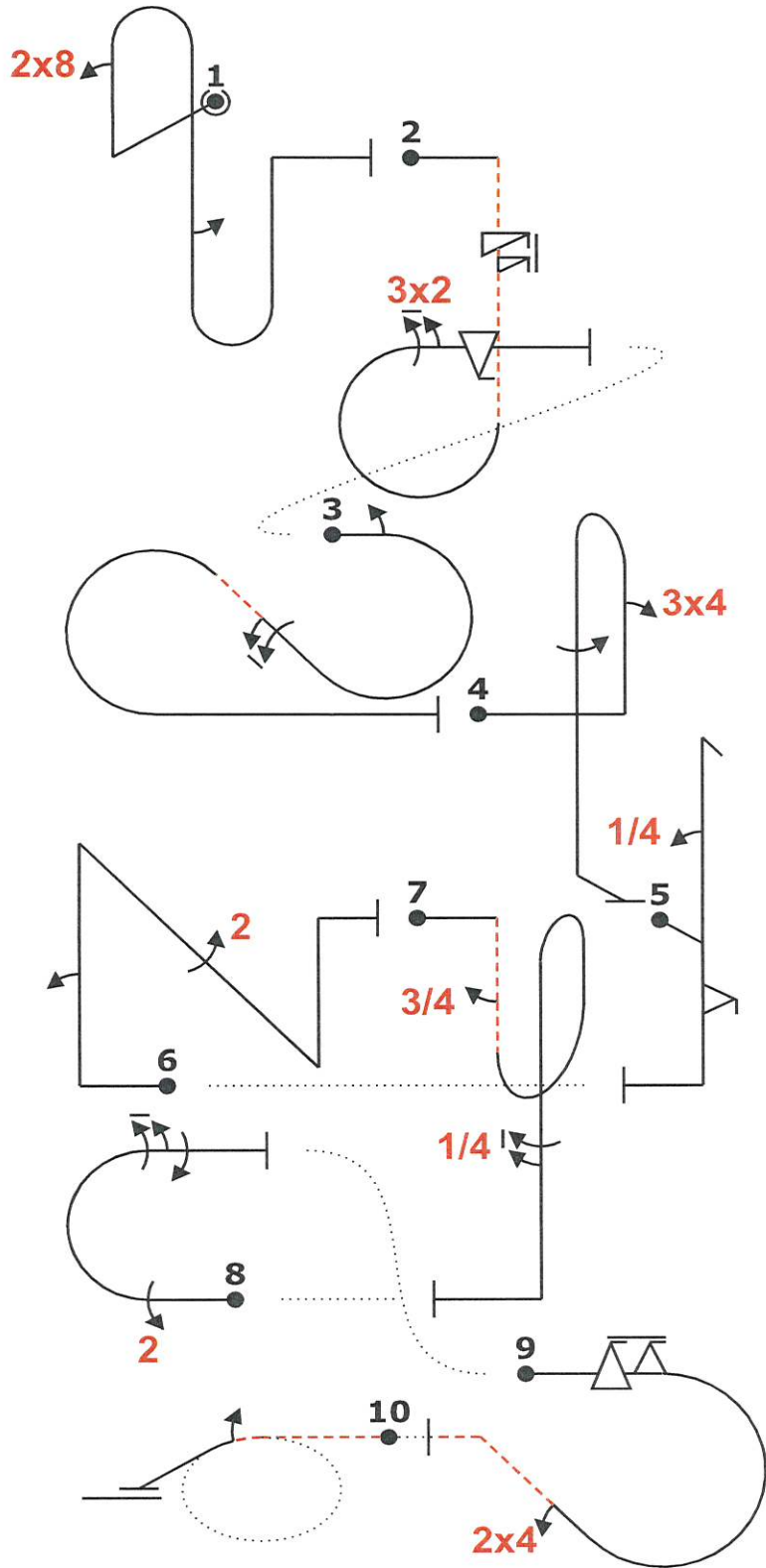


Fig	Grade	Pos	Remarks
1	.		
2	.		
3	.		
4	.		
5	.		
6	.		
7	.		
8	.		
9	.		
10	.		

Positioning  
30 .

Too Low		Trg Violation	
Too High		Wing Rocks	
Interruptions		Disqual Fig	
Insertions		Other(note...)	

ej "@C" ~8bb(2)''+ "@8" 6sirr32,f+ (-17,10) 1% ..... 2iac(6)+... /~,34b1..''+' "@E" '+'4'h'2F'' (-19,0) "@0" '2'pn('22.')' '+ -1% /'+,3'18b(.....)....,5. (-6,0) 22m6,1 (9,12) "@A" 3% ..... 6fic 24'..... (2,0) -1j05

Fig 1 C	K	Fig 2 B	K	Fig 3	K	Fig 4	K	Fig 5 E	K	Fig 6 D	K	Fig 7	K	Fig 8	K	Fig 9 A	K	Fig 10	K
8.8.2.1	19	8.6.4.3	13	7.5.5.3	15	8.4.1.1	13	5.2.1.1	17	1.3.13.1	22	8.8.8.3	19	7.2.2.1	6	8.5.8.3	11	2.1.2.4	15
9.8.1.1	7	9.11.1.6	3	9.1.3.2	4	9.4.1.3	12	9.1.1.1	6	9.1.1.2	8	9.1.5.3	6	9.2.3.4	9	9.9.3.6	14		
9.1.5.2	4	9.2.3.6	12	9.1.2.6	12	9.1.5.4	8	9.9.5.2	11	9.2.4.4	9	9.1.5.5	9	9.1.3.6	10	9.4.2.2	7		
	<b>30</b>	9.9.3.4	11				<b>33</b>		<b>34</b>		<b>39</b>		<b>34</b>	8		<b>33</b>	<b>32</b>		<b>15</b>



CIVA Advanced 2022  
Free Known EAAC

Figure K  
320  
Total K  
350

Judges Name  
Signature Number

Flight #  
**23**

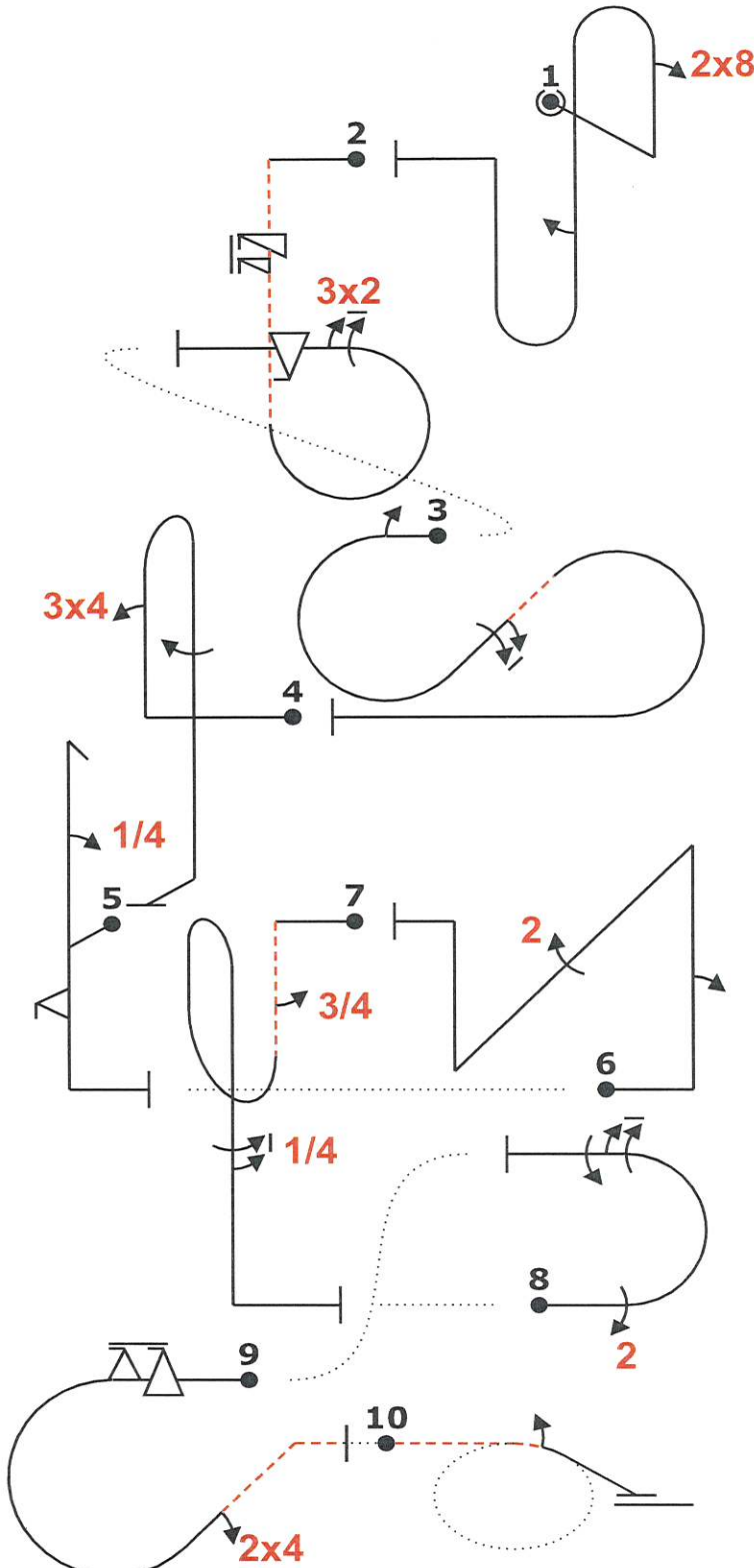


Fig	Grade	Pos	Remarks
1	.		
2	.		
3	.		
4	.		
5	.		
6	.		
7	.		
8	.		
9	.		
10	.		

Positioning  
30

Too Low		Trg Violation	
Too High		Wing Rocks	
Interruptions		Disqual Fig	
Insertions		Other(note...)	

ej "@C" ~8bb(2)'+ "@B" 6sirr32,f+ (-17,10) 1% ..... 2iac(6)+ /~,34b1... "' "@E" "+''4'h'2f''  
(-19,0) "@D" ''2'pn('22.')' + -1% / '+,3''ibb( ..... ),,5.' (-6,0) 22m6,1 (9,12) "@A" 3% ..... 6fic  
24' ..... (2,0) -1jo5

Fig 1 C	K	Fig 2 B	K	Fig 3	K	Fig 4	K	Fig 5 E	K	Fig 6 D	K	Fig 7	K	Fig 8	K	Fig 9 A	K	Fig 10	K
8.8.2.1	19	8.6.4.3	13	7.5.5.3	15	8.4.1.1	13	5.2.1.1	17	1.3.13.1	22	8.8.8.3	19	7.2.2.1	6	8.5.8.3	11	2.1.2.4	15
9.8.1.1	7	9.11.1.6	3	9.1.3.2	4	9.4.1.3	12	9.1.1.1	6	9.1.1.2	8	9.1.5.3	6	9.2.3.4	9	9.9.3.6	14		
9.1.5.2	4	9.2.3.6	12	9.1.2.6	12	9.1.5.4	8	9.9.5.2	11	9.2.4.4	9	9.1.5.5	9	9.1.3.6	10	9.4.2.2	7		
		9.9.3.4	11											9.1.3.4	8				
	<b>30</b>		<b>39</b>		<b>31</b>		<b>33</b>		<b>34</b>		<b>39</b>		<b>34</b>		<b>33</b>		<b>32</b>		<b>15</b>

← wind/vent **R**

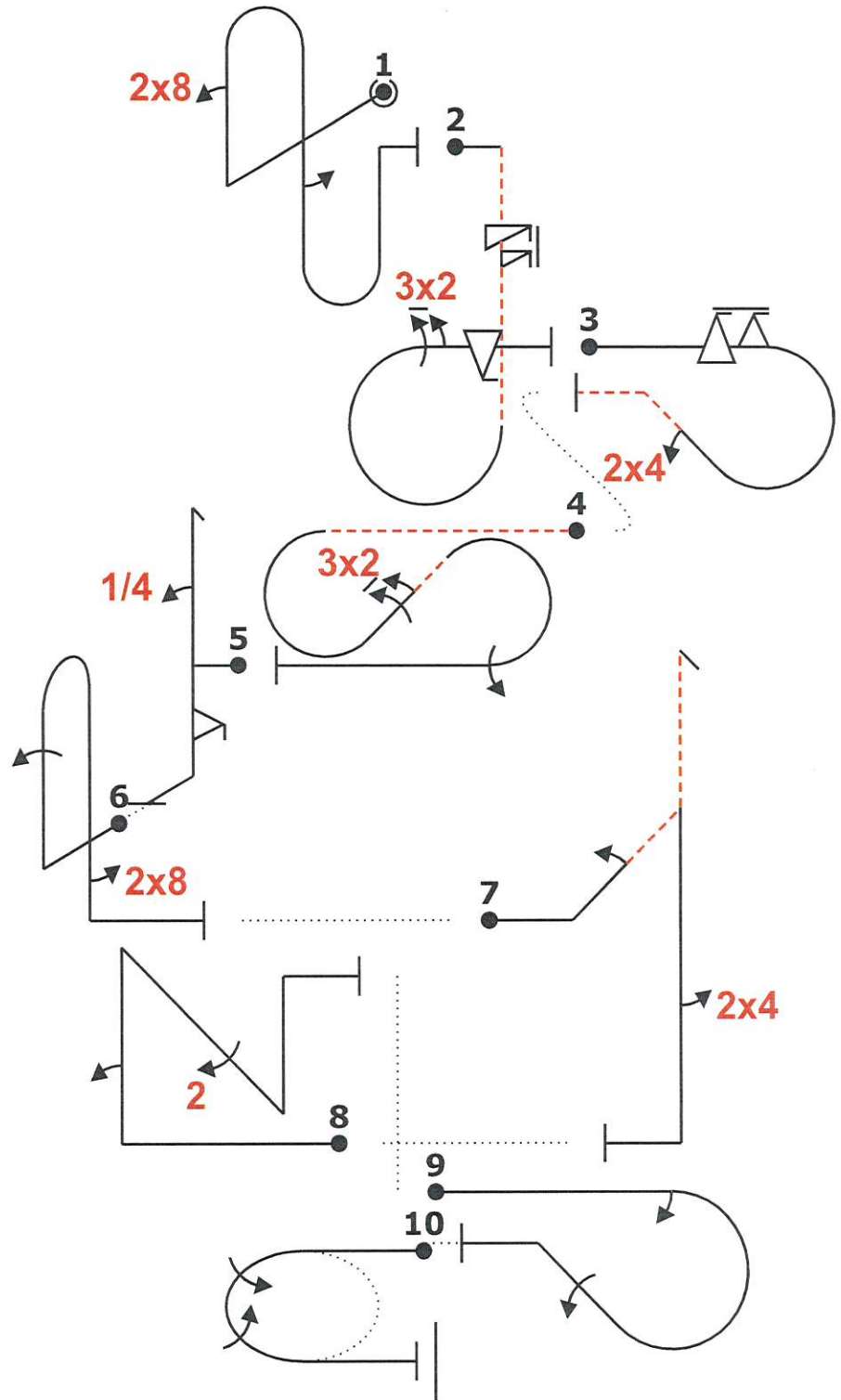


Fig	Grade	Pos	Remarks
1	.		
2	.		
3	.		
4	.		
5	.		
6	.		
7	.		
8	.		
9	.		
10	.		

Positioning **30**

Too Low		Trg Violation	
Too High		Wing Rocks	
Interruptions		Disqual Fig	
Insertions		Other(note...)	

ej "@C" ~++8'bb('2)+... "@8" +6sirp32,f+... "@A" -1%... 6fic24... (4,7) -2% -iac(32)1+... "@E" ~++  
4h 2f (2,-1) 1b.'8" (11,0) 2dh..24.' (-10,0) "@D" ~++2pn(,22) [0,11] ,2ic1 (2,0) 2j2

Fig 1 C	K	Fig 2 B	K	Fig 3 A	K	Fig 4	K	Fig 5 E	K	Fig 6	K	Fig 7	K	Fig 8 D	K	Fig 9	K	Fig 10	K
8.8.2.1	19	8.6.4.3	13	8.5.8.3	11	7.5.2.4	15	5.2.1.1	17	8.4.1.1	13	5.3.2.1	24	1.3.13.1	22	8.5.7.3	10	2.2.5.1	22
9.8.1.1	7	9.11.1.6	3	9.9.3.6	14	9.2.2.6	14	9.1.1.1	6	9.1.1.4	12	9.1.2.2	6	9.1.1.2	8	9.1.3.2	4		
9.1.5.2	4	9.2.3.6	12	9.4.2.2	7	9.1.3.4	8	9.9.5.2	11	9.8.5.1	3	9.4.5.2	5	9.2.4.4	9	9.1.2.4	10		
	<b>30</b>	9.9.3.4	11		<b>32</b>		<b>37</b>		<b>34</b>		<b>28</b>		<b>35</b>		<b>39</b>		<b>24</b>		<b>22</b>



Figure K  
320  
Total K  
350

Judges Name  
Signature Number

Flight #  
**24**

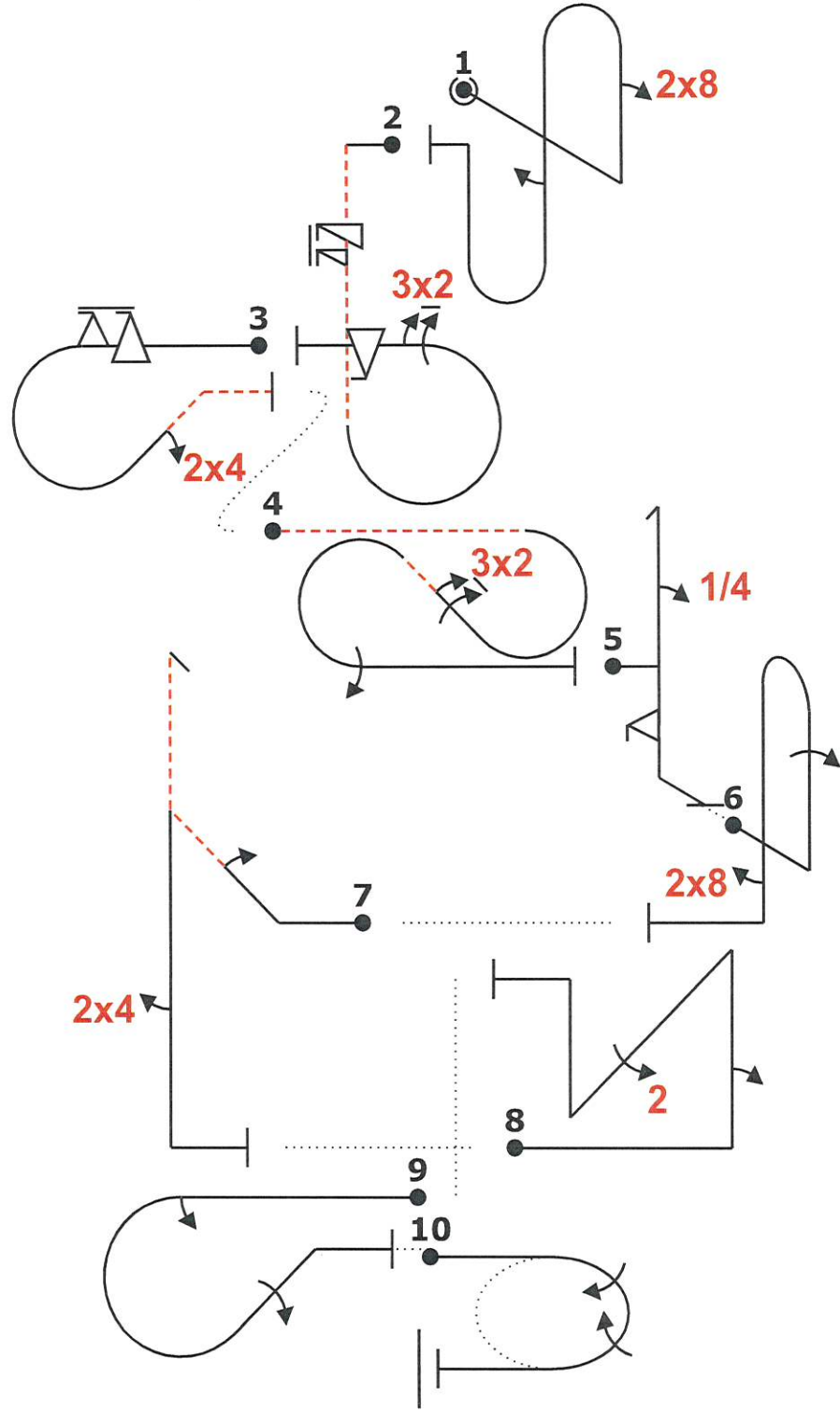


Fig	Grade	Pos	Remarks
1	.		
2	.		
3	.		
4	.		
5	.		
6	.		
7	.		
8	.		
9	.		
10	.		

Positioning  
30 .

Too Low		Trg Violation	
Too High		Wing Rocks	
Interruptions		Disqual Fig	
Insertions		Other(note...)	

ej "@C" ++8'bb('2)+'''' "@B" ''+6sirr32,f+'''' "@A" -1% ''''''''''6fic24'''''''' - (4,7) -2% -iac(32)1+'''' "@E" '''+  
4h'2f (2,-1) 1b.'8'' (11,0) 2dh..24.''' (-10,0) "@D" ''++2pn(,22)'''' [0,11] ''',2ic1'''''''' (2,0) 2j2

Fig 1 C	K	Fig 2 B	K	Fig 3 A	K	Fig 4	K	Fig 5 E	K	Fig 6	K	Fig 7	K	Fig 8 D	K	Fig 9	K	Fig 10	K
8.8.2.1	19	8.6.4.3	13	8.5.8.3	11	7.5.2.4	15	5.2.1.1	17	8.4.1.1	13	5.3.2.1	24	1.3.13.1	22	8.5.7.3	10	2.2.5.1	22
9.8.1.1	7	9.11.1.6	3	9.9.3.6	14	9.2.2.6	14	9.1.1.1	6	9.1.1.4	12	9.1.2.2	6	9.1.1.2	8	9.1.3.2	4		
9.1.5.2	4	9.2.3.6	12	9.4.2.2	7	9.1.3.4	8	9.9.5.2	11	9.8.5.1	3	9.4.5.2	5	9.2.4.4	9	9.1.2.4	10		
	<b>30</b>		<b>39</b>		<b>32</b>		<b>37</b>		<b>34</b>		<b>28</b>		<b>35</b>		<b>39</b>		<b>24</b>		<b>22</b>

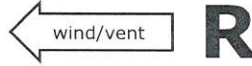


Figure K  
320  
Total K  
350

Judges Name	
Signature	Number

Flight #  
**25**

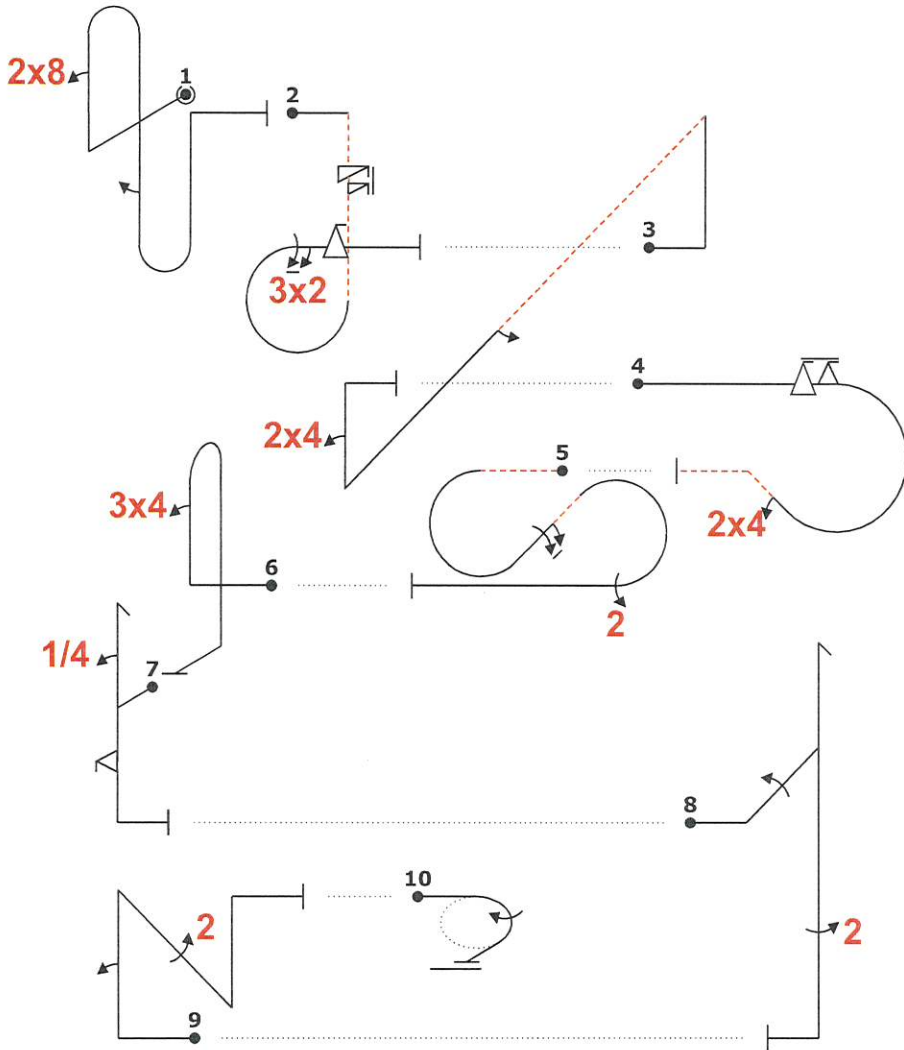


Fig	Grade	Pos	Remarks
1	.		
2	.		
3	.		
4	.		
5	.		
6	.		
7	.		
8	.		
9	.		
10	.		

Positioning  
**30**

Too Low		Trg Violation	
Too High		Wing Rocks	
Interruptions		Disqual Fig	
Insertions		Other(note...)	

ej (5,3) "@C" ++'8''bb('',2)..' "@8" 6sirr,32,f (14,0) n(.....2.....)' 24 (15,0) 4% "@A" ..... 6fic" 24..... (-5,0) ..... iac(,6)22 (-7,0) 34b'..... "@E" 4h,2f' : (37,0) 1dh....'22... (-41,0) 4% "@0" 2''pn(''22) ..... (5,0) -3% 1j1

Fig 1 C	K	Fig 2 B	K	Fig 3	K	Fig 4 A	K	Fig 5	K	Fig 6	K	Fig 7 E	K	Fig 8	K	Fig 9 D	K	Fig 10	K
8.8.2.1	19	8.6.4.3	13	1.3.12.1	21	8.5.8.3	11	7.5.2.4	15	8.4.1.1	13	5.2.1.1	17	5.3.1.1	18	1.3.13.1	22	2.1.3.1	14
9.8.1.1	7	9.11.1.6	3	9.1.4.2	4	9.9.3.6	14	9.1.2.6	12	9.4.1.3	12	9.1.1.1	6	9.1.2.4	10	9.1.1.2	8		
9.1.5.2	4	9.2.3.6	12	9.4.1.2	9	9.4.2.2	7	9.2.3.4	9			9.9.5.2	11	9.2.5.4	9	9.2.4.4	9		
	<b>30</b>	9.9.3.4	11		<b>34</b>		<b>32</b>		<b>36</b>		<b>25</b>		<b>34</b>		<b>37</b>		<b>39</b>		<b>14</b>



Figure K  
 320  
 Total K  
 350

Judges Name	
Signature	Number

Flight #  
**25**

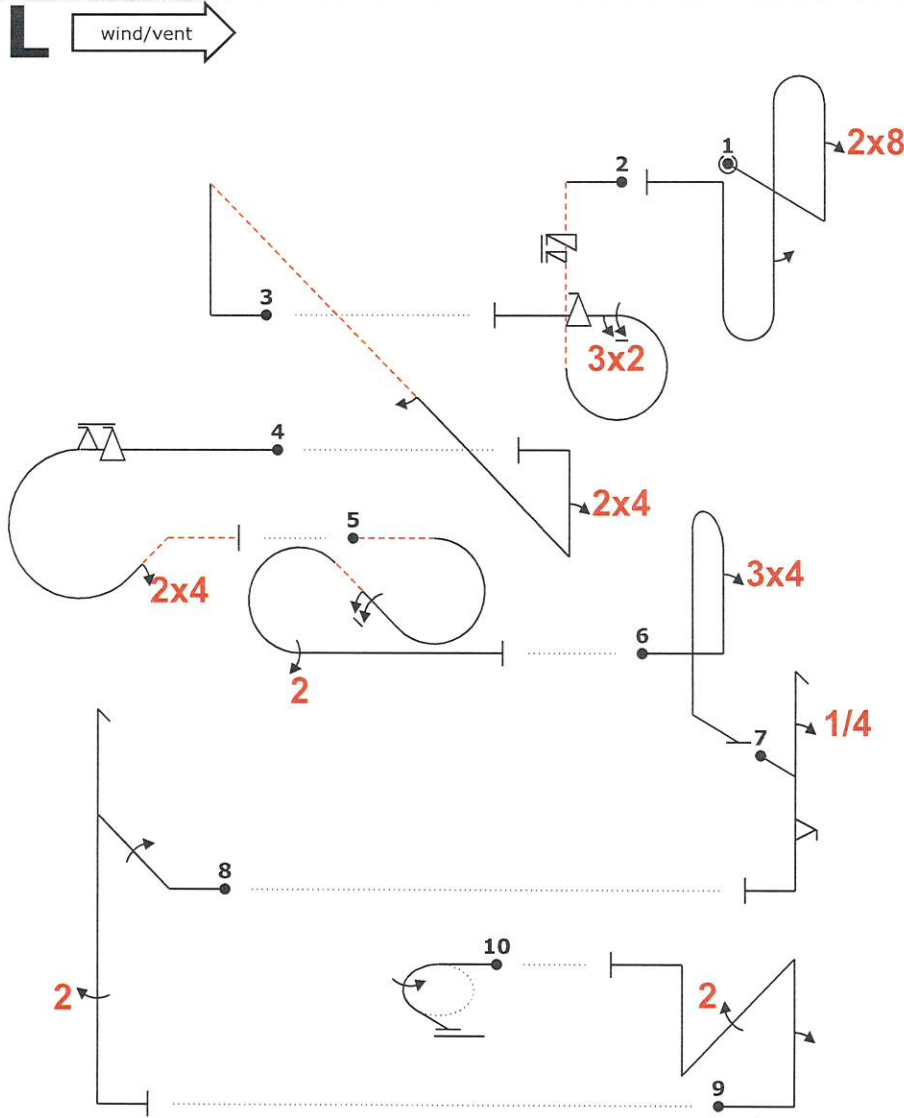


Fig	Grade	Pos	Remarks
1	.		
2	.		
3	.		
4	.		
5	.		
6	.		
7	.		
8	.		
9	.		
10	.		

Positioning  
 30 .

Too Low		Trg Violation	
Too High		Wing Rocks	
Interruptions		Disqual Fig	
Insertions		Other(note...)	

ej (5,3) "@C" ++'8'bb('',2). '@B" 6sirp,32,f (14,0) n(.....2.....)' 24 (15,0) 4% "@A" .....6fic' 24.....  
 (-5,0) .....iac(,6)22 (-7,0) 34b..... '@E" 4h,2f' (37,0) 1dh...22.. (-41,0) 4% "@D" 2'pn('22).....  
 (5,0) -3% 1j1

Fig 1 C	K	Fig 2 B	K	Fig 3	K	Fig 4 A	K	Fig 5	K	Fig 6	K	Fig 7 E	K	Fig 8	K	Fig 9 D	K	Fig 10	K
8.8.2.1	19	8.6.4.3	13	1.3.12.1	21	8.5.8.3	11	7.5.2.4	15	8.4.1.1	13	5.2.1.1	17	5.3.1.1	18	1.3.13.1	22	2.1.3.1	14
9.8.1.1	7	9.11.1.6	3	9.1.4.2	4	9.9.3.6	14	9.1.2.6	12	9.4.1.3	12	9.1.1.1	6	9.1.2.4	10	9.1.1.2	8		
9.1.5.2	4	9.2.3.6	12	9.4.1.2	9	9.4.2.2	7	9.2.3.4	9			9.9.5.2	11	9.2.5.4	9	9.2.4.4	9		
	<b>30</b>		<b>39</b>		<b>34</b>		<b>32</b>		<b>36</b>		<b>25</b>		<b>34</b>		<b>37</b>		<b>39</b>		<b>14</b>

wind/vent ← **R**

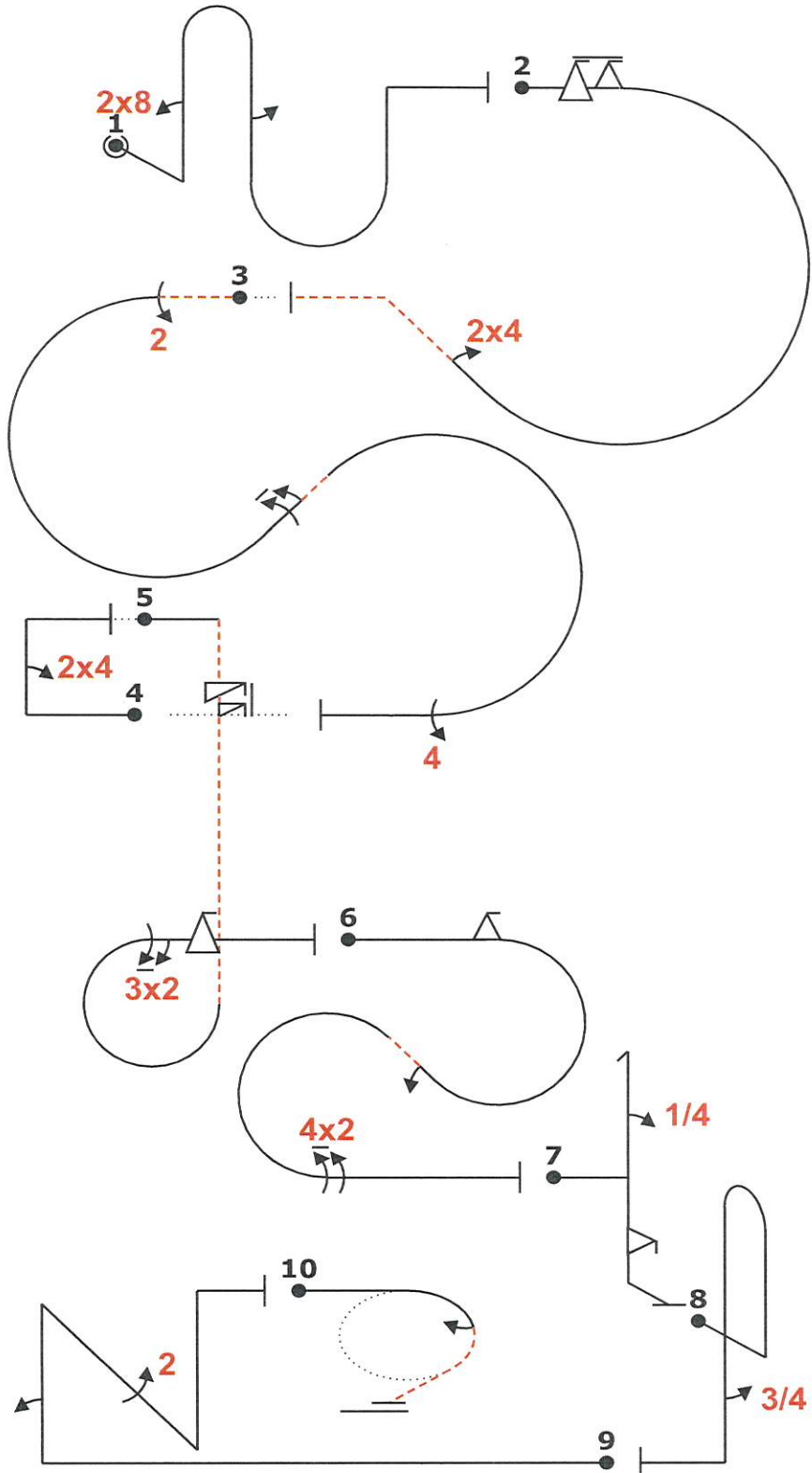


Fig	Grade	Pos	Remarks
1	.		
2	.		
3	.		
4	.		
5	.		
6	.		
7	.		
8	.		
9	.		
10	.		

Positioning  
 30

Too Low		Trg Violation	
Too High		Wing Rocks	
Interruptions		Disqual Fig	
Insertions		Other(note...)	

ej "@C" /8.bb( " 2) "@A" 18% 6fic" ,24 (1,0) 12% 22iac(" 6")44+  
 (-7,0) ~v' ,24 ~ (-2,0) "@B" 6s... 'irp,32,f 3% 2fiac(" 2')42+ "@E" ,4h2f b..3+  
 @D" ~++++++2pn(22') /1j5-

Fig 1 C	K	Fig 2 A	K	Fig 3	K	Fig 4	K	Fig 5 B	K	Fig 6	K	Fig 7 E	K	Fig 8	K	Fig 9 D	K	Fig 10	K
8.8.2.1	19	8.5.8.3	11	7.5.2.4	15	1.1.6.1	10	8.6.4.3	13	7.5.5.3	15	5.2.1.1	17	8.4.1.1	13	1.3.13.1	22	2.1.2.1	14
9.8.1.1	7	9.9.3.6	14	9.2.3.4	9	9.4.1.2	9	9.11.1.6	3	9.9.3.2	11	9.1.1.1	6	9.1.5.3	6	9.1.1.2	8		
9.1.5.2	4	9.4.2.2	7	9.1.2.6	12			9.2.3.6	12	9.1.2.2	6	9.9.5.2	11			9.2.4.4	9		
	30		32	9.4.3.4	11		19	9.9.3.4	11	9.2.3.8	15		34		19		39		14





CIVA Advanced 2022

Programme1 EAAC

Figure K

320

Total K

350

Judges Name

Signature

Number

Flight #

26

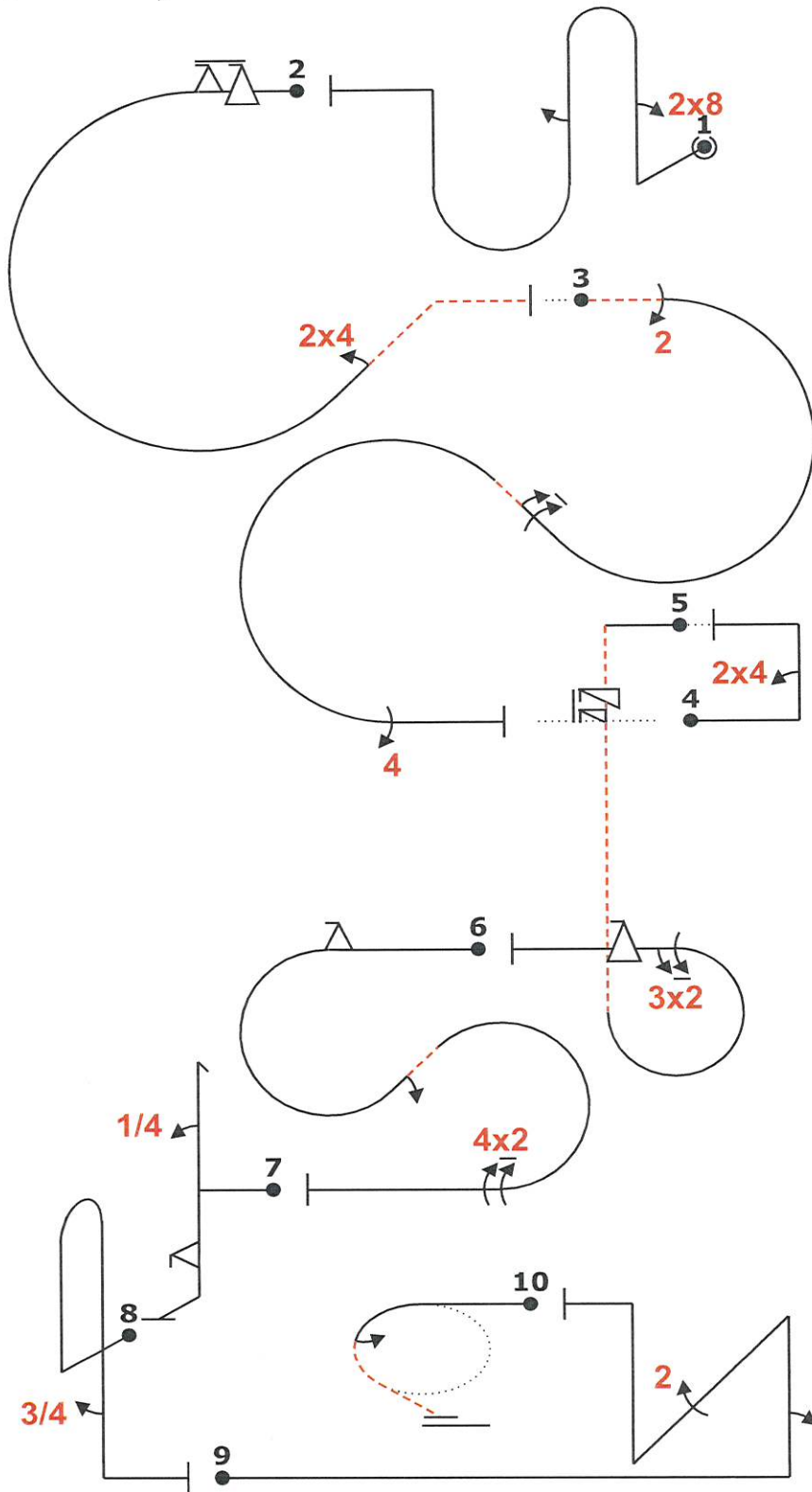


Fig	Grade	Pos	Remarks
1	.		
2	.		
3	.		
4	.		
5	.		
6	.		
7	.		
8	.		
9	.		
10	.		

Positioning

30

.

Too Low

Too High

Interruptions

Insertions

Trg Violation

Wing Rocks

Disqual Fig

Other(note...)

ej "@C" /8..bB(.....2) "@A" 18% .....6fic",24" .....(1,0) 12% .....22iac(" 6")44+  
 .....(-7,0) ~v ,24 ~ (-2,0) "@B" 6s... 'irp,32,f 3% .....2fiac(" 2")42+ ..... "@E",4h2f b..3+ "  
 @D" ~+++++2pn(22') /1j5-

Fig 1 C	K	Fig 2 A	K	Fig 3	K	Fig 4	K	Fig 5 B	K	Fig 6	K	Fig 7 E	K	Fig 8	K	Fig 9 D	K	Fig 10	K
8.8.2.1	19	8.5.8.3	11	7.5.2.4	15	1.1.6.1	10	8.6.4.3	13	7.5.5.3	15	5.2.1.1	17	8.4.1.1	13	1.3.13.1	22	2.1.2.1	14
9.8.1.1	7	9.9.3.6	14	9.2.3.4	9	9.4.1.2	9	9.11.1.6	3	9.9.3.2	11	9.1.1.1	6	9.1.5.3	6	9.1.1.2	8		
9.1.5.2	4	9.4.2.2	7	9.1.2.6	12			9.2.3.6	12	9.1.2.2	6	9.9.5.2	11			9.2.4.4	9		
	30		32	9.4.3.4	11		19	9.9.3.4	39	9.2.3.8	47		34		19		39		14



R

Figure K

320

Total K

350

Judges Name	
Signature	Number

Flight #  
**27**

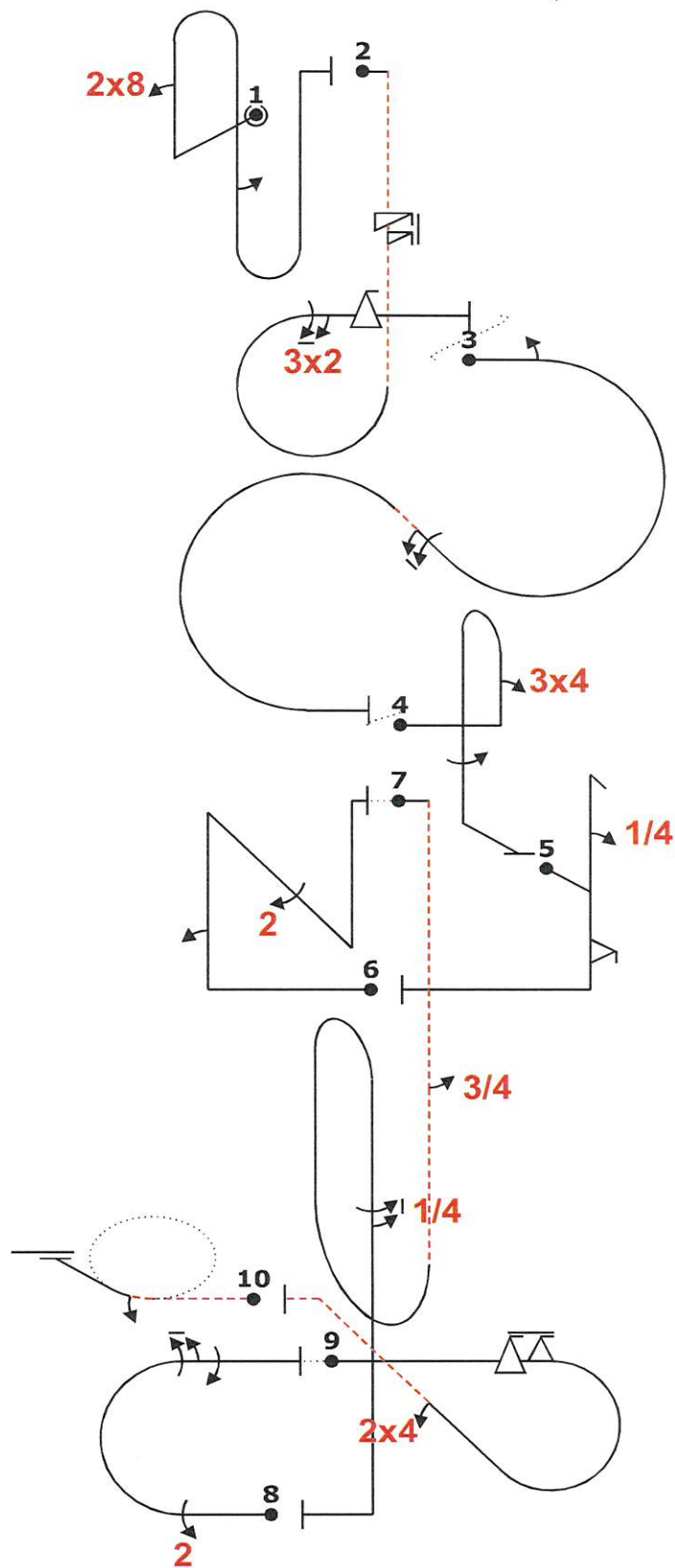


Fig	Grade	Pos	Remarks
1	.		
2	.		
3	.		
4	.		
5	.		
6	.		
7	.		
8	.		
9	.		
10	.		

Positioning	30	.
Too Low		Trg Violation
Too High		Wing Rocks
Interruptions		Disqual Fig
Insertions		Other(note...)

ej "@C" ~8''bb(2)..+ "" "@B" 2% "" +.'6sirr,32,f+ (-4,3) 10% ..... 2iac("6'')+ ..... (-2,1) /' ,34b.1 "@E" ,4h2f+ "" "@D" ++2''pn(,22')+ ..... (-2,0) 5% ..... +...'3...'ibb(' ..... )'5...+'' 3% 22m6 ,1 (-2,0) "@A" 1% ..... 6fic.24- -ljo5>

Fig 1 C	K	Fig 2 B	K	Fig 3	K	Fig 4	K	Fig 5 E	K	Fig 6 D	K	Fig 7	K	Fig 8	K	Fig 9 A	K	Fig 10	K
8.8.2.1	19	8.6.4.3	13	7.5.5.3	15	8.4.1.1	13	5.2.1.1	17	1.3.13.1	22	8.8.8.3	19	7.2.2.1	6	8.5.8.3	11	2.1.2.4	15
9.8.1.1	7	9.11.1.6	3	9.1.3.2	4	9.4.1.3	12	9.1.1.1	6	9.1.1.2	8	9.1.5.3	6	9.2.3.4	9	9.9.3.6	14		
9.1.5.2	4	9.2.3.6	12	9.1.2.6	12	9.1.5.4	8	9.9.5.2	11	9.2.4.4	9	9.1.5.5	9	9.1.3.6	10	9.4.2.2	7		
		9.9.3.4	11											9.1.3.4	8				
	<b>30</b>		<b>39</b>		<b>31</b>		<b>33</b>		<b>34</b>		<b>39</b>		<b>34</b>		<b>33</b>		<b>32</b>		<b>15</b>

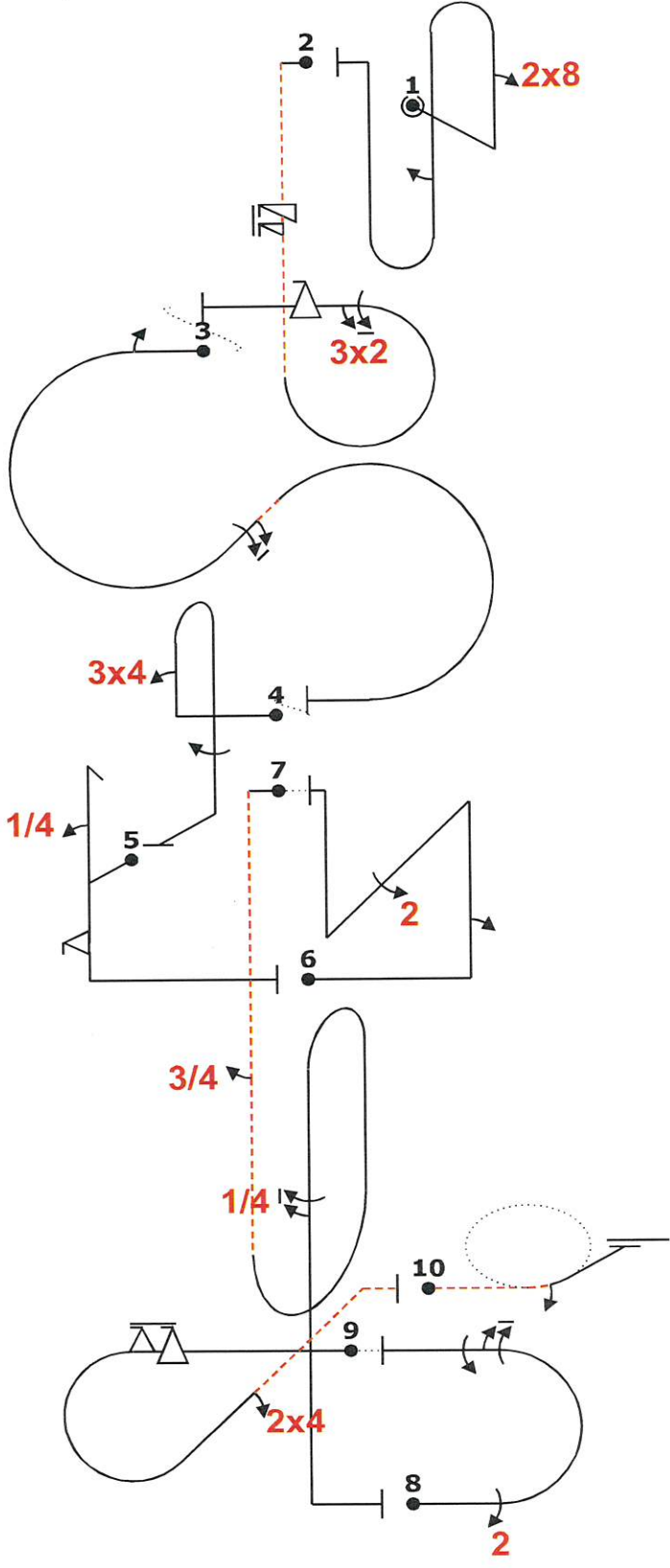


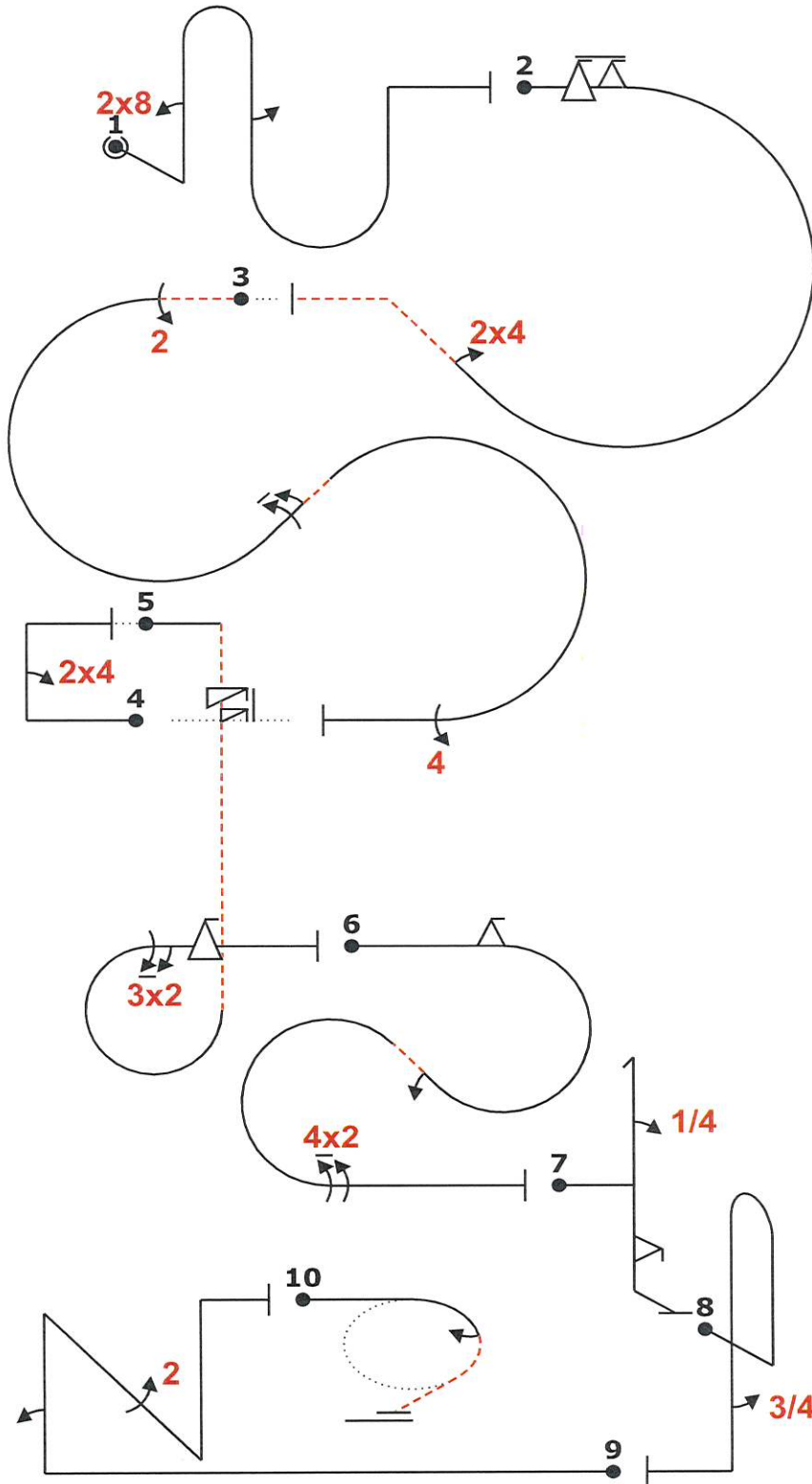
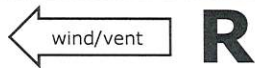
Fig	Grade	Pos	Remarks
1	.		
2	.		
3	.		
4	.		
5	.		
6	.		
7	.		
8	.		
9	.		
10	.		

Positioning  
**30**

Too Low		Trg Violation	
Too High		Wing Rocks	
Interruptions		Disqual Fig	
Insertions		Other(note...)	

ej "@C" ~8''bb(2)...+''@B" 2% .....+.'6sirr,32,f+ (-4,3) 10% .....2iac(''6'')+ ..... (-2,1) /'...',34b.1 "BE",4h2f+...~' "@D" ++2''pn(,22')+ ..... (-2,0) 5% .....+...'13...'ibb(''.....)'5...+ 3% 22m6 ,1 (-2,0) "@A" 1% .....6fic.24...-1jo5>

Fig 1 C	K	Fig 2 B	K	Fig 3	K	Fig 4	K	Fig 5 E	K	Fig 6 D	K	Fig 7	K	Fig 8	K	Fig 9 A	K	Fig 10	K
8.8.2.1	19	8.6.4.3	13	7.5.5.3	15	8.4.1.1	13	5.2.1.1	17	1.3.13.1	22	8.8.8.3	19	7.2.2.1	6	8.5.8.3	11	2.1.2.4	15
9.8.1.1	7	9.1.1.1.6	3	9.1.3.2	4	9.4.1.3	12	9.1.1.1	6	9.1.1.2	8	9.1.5.3	6	9.2.3.4	9	9.9.3.6	14		
9.1.5.2	4	9.2.3.6	12	9.1.2.6	12	9.1.5.4	8	9.9.5.2	11	9.2.4.4	9	9.1.5.5	9	9.1.3.6	10	9.4.2.2	7		
		9.9.3.4	11											9.1.3.4	8				
	<b>30</b>		<b>39</b>		<b>31</b>		<b>33</b>		<b>34</b>		<b>39</b>		<b>34</b>		<b>33</b>		<b>32</b>		<b>15</b>



ej "@C" /8.bB(" 2) "@A" 18% .....6fic",24" ..... (1,0) 12% ..... 22iac(" 6")44+ ..... (-7,0) ~~~v",24"~ (-2,0) "@B" 6s... 'irp,32,f 3% ..... 2fiac(" 2)42+ ..... "@E" ,4h2f b..3+ " @D" ~~~~~+2pn(22') /1j5-

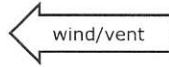
Fig	Grade	Pos	Remarks
1	.		
2	.		
3	.		
4	.		
5	.		
6	.		
7	.		
8	.		
9	.		
10	.		

Positioning 30 .

Too Low		Trg Violation	
Too High		Wing Rocks	
Interruptions		Disqual Fig	
Insertions		Other(note...)	

Fig 1 C	K	Fig 2 A	K	Fig 3	K	Fig 4	K	Fig 5 B	K	Fig 6	K	Fig 7 E	K	Fig 8	K	Fig 9 D	K	Fig 10	K
8.8.2.1	19	8.5.8.3	11	7.5.2.4	15	1.1.6.1	10	8.6.4.3	13	7.5.5.3	15	5.2.1.1	17	8.4.1.1	13	1.3.13.1	22	2.1.2.1	14
9.8.1.1	7	9.9.3.6	14	9.2.3.4	9	9.4.1.2	9	9.11.1.6	3	9.9.3.2	11	9.1.1.1	6	9.1.5.3	6	9.1.1.2	8		
9.1.5.2	4	9.4.2.2	7	9.1.2.6	12			9.2.3.6	12	9.1.2.2	6	9.9.5.2	11			9.2.4.4	9		
	30		32	9.4.3.4	11		19	9.9.3.4	11	9.2.3.8	15		34		19		39		14





**R**

Figure K  
320  
Total K  
350

Judges Name	
Signature	Number

Flight #  
**29**

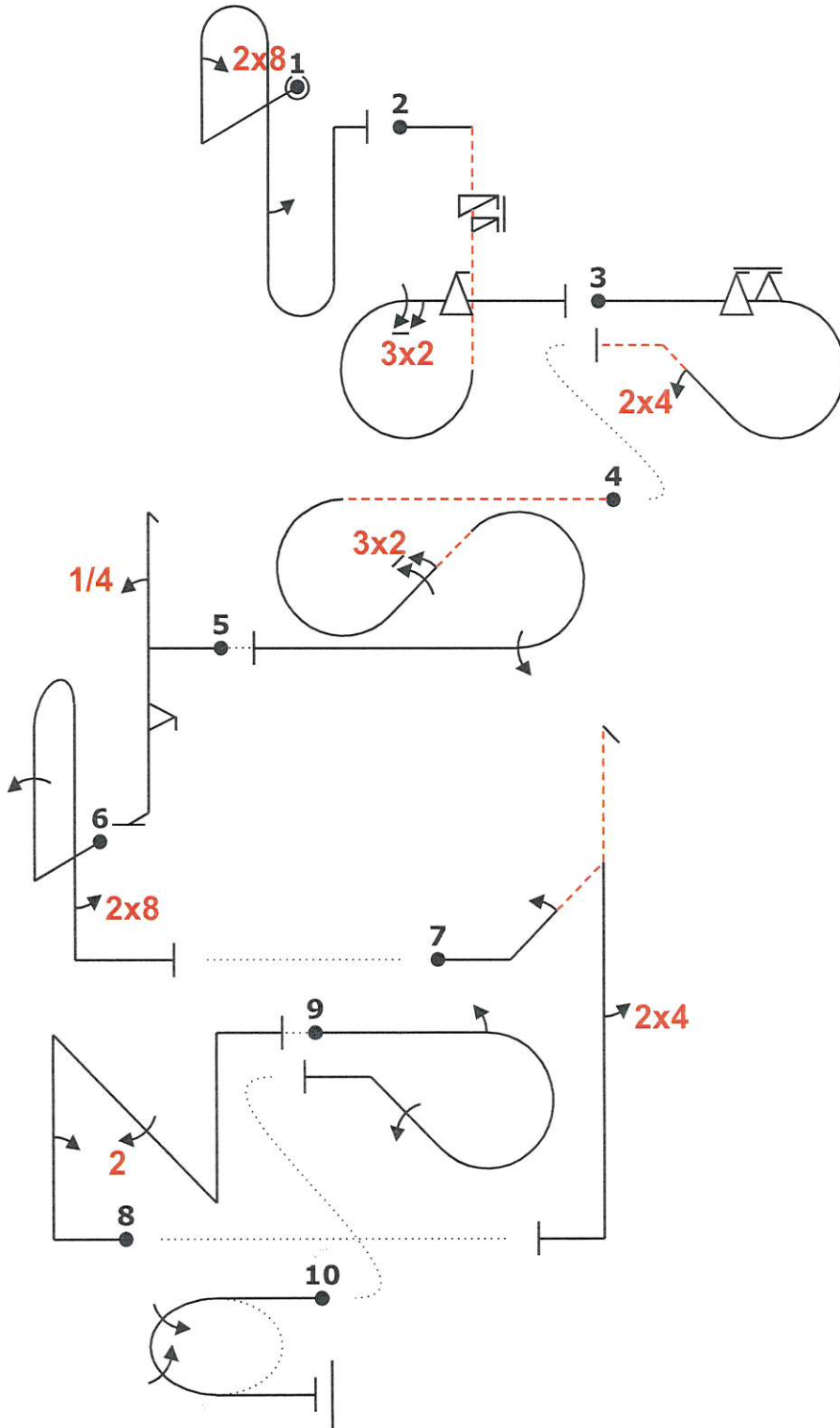


Fig	Grade	Pos	Remarks
1	.		
2	.		
3	.		
4	.		
5	.		
6	.		
7	.		
8	.		
9	.		
10	.		

Positioning  
30

Too Low		Trg Violation	
Too High		Wing Rocks	
Interruptions		Disqual Fig	
Insertions		Other(note...)	

ej "@C" +,8bb(2).+ ..... "@B" 6sirr,32,f "@A" ..... 6fic'24' ..... (5,9) -iac(32)1 (2,0) "@E" 4h2F.+ " 1'b..8" (12,0) 2dh.. "24..... (-21,0) "@D" ..... ,2pn(,22'') (-2,0) "2ic1" ..... (5,13) 2j2

Fig 1 C	K	Fig 2 B	K	Fig 3 A	K	Fig 4	K	Fig 5 E	K	Fig 6	K	Fig 7	K	Fig 8 D	K	Fig 9	K	Fig 10	K
8.8.2.1	19	8.6.4.3	13	8.5.8.3	11	7.5.2.4	15	5.2.1.1	17	8.4.1.1	13	5.3.2.1	24	1.3.13.1	22	8.5.7.3	10	2.2.5.1	22
9.8.1.1	7	9.11.1.6	3	9.9.3.6	14	9.2.2.6	14	9.1.1.1	6	9.1.1.4	12	9.1.2.2	6	9.1.1.2	8	9.1.3.2	4		
9.1.5.2	4	9.2.3.6	12	9.4.2.2	7	9.1.3.4	8	9.9.5.2	11	9.8.5.1	3	9.4.5.2	5	9.2.4.4	9	9.1.2.4	10		
	<b>30</b>	9.9.3.4	11		<b>32</b>		<b>37</b>		<b>34</b>		<b>28</b>		<b>35</b>		<b>39</b>		<b>24</b>		<b>22</b>



CIVA

Advanced 16-24.09.2022

Programme 1

EAAC

Figure K

320

Total K

350

Judges Name	
Signature	Number

Flight #  
**29**

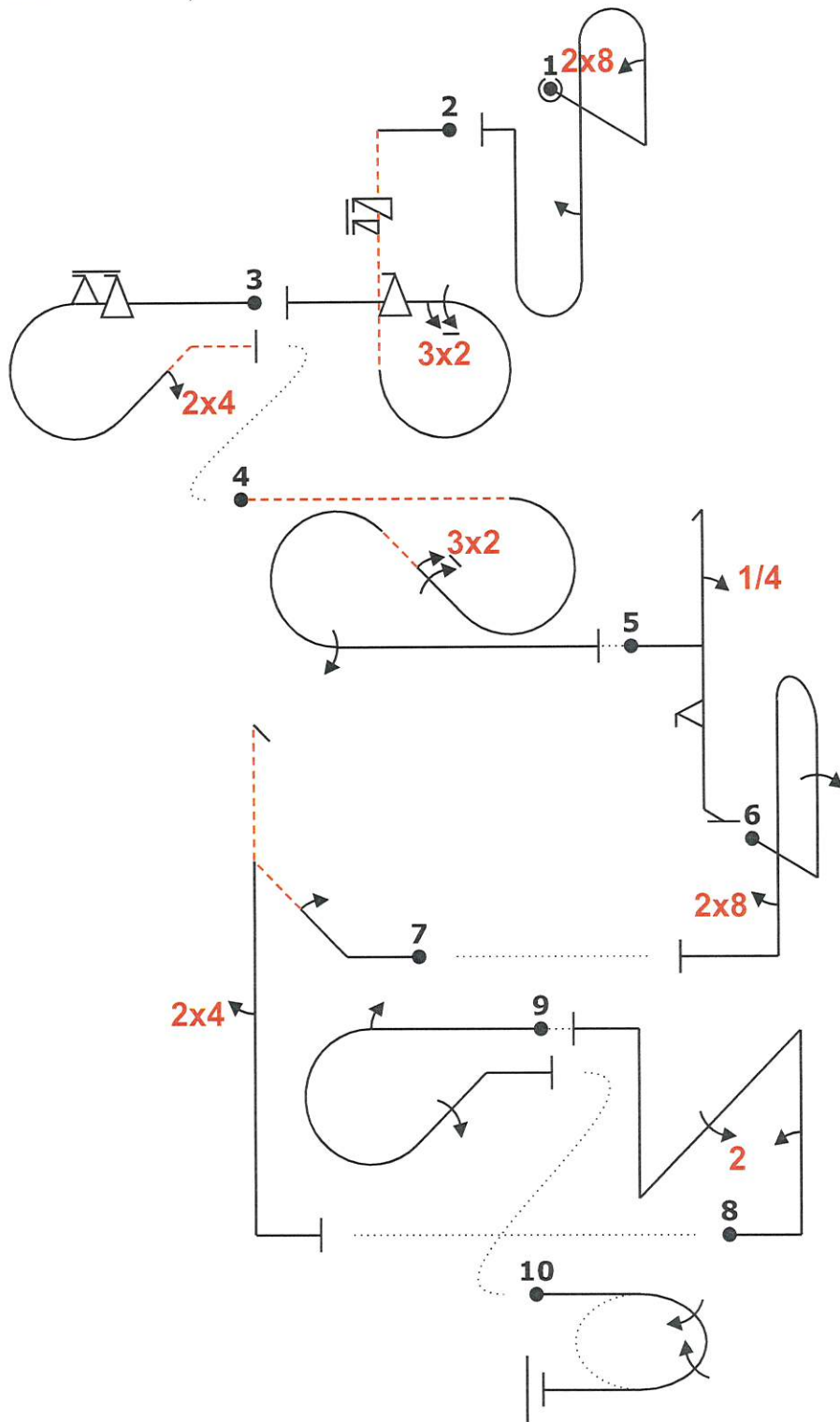


Fig	Grade	Pos	Remarks
1	.		
2	.		
3	.		
4	.		
5	.		
6	.		
7	.		
8	.		
9	.		
10	.		

Positioning  
**30**

Too Low		Trg Violation	
Too High		Wing Rocks	
Interruptions		Disqual Fig	
Insertions		Other(note...)	

ej "@C" +,8bb(2).+ "" "@B" 6sirp,32,f "@A" .....6fic'24"..... (5,9) -iac(32)1 (2,0) "@E" 4h2f.+ " 1'b..8" (12,0) 2dh..'24..... (-21,0) "@0" '.,2pn(.,22") (-2,0) '2ic1..... (5,13) 2j2

Fig 1 C	K	Fig 2 B	K	Fig 3 A	K	Fig 4	K	Fig 5 E	K	Fig 6	K	Fig 7	K	Fig 8 D	K	Fig 9	K	Fig 10	K
8.8.2.1	19	8.6.4.3	13	8.5.8.3	11	7.5.2.4	15	5.2.1.1	17	8.4.1.1	13	5.3.2.1	24	1.3.13.1	22	8.5.7.3	10	2.2.5.1	22
9.8.1.1	7	9.11.1.6	3	9.9.3.6	14	9.2.2.6	14	9.1.1.1	6	9.1.1.4	12	9.1.2.2	6	9.1.1.2	8	9.1.3.2	4		
9.1.5.2	4	9.2.3.6	12	9.4.2.2	7	9.1.3.4	8	9.9.5.2	11	9.8.5.1	3	9.4.5.2	5	9.2.4.4	9	9.1.2.4	10		
	<b>30</b>	9.9.3.4	<b>39</b>		<b>32</b>		<b>37</b>		<b>34</b>		<b>28</b>		<b>35</b>		<b>39</b>		<b>24</b>		<b>22</b>

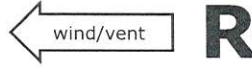


Figure K  
320  
Total K  
350

Judges Name	
Signature	Number

Flight #  
**30**

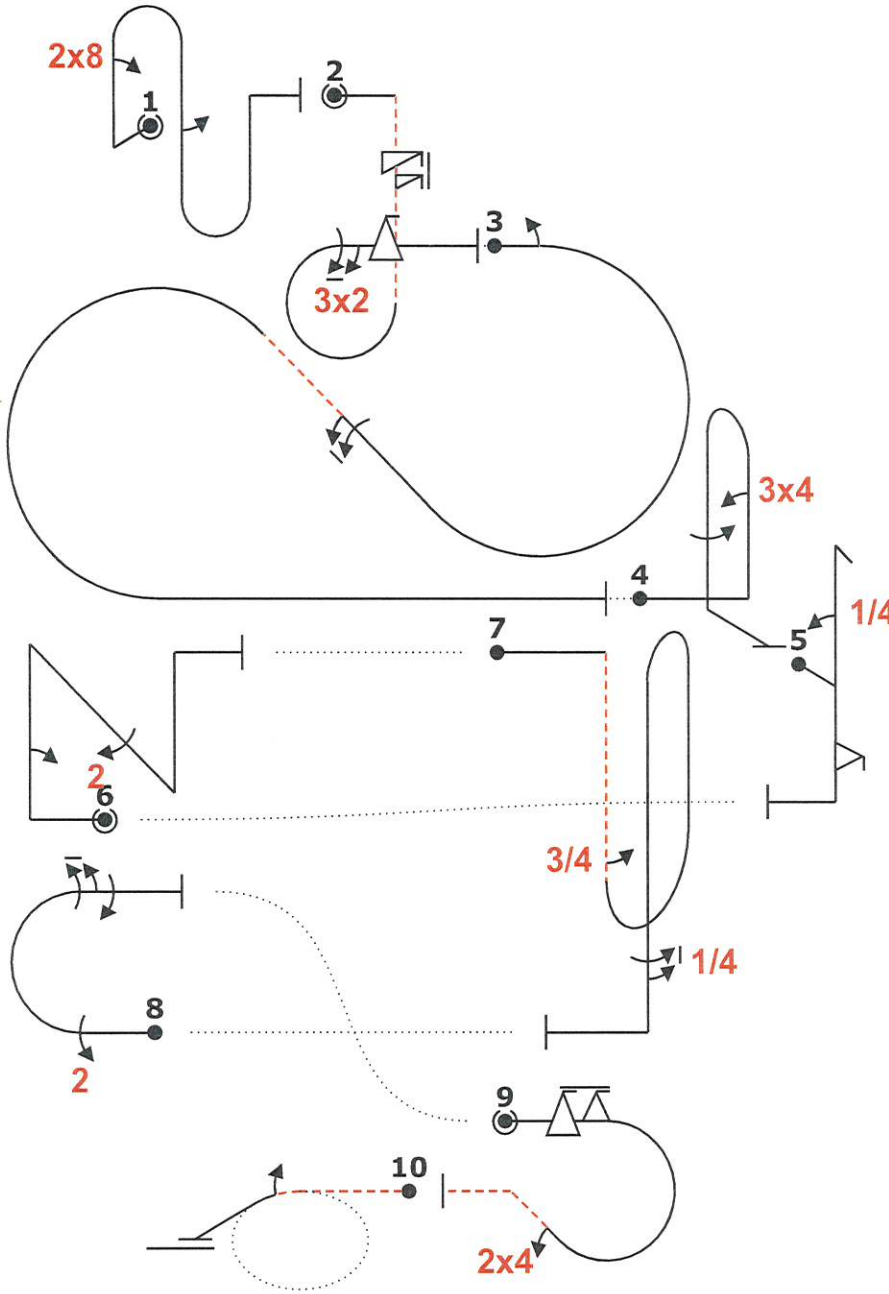


Fig	Grade	Pos	Remarks
1	.		
2	.		
3	.		
4	.		
5	.		
6	.		
7	.		
8	.		
9	.		
10	.		

Positioning  
**30**

Too Low		Trg Violation	
Too High		Wing Rocks	
Interruptions		Disqual Fig	
Insertions		Other(note...)	

ej "@C" ... "8bb( ... )" eu "@B" -2% 6sirr,32,f (-3,0) 12% ... 2iac(6)+ ... (-2,0) /" "34b1  
" @E" + "4h2f (-35,1) ed "@0" /,2pn(,22) " (11,0) ... "3iBb( ... ) ... "5" (-19,0) 22m6,1 (15,13) eu "@A"  
6fic ... 24 ... -1jo5

Fig 1 C	K	Fig 2 B	K	Fig 3	K	Fig 4	K	Fig 5 E	K	Fig 6 D	K	Fig 7	K	Fig 8	K	Fig 9 A	K	Fig 10	K
8.8.2.1	19	8.6.4.3	13	7.5.5.3	15	8.4.1.1	13	5.2.1.1	17	1.3.13.1	22	8.8.8.3	19	7.2.2.1	6	8.5.8.3	11	2.1.2.4	15
9.8.1.1	7	9.11.1.6	3	9.1.3.2	4	9.4.1.3	12	9.1.1.1	6	9.1.1.2	8	9.1.5.3	6	9.2.3.4	9	9.9.3.6	14		
9.1.5.2	4	9.2.3.6	12	9.1.2.6	12	9.1.5.4	8	9.9.5.2	11	9.2.4.4	9	9.1.5.5	9	9.1.3.6	10	9.4.2.2	7		
		9.9.3.4	11											9.1.3.4	8				
	<b>30</b>		<b>39</b>		<b>31</b>		<b>33</b>		<b>34</b>		<b>39</b>		<b>34</b>		<b>33</b>		<b>32</b>		<b>15</b>





CIVA Advanced  
Programme1

Figure K  
320  
Total K  
350

Judges Name  
Signature Number

Flight #  
**30**

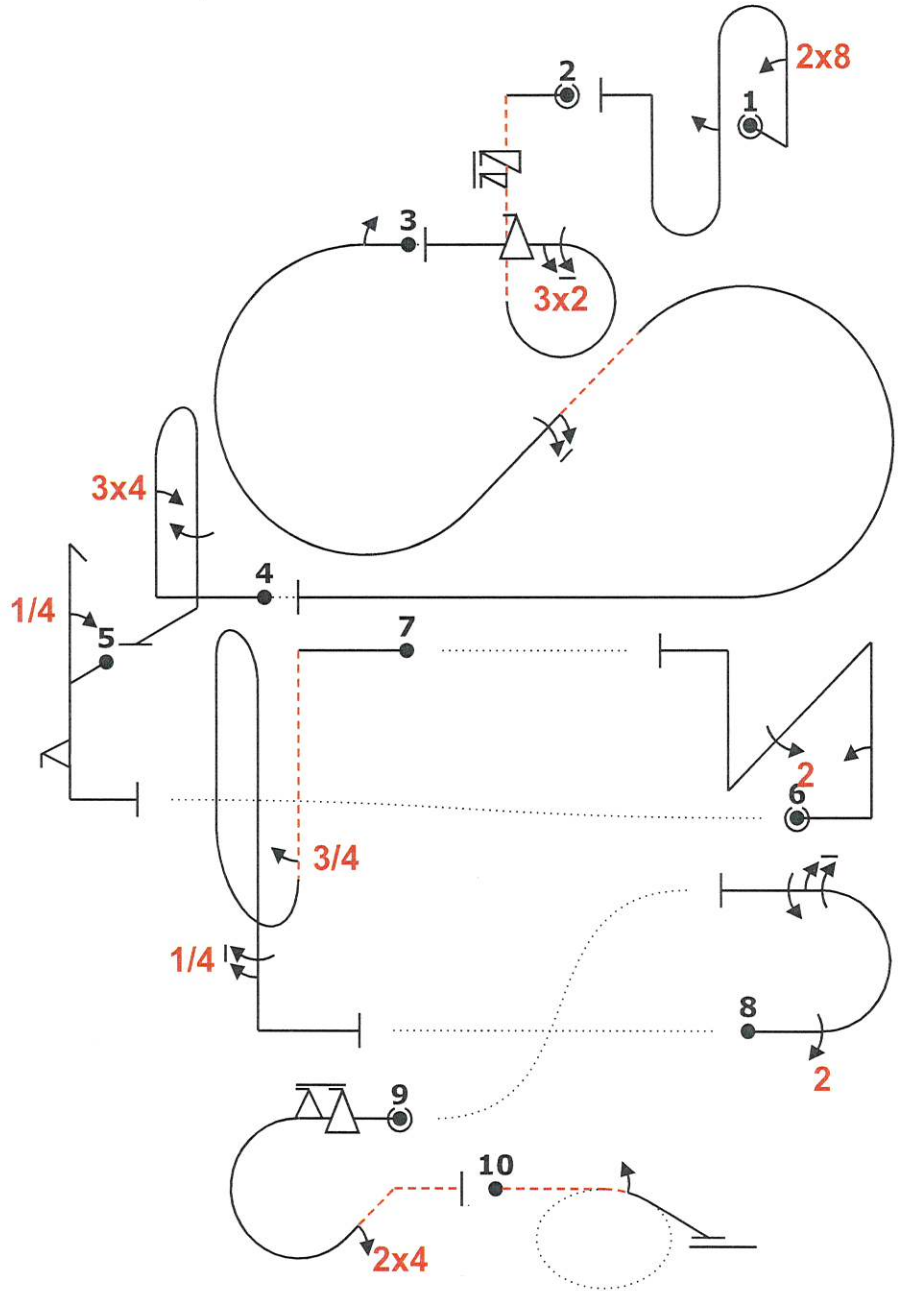
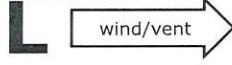


Fig	Grade	Pos	Remarks
1	.		
2	.		
3	.		
4	.		
5	.		
6	.		
7	.		
8	.		
9	.		
10	.		

Positioning  
30

Too Low		Trg Violation	
Too High		Wing Rocks	
Interruptions		Disqual Fig	
Insertions		Other(note...)	

ej "@C" ... eu "@B" -2% 6snp,32,F (-3,0) 12% ... 2iac(6)+ ... (-2,0) /"34b1  
"@E" ... /,2pn(.22) ... (11,0) ... "318b ... "5" (-19,0) 22m6,1 (15,13) eu "@A"  
6Fic ... 24 ... -1j05

Fig 1 C	K	Fig 2 B	K	Fig 3	K	Fig 4	K	Fig 5 E	K	Fig 6 D	K	Fig 7	K	Fig 8	K	Fig 9 A	K	Fig 10	K
8.8.2.1	19	8.6.4.3	13	7.5.5.3	15	8.4.1.1	13	5.2.1.1	17	1.3.13.1	22	8.8.8.3	19	7.2.2.1	6	8.5.8.3	11	2.1.2.4	15
9.8.1.1	7	9.11.1.6	3	9.1.3.2	4	9.4.1.3	12	9.1.1.1	6	9.1.1.2	8	9.1.5.3	6	9.2.3.4	9	9.9.3.6	14		
9.1.5.2	4	9.2.3.6	12	9.1.2.6	12	9.1.5.4	8	9.9.5.2	11	9.2.4.4	9	9.1.5.5	9	9.1.3.6	10	9.4.2.2	7		
		9.9.3.4	11											9.1.3.4	8				
	<b>30</b>		<b>31</b>		<b>31</b>		<b>33</b>		<b>34</b>		<b>39</b>		<b>34</b>		<b>33</b>		<b>32</b>		<b>15</b>